

NOTES UNLESS OTHERWISE SPECIFIED

- 1 ARTWORK PLACEMENT 1:1
- 2 DO NOT SCALE DRAWING
- 3 LASER ETCHED GRAPHIC
- 4 CENTER ARTWORK OVER CENTER LINES
- 5 POSITION TOLERANCE $\pm 0.2\text{MM}$
- 6 SN:

Model Number(FC1)+Year+Month+ID

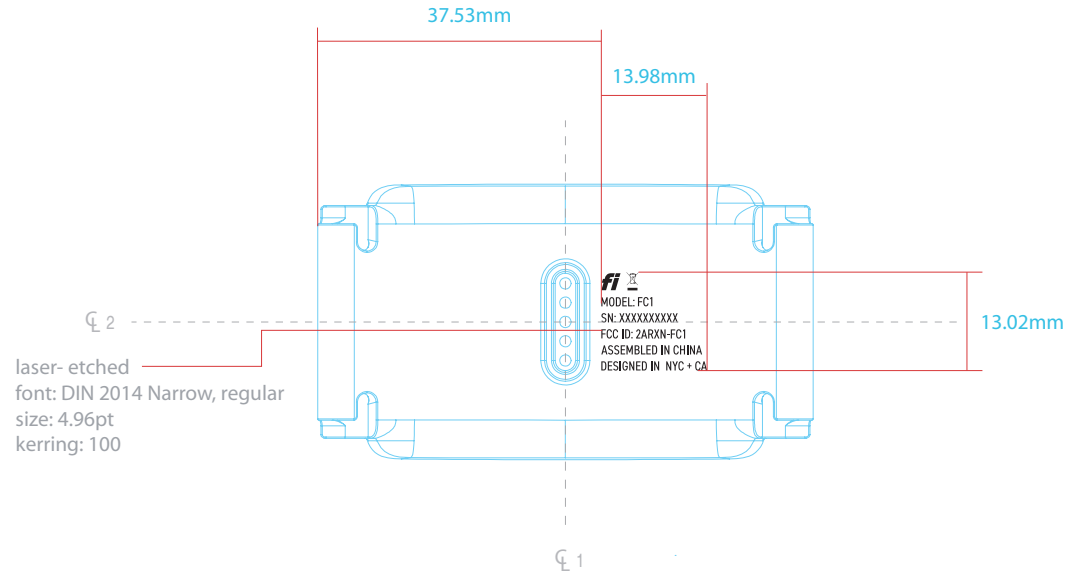
<Year>: Single digit representing the year. e.g., 2018 => 8, 2019 => 9, 2020 => 0

<Month>: Single letter representing the month (skip over letter I). e.g., January => A, February => B, September => J, etc.

<ID>: Sequential ID for each unit. If possible, please start counting from a random number for each new month.

Example Serial Numbers:

Fi Module produced in May 2019: FC19E52648



BARKING LABS, ARTWORK, MODULE, BACK CASE

2019.02.11

					Inventec Appliances (Jiangning) Corporation				MODEL DN0101ABUS0B	
4					MAT'L	FINISH	Q'TY	VIEW DIRECTION 	DRAW NAME	
3				過程label						
2					UNIT	SCALE	APPROVAL	CHECK	DESIGN Shiyan 2018.12.07	FILE NO. DN0101E71
1										
NO.	DESCRIPTION	DESIGN	CHECK	DATE						