



RF TEST REPORT

Applicant	Veea Inc.
FCC ID	2ARXK201906DB926A
Product	Veeahub Connect 4G
Brand	Veea (Note the case of letters)
Model	DB926-A
Marketing	Veeahub Connect 4G
Report No.	R1906A0291-R2V1
Issue Date	July 18, 2019

TA Technology (Shanghai) Co., Ltd. tested the above equipment in accordance with the requirements in **FCC CFR47 Part 2 (2018)/ FCC CFR 47 Part 24E (2018)**. The test results show that the equipment tested is capable of demonstrating compliance with the requirements as documented in this report.

Performed by: Peng Tao

Approved by: Kai Xu

TA Technology (Shanghai) Co., Ltd.

No.145, Jintang Rd, Tangzhen Industry Park, Pudong Shanghai, China

TEL: +86-021-50791141/2/3

FAX: +86-021-50791141/2/3-8000



TABLE OF CONTENT

- 1. Test Laboratory4
 - 1.1. Notes of the test report.....4
 - 1.2. Test facility.....4
 - 1.3. Testing Location5
- 2. General Description of Equipment under Test.....6
- 3. Applied Standards.....7
- 4. Test Configuration.....8
- 5. Test Case Results.....9
 - 5.1. RF Power Output.....9
 - 5.2. Effective Isotropic Radiated Power 12
 - 5.3. Radiates Spurious Emission 16
- 6. Main Test Instruments21
- ANNEX A: EUT Appearance and Test Setup.....22

Summary of measurement results

No.	Test Case	Clause in FCC rules	Verdict
1	RF power output	2.1046	Refer to Report No.: RKS160908001-00A
2	Effective Isotropic Radiated power	24.232(c)	PASS
3	Occupied Bandwidth	2.1049	Refer to Report No.: RKS160908001-00A
4	Band Edge Compliance	2.1051 /24.238(a)	Refer to Report No.: RKS160908001-00A
5	Peak-to-Average Power Ratio	24.232/KDB 971168 D01(5.7)	Refer to Report No.: RKS160908001-00A
6	Frequency Stability	2.1055 / 24.235	Refer to Report No.: RKS160908001-00A
7	Spurious Emissions at Antenna Terminals	2.1051 / 24.238(a)	Refer to Report No.: RKS160908001-00A
8	Radiates Spurious Emission	2.1053 / 24.238(a)	PASS
Note: PASS: The EUT complies with the essential requirements in the standard. FAIL: The EUT does not comply with the essential requirements in the standard.			
Date of Testing: June 17, 2019~ July 5, 2019			

According to the power of the sampling test, the test architecture is identical to the module report, so this report refers to the module report (Report No.: RKS160908001-00A) except EIRP and RSE.



1. Test Laboratory

1.1. Notes of the test report

This report shall not be reproduced in full or partial, without the written approval of **TA technology (shanghai) co., Ltd.** The results documented in this report apply only to the tested sample, under the conditions and modes of operation as described herein. Measurement Uncertainties were not taken into account and are published for informational purposes only. This report is written to support regulatory compliance of the applicable standards stated above.

1.2. Test facility

FCC (Designation number: CN1179, Test Firm Registration Number: 446626)

TA Technology (Shanghai) Co., Ltd. has been listed on the US Federal Communications Commission list of test facilities recognized to perform electromagnetic emissions measurements.

IC (recognition number is 8510A)

TA Technology (Shanghai) Co., Ltd. has been listed by industry Canada to perform electromagnetic emission measurement.

VCCI (recognition number is C-4595, T-2154, R-4113, G-10766)

TA Technology (Shanghai) Co., Ltd. has been listed by industry Japan to perform electromagnetic emission measurement.

A2LA (Certificate Number: 3857.01)

TA Technology (Shanghai) Co., Ltd. has been listed by American Association for Laboratory Accreditation to perform electromagnetic emission measurement.



1.3. Testing Location

Company: TA Technology (Shanghai) Co., Ltd.
Address: No.145, Jintang Rd, Tangzhen Industry Park, Pudong
City: Shanghai
Post code: 201201
Country: P. R. China
Contact: Xu Kai
Telephone: +86-021-50791141/2/3
Fax: +86-021-50791141/2/3-8000
Website: <http://www.ta-shanghai.com>
E-mail: xukai@ta-shanghai.com

2. General Description of Equipment under Test

Client Information

Applicant	Veea Inc.
Applicant address	164 E 83rd Street, New York, USA
Manufacturer	Veea Inc.
Manufacturer address	164 E 83rd Street, New York, USA

General information

EUT Description			
Model	DB926-A		
IMEI	/		
Hardware Version	DB926-A V1.00		
Software Version	EC25AFAR05A05M4G		
Power Supply	External Power Supply		
Antenna Type	External Antenna		
Antenna Gain	3.4dBi		
Test Mode(s)	WCDMA Band II; LTE Band 2;		
Test Modulation	(WCDMA) BPSK, QPSK,16QAM; (LTE)QPSK,16QAM		
Maximum E.I.R.P	WCDMA Band II:	26.25 dBm	
	LTE Band 2:	25.82 dBm	
Extreme Temperature	Lowest: 0°C Highest: +50°C		
Operating Frequency Range(s)	Band	Tx (MHz)	Rx (MHz)
	WCDMA Band II	1850 ~ 1910	1930 ~ 1990
	LTE Band 2	1850 ~ 1910	1930 ~ 1990
Note: 1. The information of the EUT is declared by the manufacturer.			



3. Applied Standards

According to the specifications of the manufacturer, it must comply with the requirements of the following standards:

FCC CFR47 Part 2 (2018)

FCC CFR 47 Part 24E (2018)

ANSI C63.26 (2015)

KDB 971168 D01 Power Meas License Digital Systems v03r01

4. Test Configuration

Radiated measurements are performed by rotating the EUT in three different orthogonal test planes. EUT stand-up position (Z axis), lie-down position (X, Y axis). Receiver antenna polarization (horizontal and vertical), the worst emission was found in position (X axis, horizontal polarization) and the worst case was recorded.

All mode and data rates and positions and RB size and modulations were investigated. Subsequently, only the worst case emissions are reported. The following testing in WCDMA/LTE is set based on the maximum RF Output Power.

Test modes are chosen to be reported as the worst case configuration below:

Test items	Modes/Modulation
	WCDMA Band II
RF power output	RMC HSDPA/HSUPA/HSPA+
Effective Isotropic Radiated power	RMC
Radiates Spurious Emission	RMC

Test modes are chosen to be reported as the worst case configuration below for LTE Band 2:

Test items	Bandwidth (MHz)						Modulation		RB			Test Channel		
	1.4	3	5	10	15	20	QPSK	16QAM	1	50%	100%	L	M	H
RF power output	O	-	-	-	-	O	O	O	O	O	O	-	O	-
Effective Isotropic Radiated power	O	O	O	O	O	O	O	O	O	O	O	O	O	O
Radiates Spurious Emission	O	-	O	-	-	O	O	-	O	-	-	-	O	-
Note	1. The mark "O" means that this configuration is chosen for testing. 2. The mark "-" means that this configuration is not testing.													

5. Test Case Results

5.1.RF Power Output

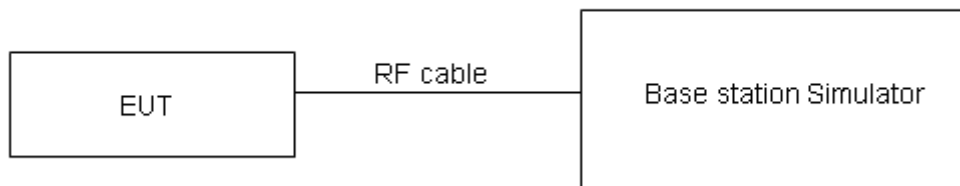
Ambient condition

Temperature	Relative humidity	Pressure
23°C ~25°C	45%~50%	101.5kPa

Methods of Measurement

During the process of the testing, The EUT is controlled by the Base Station Simulator to ensure max power transmission and proper modulation.

Test Setup



The loss between RF output port of the EUT and the input port of the tester has been taken into consideration.

Limits

No specific RF power output requirements in part 2.1046.

Measurement Uncertainty

The assessed measurement uncertainty to ensure 95% confidence level for the normal distribution is with the coverage factor $k = 2$, $U = 0.4$ dB.

**Test Results**

WCDMA Band II		Conducted Power(dBm)		
		Channel 9262	Channel 9400	Channel 9538
		1852.4(MHz)	1880(MHz)	1907.6(MHz)
RMC	12.2k	22.92	22.90	22.91
HSDPA	Sub - Test 1	23.04	22.71	22.85
	Sub - Test 2	22.95	2.86	22.84
	Sub - Test 3	22.57	22.68	22.79
	Sub - Test 4	22.53	22.76	22.58
HSUPA	Sub - Test 1	22.68	22.86	22.84
	Sub - Test 2	22.76	22.64	22.63
	Sub - Test 3	22.65	22.48	22.68
	Sub - Test 4	22.83	22.66	22.45
	Sub - Test 5	22.73	22.67	22.52
HSPA+	16QAM	22.98	22.78	22.94

LTE Band 2				Conducted Power(dBm)		
Bandwidth	Modulation	RB size	RB offset	Channel/Frequency (MHz)		
				18607/1850.7	18900/1880	19193/1909.3
1.4MHz	QPSK	1	0	/	23.33	/
		1	2	/	23.43	/
		1	5	/	23.36	/
		3	0	/	23.10	/
		3	2	/	23.15	/
		3	3	/	23.22	/
	16QAM	6	0	/	22.14	/
		1	0	/	22.13	/
		1	2	/	22.11	/
		1	5	/	22.10	/
		3	0	/	22.05	/
		3	2	/	22.06	/
		3	3	/	22.09	/
6	0	/	21.17	/		
Bandwidth	Modulation	RB size	RB offset	Channel/Frequency (MHz)		
				18700/1860	18900/1880	19100/1900
20MHz	QPSK	1	0	/	23.46	/
		1	50	/	23.22	/
		1	99	/	23.24	/
		50	0	/	23.04	/
		50	25	/	23.01	/
		50	50	/	23.09	/
		100	0	/	22.61	/
	16QAM	1	0	/	22.13	/
		1	50	/	22.51	/
		1	99	/	22.35	/
		50	0	/	22.12	/
		50	25	/	22.13	/
		50	50	/	22.08	/
		100	0	/	21.14	/

5.2. Effective Isotropic Radiated Power

Ambient condition

Temperature	Relative humidity	Pressure
23°C ~25°C	45%~50%	101.5kPa

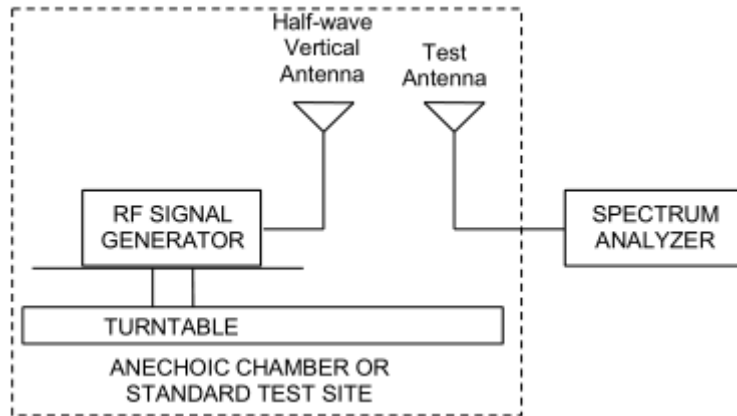
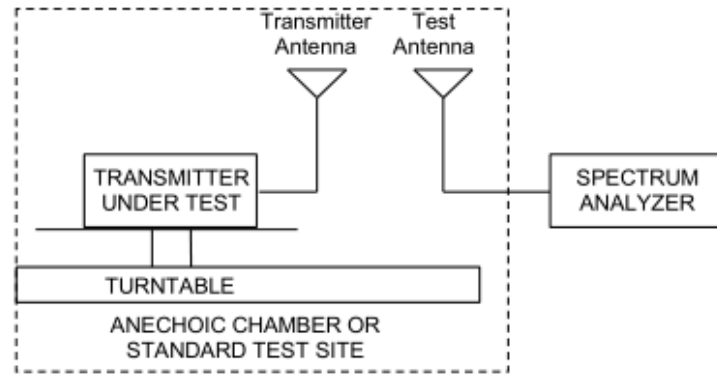
Methods of Measurement

The testing follows FCC KDB 971168 v03r01 Section 5.8 and ANSI C63.26 (2015).

- a) Connect the equipment as illustrated. Mount the equipment with the manufacturer specified antenna in a vertical orientation on a manufacturer specified mounting surface located on a non-conducting rotating platform of a RF anechoic chamber (preferred) or a standard radiation site.
- b) Key the transmitter, then rotate the EUT 360° azimuthally and record spectrum analyzer power level (LVL) measurements at angular increments that are sufficiently small to permit resolution of all peaks. If a standard radiation test site is used, raise and lower the test antenna to obtain a maximum reading at each angular increment. (Note: several batteries may be needed to offset the effect of battery voltage droop, which should not exceed 5% of the manufactured specified battery voltage during transmission).
- c) Replace the transmitter under test with a vertically polarized half-wave dipole (or an antenna whose gain is known relative to an ideal half-wave dipole). The center of the antenna should be at the same location as the center of the antenna under test.
- d) Connect the antenna to a signal generator with a known output power and record the path loss (in dB) as LOSS. If a standard radiation test site is used, raise and lower the test antenna to obtain a maximum reading. $LOSS = \text{Generator Output Power (dBm)} - \text{Analyzer reading (dBm)}$
- e) Determine the effective radiated output power at each angular position from the readings in steps b) and d) using the following equation: $ERP \text{ (dBm)} = \text{LVL (dBm)} + \text{LOSS (dB)}$
- f) The maximum ERP is the maximum value determined in the preceding step.
- g) When calculating ERP, in addition to knowing the antenna radiation and matching characteristics, it is necessary to know the loss values of all elements (e.g. transmission line attenuation, mismatches, filters, combiners) interposed between the point where transmitter output power is measured, and the point where power is applied to the antenna. ERP can then be calculated as follows:
 $EIRP \text{ (dBm)} = \text{Output Power (dBm)} - \text{Losses (dB)} + \text{Antenna Gain (dBi)}$
where: dBi refers to gain relative to an ideal dipole.
 $EIRP \text{ (dBm)} = ERP \text{ (dBm)} + 2.15 \text{ (dB)}$

The RB allocation refers to section 5.1, using the maximum output power configuration.

Test setup



Limits

Rule Part 24.232(c) Mobile and portable stations are limited to 2 watts EIRP.

Rule Part 24.232(e) Peak transmit power must be measured over any interval of continuous transmission using instrumentation calibrated in terms of an rms-equivalent voltage.

Limit	$\leq 2\text{ W}$ (33 dBm)
-------	----------------------------

Measurement Uncertainty

The assessed measurement uncertainty to ensure 95% confidence level for the normal distribution is with the coverage factor $k = 2$, $U = 1.19\text{ dB}$

Test Results:

The measurement is performed for both of horizontal and vertical antenna Polarization, and only the data of worst mode is recorded in this report.

Mode	Channel	Frequency (MHz)	Polarization	EIRP (dBm)	Limit (dBm)	Conclusion
WCDMA Band II	Low	1852.4	Horizontal	25.54	33	Pass
	Mid	1880	Horizontal	25.48	33	Pass
	High	1907.6	Horizontal	26.25	33	Pass

LTE Band 2						
bandwidth	Channel	Frequency (MHz)	Polarization	EIRP (dBm)	Limit (dBm)	Conclusion
1.4 MHz (QPSK)	Low	1850.7	Horizontal	25.35	33	Pass
	Mid	1880	Horizontal	25.17	33	Pass
	High	1909.3	Horizontal	25.82	33	Pass
3 MHz (QPSK)	Low	1851.5	Horizontal	25.23	33	Pass
	Mid	1880	Horizontal	25.43	33	Pass
	High	1908.5	Horizontal	25.51	33	Pass
5 MHz (QPSK)	Low	1852.5	Horizontal	25.34	33	Pass
	Mid	1880	Horizontal	25.49	33	Pass
	High	1907.5	Horizontal	25.41	33	Pass
10 MHz (QPSK)	Low	1855	Horizontal	25.46	33	Pass
	Mid	1880	Horizontal	25.42	33	Pass
	High	1905	Horizontal	25.62	33	Pass
15 MHz (QPSK)	Low	1857.5	Horizontal	25.57	33	Pass
	Mid	1880	Horizontal	25.51	33	Pass
	High	1902.5	Horizontal	25.43	33	Pass
20 MHz (QPSK)	Low	1860	Horizontal	25.37	33	Pass
	Mid	1880	Horizontal	25.29	33	Pass
	High	1900	Horizontal	25.37	33	Pass
1.4 MHz (16QAM)	Low	1850.7	Horizontal	24.76	33	Pass
	Mid	1880	Horizontal	24.67	33	Pass
	High	1909.3	Horizontal	25.34	33	Pass
3 MHz (16QAM)	Low	1851.5	Horizontal	24.68	33	Pass
	Mid	1880	Horizontal	24.91	33	Pass
	High	1908.5	Horizontal	25.03	33	Pass
5 MHz (16QAM)	Low	1852.5	Horizontal	24.84	33	Pass
	Mid	1880	Horizontal	24.92	33	Pass
	High	1907.5	Horizontal	24.87	33	Pass
10 MHz (16QAM)	Low	1855	Horizontal	24.98	33	Pass
	Mid	1880	Horizontal	24.76	33	Pass



LTE Band 2						
bandwidth	Channel	Frequency (MHz)	Polarization	EIRP (dBm)	Limit (dBm)	Conclusion
15 MHz (16QAM)	High	1905	Horizontal	25.14	33	Pass
	Low	1857.5	Horizontal	25.02	33	Pass
	Mid	1880	Horizontal	24.94	33	Pass
	High	1902.5	Horizontal	24.85	33	Pass
20 MHz (16QAM)	Low	1860	Horizontal	24.73	33	Pass
	Mid	1880	Horizontal	24.62	33	Pass
	High	1900	Horizontal	24.76	33	Pass

5.3. Radiates Spurious Emission

Ambient condition

Temperature	Relative humidity	Pressure
23°C ~25°C	45%~50%	101.5kPa

Method of Measurement

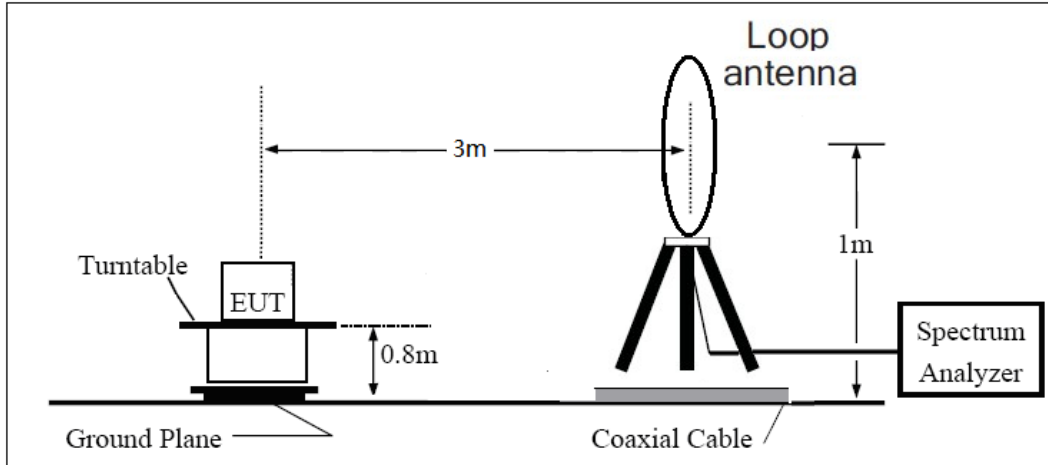
- The testing follows FCC KDB 971168 v03r01 Section 5.8 and ANSI C63.26 (2015).
- Below 1GHz: The EUT is placed on a turntable 0.8 meters above the ground in the chamber, 3 meter away from the antenna. The maximal emission value is acquired by adjusting the antenna height, polarisation and turntable azimuth. Normally, the height range of antenna is 1 m to 4 m, the azimuth range of turntable is 0° to 360°, and the receive antenna has two polarizations Vertical (V) and Horizontal (H). Above 1GHz: (Note: the FCC's permission to use 1.5m as an alternative per TCBC Conf call of Dec. 2, 2014.) The EUT is placed on a turntable 1.5 meters above the ground in the chamber, 3 meter away from the antenna. The maximal emission value is acquired by adjusting the antenna height, polarisation and turntable azimuth. Normally, the height range of antenna is 1 m to 4 m, the azimuth range of turntable is 0° to 360°, and the receive antenna has two polarizations Vertical (V) and Horizontal (H).
- A loop antenna, A log-periodic antenna or horn antenna shall be substituted in place of the EUT. The log-periodic antenna will be driven by a signal generator and the level will be adjusted till the same power value on the spectrum analyzer or receiver. The level of the spurious emissions can be calculated through the level of the signal generator, cable loss, the gain of the substitution antenna and the reading of the spectrum analyzer or receiver.
- The EUT is then put into continuously transmitting mode at its maximum power level during the test. Set Test Receiver or Spectrum RBW=200Hz,VBW=600Hz for 9kHz150kHz , RBW=10kHz, VBW=30kHz 150kHz-30MHz , RBW=100kHz,VBW=300kHz for 30MHz to 1GHz and RBW=1MHz, VBW=3MHz for above 1GHz, And the maximum value of the receiver should be recorded as (Pr).
- The EUT shall be replaced by a substitution antenna. In the chamber, an substitution antenna for the frequency band of interest is placed at the reference point of the chamber. An RF Signal source for the frequency band of interest is connected to the substitution antenna with a cable that has been constructed to not interfere with the radiation pattern of the antenna. A power (PMea) is applied to the input of the substitution antenna, and adjust the level of the signal generator output until the value of the receiver reach the previously recorded (Pr). The power of signal source (PMea) is recorded. The test should be performed by rotating the test item and adjusting the receiving antenna polarization.
- A amplifier should be connected to the Signal Source output port. And the cable should be connect between the Amplifier and the Substitution Antenna. The cable loss (Pcl) ,the Substitution Antenna Gain (Ga) and the Amplifier Gain (PAg) should be recorded after test.
- The measurement results are obtained as described below:
 $Power(EIRP)=PMea- PAg - Pcl + Ga$
 The measurement results are amend as described below:
 $Power(EIRP)=PMea- Pcl + Ga$
- This value is EIRP since the measurement is calibrated using an antenna of known gain (2.15 dBi)

and known input power. ERP can be calculated from EIRP by subtracting the gain of the dipole, $ERP = EIRP - 2.15\text{dBi}$.

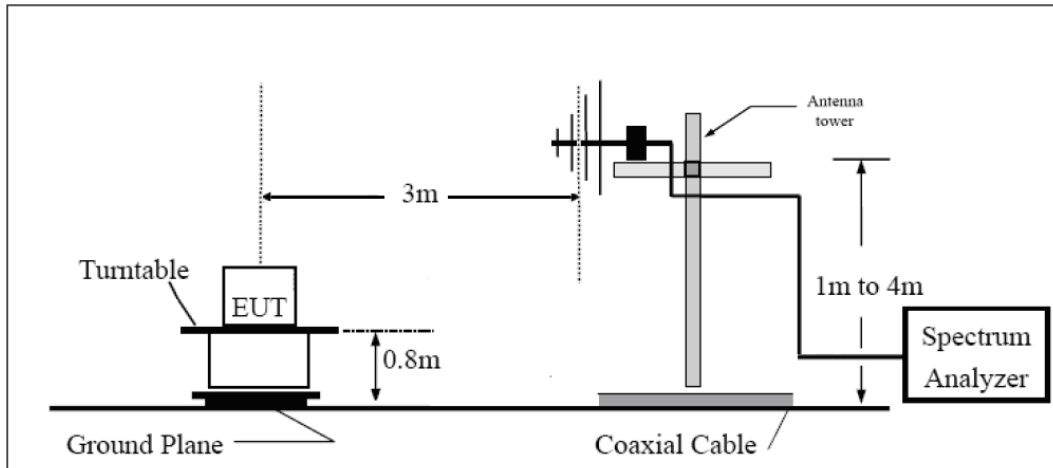
The modulation mode and RB allocation refer to section 5.1, using the maximum output power configuration.

Test setup

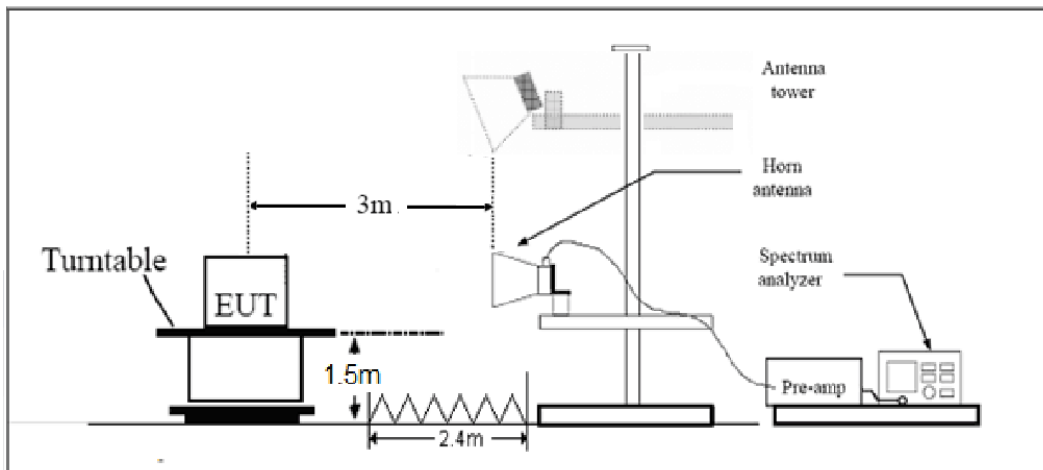
9KHz ~ 30MHz



30MHz ~ 1GHz



Above 1GHz





Note: Area side: 2.4mX3.6m

Limits

Rule Part 24.238(a) specifies that “on any frequency outside a licensee's frequency block, the power of any emission shall be attenuated below the transmitter power (P) by at least $43 + 10 \log_{10}(P)$ dB.”

Limit	-13 dBm
-------	---------

Measurement Uncertainty

The assessed measurement uncertainty to ensure 95% confidence level for the normal distribution is with the coverage factor $k = 1.96$, $U = 3.55$ dB.

Test Result

Sweep the whole frequency band through the range from 9kHz to the 10th harmonic of the carrier, the emissions below the noise floor will not be recorded in the report.

WCDMA Band II CH-Middle

Harmonic	Frequency (MHz)	SG (dBm)	Cable Loss (dB)	Gain (dBi)	Antenna Polarization	EIRP Level (dBm)	Limit (dBm)	Margin (dB)	Azimuth (deg)
2	3760.0	-64.92	5.10	11.05	Horizontal	-58.97	-13.00	45.97	180
3	5640.0	-52.68	5.42	12.65	Horizontal	-45.45	-13.00	32.45	225
4	7520.0	-57.08	6.70	13.85	Horizontal	-49.93	-13.00	36.93	270
5	9400.0	-55.59	7.01	14.75	Horizontal	-47.85	-13.00	34.85	0
6	11280.0	-51.42	7.48	15.95	Horizontal	-42.95	-13.00	29.95	180
7	13160.0	-54.13	7.51	16.55	Horizontal	-45.09	-13.00	32.09	90
8	15040.0	-51.95	8.24	15.35	Horizontal	-44.84	-13.00	31.84	135
9	16920.0	-50.48	8.41	14.95	Horizontal	-43.94	-13.00	30.94	45
10	18800.0	-	-	-	-	-	-	-	-

Note: 1.The other Spurious RF Radiated emissions level is no more than noise floor.
 2. The worst emission was found in the antenna is Horizontal position.

LTE Band 2 1.4MHz CH-Middle

Harmonic	Frequency (MHz)	SG (dBm)	Cable Loss (dB)	Gain (dBi)	Antenna Polarization	EIRP Level (dBm)	Limit (dBm)	Margin (dB)	Azimuth (deg)
2	3759.0	-61.10	5.10	11.05	Horizontal	-55.15	-13.00	42.15	90
3	5638.9	-49.86	5.42	12.65	Horizontal	-42.63	-13.00	29.63	45
4	7520.0	-51.31	6.70	13.85	Horizontal	-44.16	-13.00	31.16	135
5	9400.0	-54.59	7.01	14.75	Horizontal	-46.85	-13.00	33.85	180
6	11280.0	-51.64	7.48	15.95	Horizontal	-43.17	-13.00	30.17	315
7	13160.0	-55.40	7.51	16.55	Horizontal	-46.36	-13.00	33.36	45
8	15040.0	-51.43	8.24	15.35	Horizontal	-44.32	-13.00	31.32	225
9	16920.0	-50.84	8.41	14.95	Horizontal	-44.30	-13.00	31.30	0
10	18800.0	-	-	-	-	-	-	-	-

Note: 1.The other Spurious RF Radiated emissions level is no more than noise floor.
 2. The worst emission was found in the antenna is Horizontal position.

LTE Band 2 5MHz CH-Middle

Harmonic	Frequency (MHz)	SG (dBm)	Cable Loss (dB)	Gain (dBi)	Antenna Polarization	EIRP Level (dBm)	Limit (dBm)	Margin (dB)	Azimuth (deg)
2	3755.6	-61.94	5.10	11.05	Horizontal	-55.99	-43.51	42.99	90
3	5633.6	-50.74	5.42	12.65	Horizontal	-43.51	-13.00	30.51	225
4	7520.0	-53.34	6.70	13.85	Horizontal	-46.19	-13.00	33.19	180
5	9400.0	-56.76	7.01	14.75	Horizontal	-49.02	-13.00	36.02	135
6	11280.0	-53.35	7.48	15.95	Horizontal	-44.88	-13.00	31.88	45
7	13160.0	-54.38	7.51	16.55	Horizontal	-45.34	-13.00	32.34	0
8	15040.0	-52.83	8.24	15.35	Horizontal	-45.72	-13.00	32.72	90
9	16920.0	-50.05	8.41	14.95	Horizontal	-43.51	-13.00	30.51	270
10	18800.0	-	-	-	-	-	-	-	-

Note: 1.The other Spurious RF Radiated emissions level is no more than noise floor.
 2. The worst emission was found in the antenna is Horizontal position.

LTE Band 2 20MHz CH-Middle

Harmonic	Frequency (MHz)	SG (dBm)	Cable Loss (dB)	Gain (dBi)	Antenna Polarization	EIRP Level (dBm)	Limit (dBm)	Margin (dB)	Azimuth (deg)
2	3742.1	-60.68	5.10	11.05	Horizontal	-54.73	-13.00	41.73	135
3	5613.4	-49.99	5.42	12.65	Horizontal	-42.76	-13.00	29.76	45
4	7484.6	-53.73	6.70	13.85	Horizontal	-46.58	-13.00	33.58	180
5	9400.0	-53.77	7.01	14.75	Horizontal	-46.03	-13.00	33.03	90
6	11280.0	-51.90	7.48	15.95	Horizontal	-43.43	-13.00	30.43	315
7	13160.0	-54.28	7.51	16.55	Horizontal	-45.24	-13.00	32.24	45
8	15040.0	-53.08	8.24	15.35	Horizontal	-45.97	-13.00	32.97	225
9	16920.0	-50.30	8.41	14.95	Horizontal	-43.76	-13.00	30.76	0
10	18800.0	-	-	-	-	-	-	-	-

Note: 1.The other Spurious RF Radiated emissions level is no more than noise floor.
 2. The worst emission was found in the antenna is Horizontal position.

6. Main Test Instruments

Name	Manufacturer	Type	Serial Number	Calibration Date	Expiration Date
Base Station Simulator	R&S	CMU200	118133	2019-05-19	2020-05-18
Base Station Simulator	R&S	CMW500	113824	2019-05-19	2020-05-18
Power Splitter	Hua Xiang	SHX-GF2-2-13	10120101	/	/
Spectrum Analyzer	Key sight	N9010A	MY50210259	2019-05-19	2020-05-18
Universal Radio Communication Tester	Key sight	E5515C	MY48367192	2019-05-19	2020-05-18
Signal Analyzer	R&S	FSV30	100815	2018-12-16	2019-12-15
Loop Antenna	SCHWARZBECK	FMZB1519	1519-047	2017-09-26	2019-09-25
Trilog Antenna	SCHWARZBECK	VUBL 9163	9163-201	2017-11-18	2019-11-17
Horn Antenna	R&S	HF907	100126	2018-07-07	2020-07-06
Horn Antenna	ETS-Lindgren	3160-09	00102643	2018-06-20	2020-06-19
Signal generator	R&S	SMB 100A	102594	2019-05-19	2020-05-18
Climatic Chamber	ESPEC	SU-242	93000506	2017-12-17	2020-12-16
Preamplifier	R&S	SCU18	102327	2019-05-19	2020-05-18
MOB COMMS DC SUPPLY	Keysight	66319D	MY43004105	2019-05-19	2020-05-18
RF Cable	Agilent	SMA 15cm	0001	2019-06-14	2019-09-13
Software	R&S	EMC32	9.26.0	/	/

*****END OF REPORT *****



ANNEX A: EUT Appearance and Test Setup

The Detailed EUT Appearance and Test Configuration refer to EUT Appearance and Part22_24_27 Test Setup.