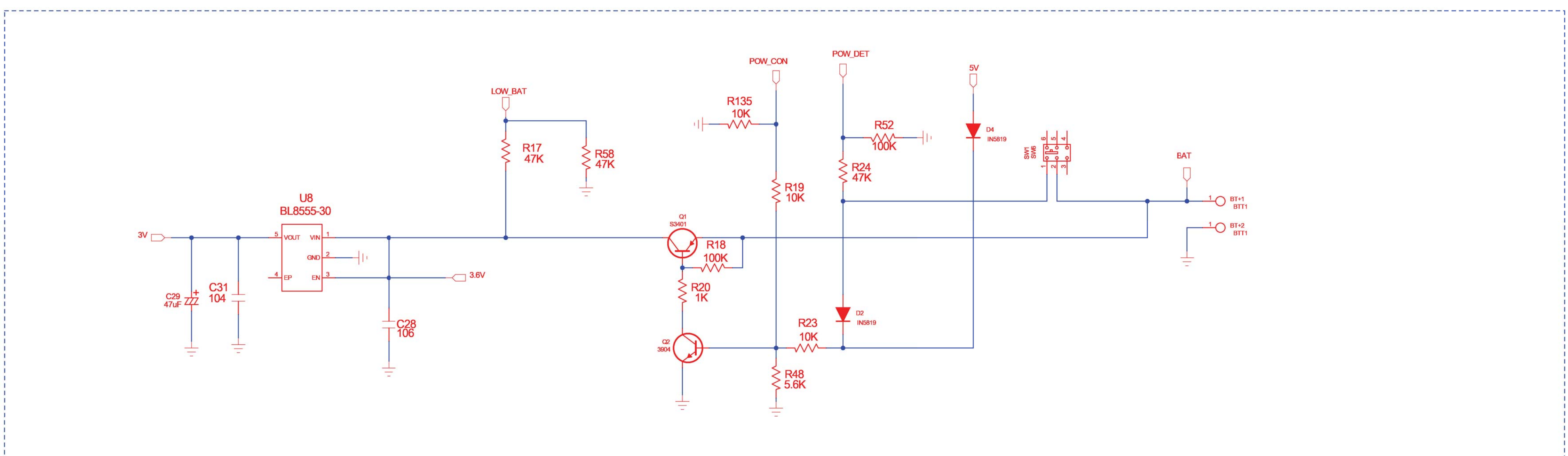
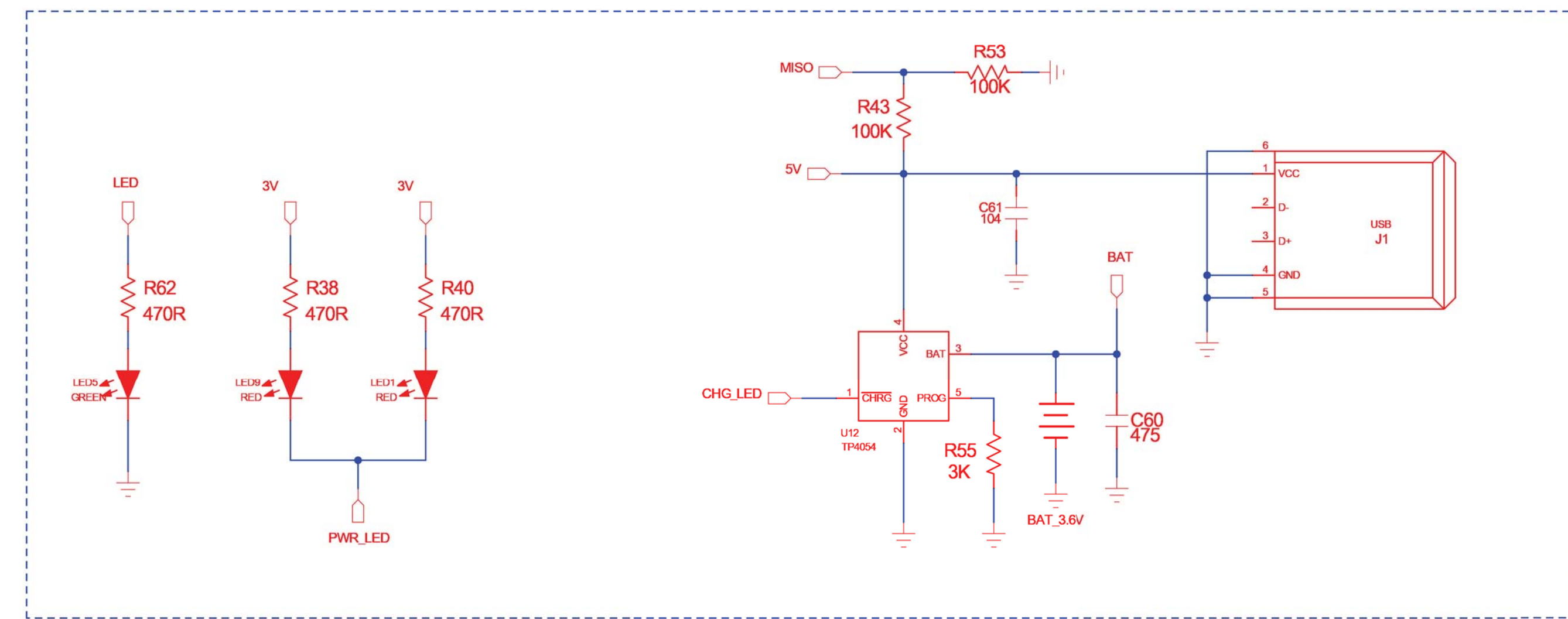
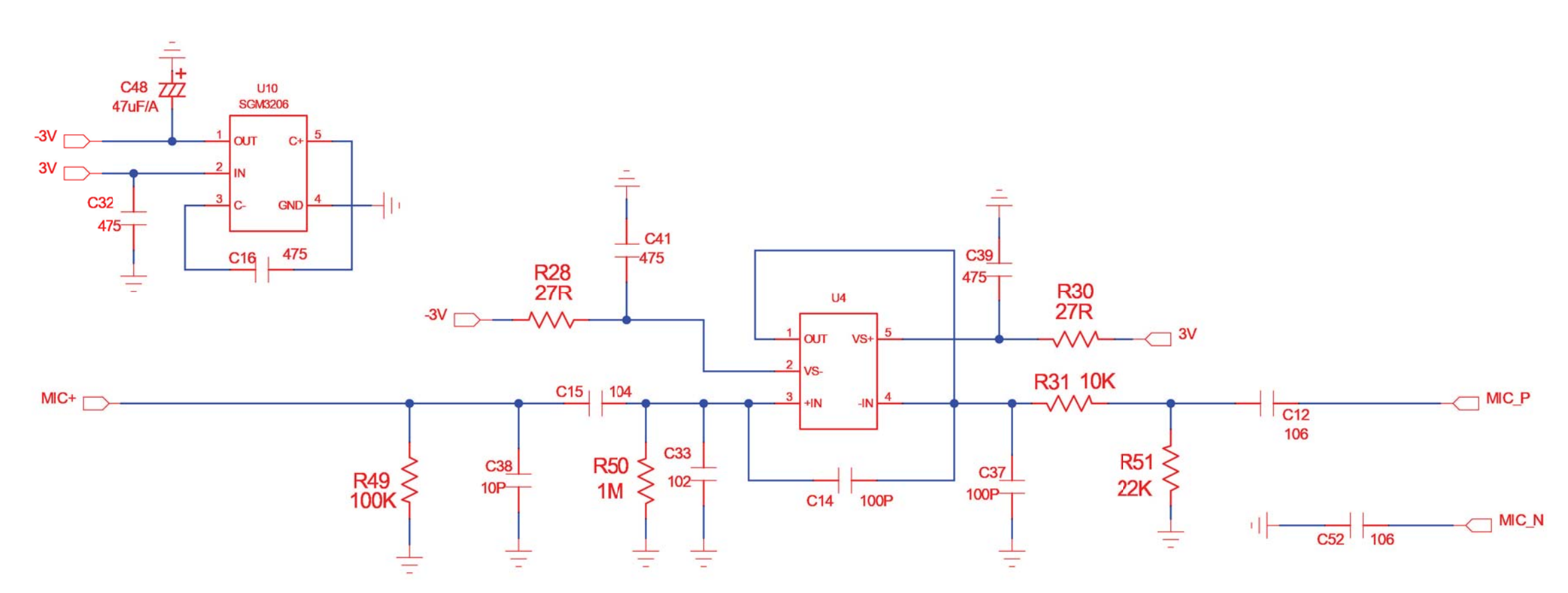
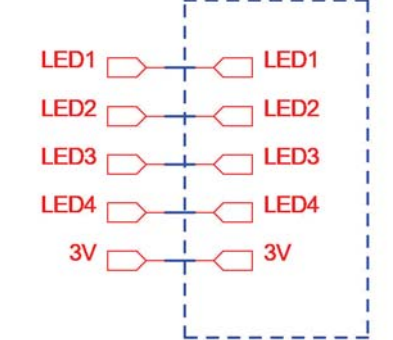
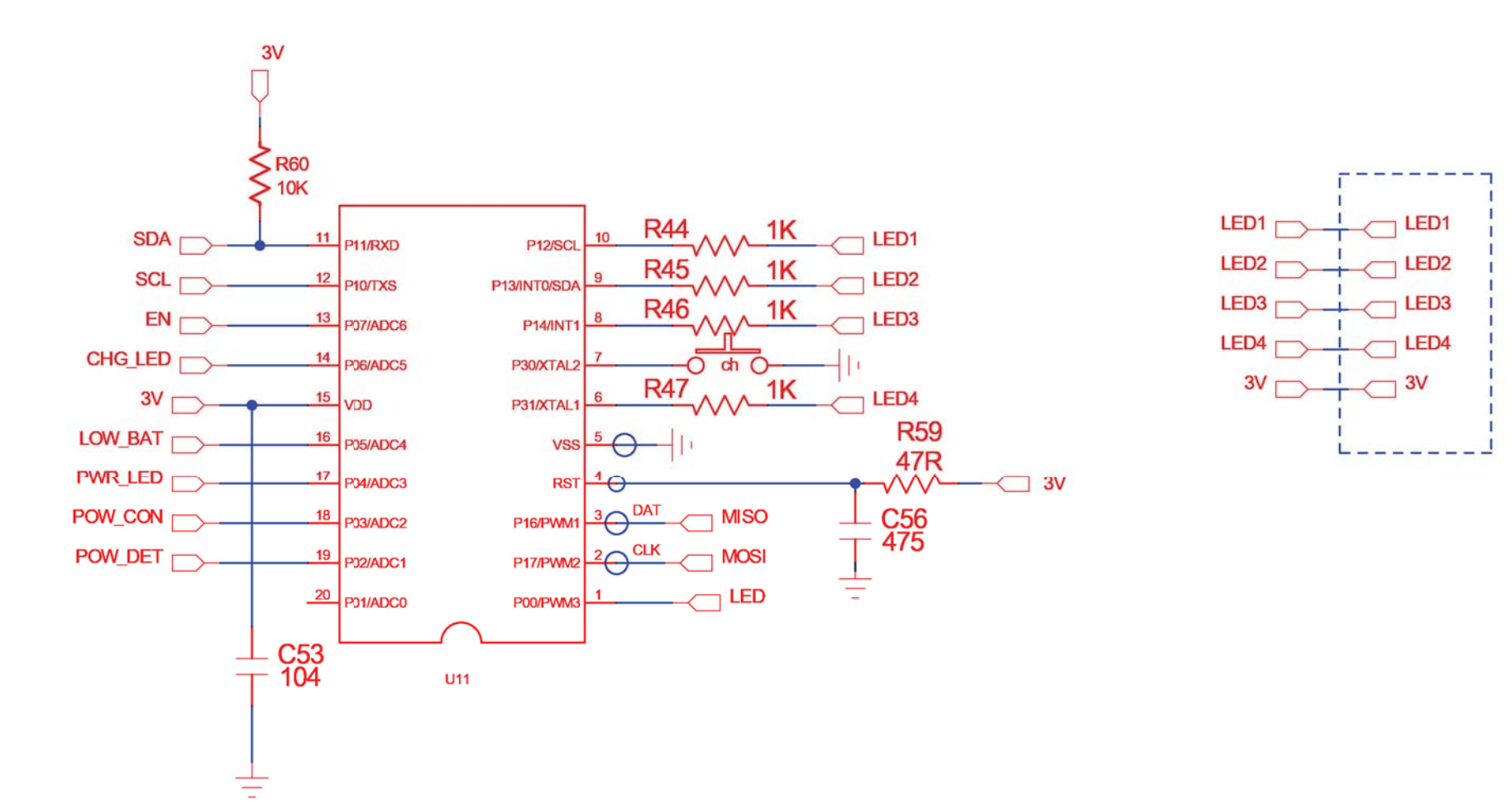
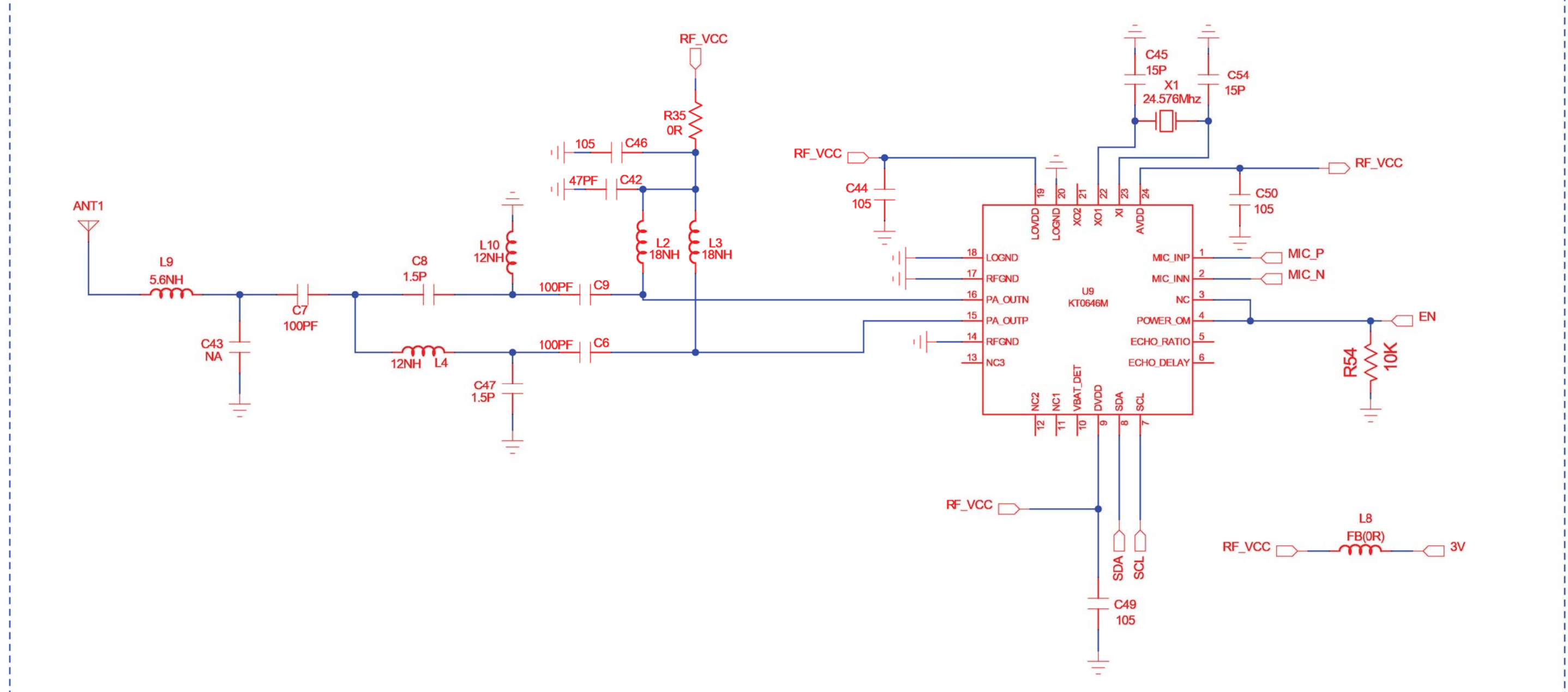


REVISION RECORD			
LTR	ECONOZ	APPROVED:	DATE:



DRAWN:		DATED: 2018-6-05		COMPANY:	
CHECKED:		DATED:		TITLE: WX-50	
QUALITY CONTROL:		DATED:		CODE:	SIZE:
RELEASED:		DATED:		DRAWING NO.:	REV.:
SCALE:				SHEET: OF	