

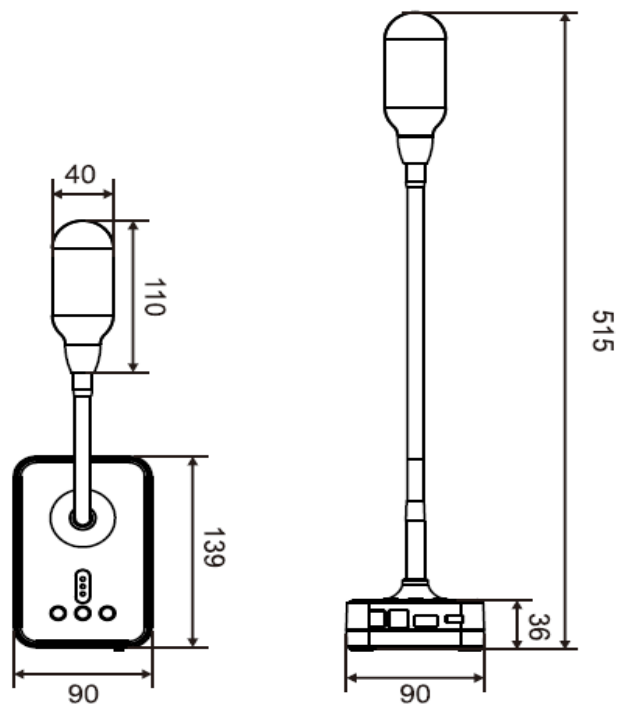
Usermanual

1.1 About product

These visualizer design as a visual presenter. It's widely use for meeting room, classroom and also can help the low vision people to read etc. These can display objects, video display, scan text book, and also can connect with whiteboard directly or through computer. They can help you to do some edit on the video and image such as contrast, annotation, remark, rotate, scale etc.

1.2 Warning and precautions

- Please do not use broken wires, plugs, or loose socket.
- Be careful of electric shock, fire danger.
- Do not overly bent wire or be heavy pressure on the wire, easy cause wire breakage.
- Please do not place the equipment in the uneven places, equipment may fall damage or hurt people.
- Please adjust the head of the device in right position to make sure a best results.

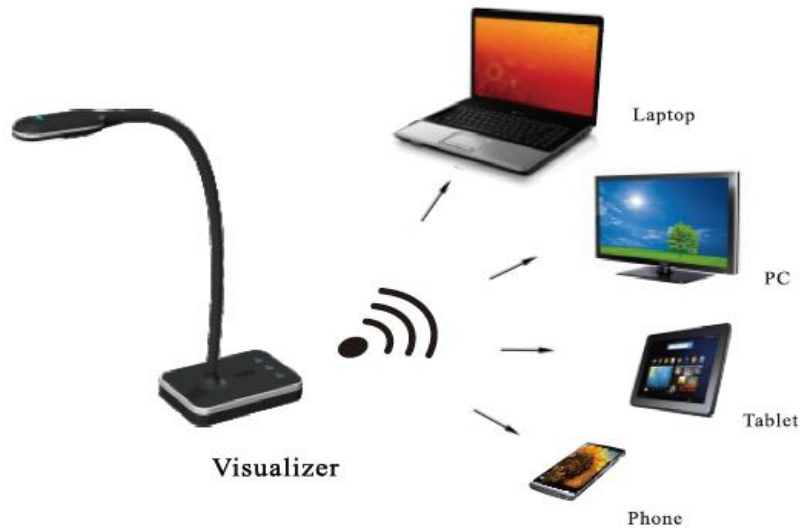


Units: mm



- (1) Camera: capture image and video
- (2) Supplement Light: Four white LED light
- (3) Gooseneck Design: Multidimensional rotate
- (4) WIFI Indicator Light: Green when power on, red for regular working.
- (5) Working Modes Status: Green for USB mode, red for WIFI mode
- (6) Power Indicator Light: Red for low battery, Orange for under 50%, Green for full power.
- (7) MIC: Microphone
- (8) Supplement Light: three level light
- (9) MIC ON/OFF
- (10) Auto Focus
- (11) Anti-theft Lock.
- (12) Power Supply: 5V/1.5A adapter
- (13) USB port: USB2.0 port connect to computer
- (14) USB Extended Port
- (15) Power: ON/OFF

WIFI Mode System Diagram



Note: Confirm device not connect USB cable, connect power cable and open switch , and then open software enters into preview interface.

How to connect with wifi?

1. Download eloam wifi APP



ref. below picture:



2. Connect it with cell phone or ipad or other tablet PC via Wifi, please connect it as below, Setting→Wifi→Eloam...→Open eloam wifi APP.



3. Open Eloam wifi APP, then scan document or view picture via the APP in your cell phone or Ipad or other tablet PC. Please ref. below picture.



Software Installation

System requirements

Windows:

- Windows/Intel Compatible Personal Computer
- 1.0 Ghz Pentium Minimum
- CD-ROM Drive
- 512 MB RAM or above
- USB 2.0 Port
- Microsoft Windows XP/ Windows Vista/ Windows 7/
Windows 8/Windows 10

* Higher requirements might be needed when scanning or editing a large quantity of image data. The system requirements here are only a guideline, as in general the better the computer (motherboard, processor, hard disk, RAM, video graphic card), the better the results.

Software installation

Before installation, please temporarily close any anti-virus software, and connect the visualizer to a computer via USB cable, then insert the software CD-ROM to install.

2.3 Software installation steps

Step1: Copy the software from the CD to your computer,

Step2: Install the software in the computer.

Note :

It's better not install the software in the disk of operation system.

Trouble Shooting

NO.	Designation	Description	Solution
1	"Offline mode" appears black screen.	Equipment through the VGA, CVBS cable connect to projector or TV, appears black screen.	1. Check if the VGA, CVBS, power supply are connected correctly, Shut off the power and open again; 2. Default to VGA output, no need to press "Presenter/PC" button, directly enter into preview mode.
2	"Online mode" appears black screen.	Equipment connect to computer via a USB cable, Open the software and no image shown	1. Check if USB cable and power cable are connected correctly; 2. Default to USB output, no need to press "Presenter/PC" button, directly enter into preview mode.
3	The remote failure or ineffective	Remote control connected to the equipment. Operate the remote control, equipment has no reaction.	1. For the first time using, remove the battery insulating film (white), make remote control power on ; 2. Remote control don't point to the device's infrared receiver; 3. Equipment power supply is off or out of battery.
4	Indicator light is not on	When equipment connects to PC according to the manual, Indicator light is not on.	1. Making sure PC is working; 2. Check USB cable, re-plug USB cable; 3. Check USB interface of PC, change to another USB interface or change a computer.
5	LED is not bright	When the equipment connects to computer according to the manual, led not bright.	1. Check USB cable, re-plug USB cable; 2. Press LED button and recheck if operation correctly according to the manual.

6	Starting software error	Start the software, Pop-up error message box.	1. Check USB cable, re-plug USB cable 2. Re-start PC or re-start software; 3. Uninstall the software, re-install it.
7	Images uneven and unclear	Shooting effect is not ideal, appear uneven color image, and not clear, partial dark.	1. Device with auto-exposure function, when open software, the video will have the process from black to light. 2. Insufficient light, to capture in light-filled environment; 3. Resolution too low, see details on <products parameters and features>. 4. Check if the display mode is set to the correctly way (Color).
8	Images appear pixels noise	Pictures appear numerous small white point when scanning files.	1. Insufficient light, to capture in light-filled environment; 2. Change to the white background to capture.
9	Image distortion	Pictures occur trapezoidal, gram and deformed when scanning files.	1. Head shell is not open in place, shooting angle is not up to 90 degrees, start it again; 2. Files does not lay flat, there is arch, angle, or literary itself with irregular shape.
10	no marks function or no response after marking	"Electronic whiteboard" mode, no response after marking.	Under "Electronic whiteboard" mode, check; whether if transparent setting and color setting is set correctly.

Service And Statement

After-sale Service and Guarantee.

1. We warrants the included hardware product and accessories against defects in materials and workmanship for one year from the date you purchase.
2. We will provide on-line trouble shooting service after receiving your claim in 24 hrs.
3. We provides technical support at any time when you needed. Additional cost may will be charged if you want us to make customized software or package.
4. We do not warrant against normal wear and tear, nor damage caused by accident or abuse.
5. We do not warrant in the following situation.
 - 5.1 Damaged by force majeure, such as all kind of earthquake, storm flooding etc.
 - 5.2 Damage caused by improper operation.
 - 5.3 The visualizer don't have original warranty card or serial No.
 - 5.4 Fault caused by computer virus.
 - 5.5 Problems caused by other software's installation and setting.

FCC STATEMENT:

This device complies with part 15 of the FCC Rules. Operation is subject to the following two conditions: (1) This device may not cause harmful interference, and (2) this device must accept any interference received, including interference that may cause undesired operation.

Caution: Any changes or modifications to this device not explicitly approved by manufacturer could void your authority to operate this equipment.

Note: This equipment has been tested and found to comply with the limits for a Class B digital device, pursuant to part 15 of the FCC Rules. These limits are designed to provide reasonable protection against harmful interference in a residential installation. This equipment generates, uses and can radiate radio frequency energy and, if not installed and used in accordance with the instructions, may cause harmful interference to radio communications. However, there is no guarantee that interference will not occur in a particular installation. If this equipment does cause harmful interference to radio or television reception, which can be determined by turning the equipment off and on, the user is encouraged to try to correct the interference by one or more of the following measures:

- Reorient or relocate the receiving antenna.
- Increase the separation between the equipment and receiver.
- Connect the equipment into an outlet on a circuit different from that to which the receiver is connected.
- Consult the dealer or an experienced radio/TV technician for help.

RF exposure compliance statement:

This device has been evaluated to meet the general RF exposure requirement, it can be used in portable exposure condition without restriction.