

### Features:

AC On/OFF Control Function.

0-10V Dimming Function.

PWM Color Setting Function.

Bluetooth Mash.

Mobile APP Setting, IOS & Android APP support.

Remote Control Microwave Motion sensor and Input.

Sensitivity and Delay Time Setting.

### Download APP:

BLU-SEN-C App Download

1. Android phone user can download the APP scan below QR to download



2. iPhone user can search Intelligent in APP store and download it.

### Technical data:

Input Characteristic				
Voltage(Vac)	Power(W)	Current(A)	Frequency(Hz)	L1 Switch(A)
120-277	5	0.1	50-60	3

Output Characteristic					
Aux	Voltage(Vdc)	Current(mA)	Dimming	Voltage(Vdc)	Current(mA)
	12	200		0-10	± 10
SI	Voltage(Vdc)	Current(mA)	SEN	Voltage(Vdc)	Current(mA)
	0-3.3	1		0-12	± 1
CCT	Voltage	Frequency	Current(mA)		
	12Vdc PWM	2KHz		± 20	

## **Certification:**

UL Listed

Comply With UL8750 Safety Regulations

Dry or Damp Location

Comply With FCC Part15 Class B

Surge Protection L-N 1KV, L&N- PE 2KV

Sound Rated Class A

LED CLASS 2

IP 20

FCC ID: 2ARWE01BLUSE01

Changes or modifications not expressly approved by the party responsible for compliance could void the user's authority to operate the equipment.

This device complies with Part 15 of the FCC Rules. Operation is subject to the following two conditions: (1) this device may not cause harmful interference, and (2) this device must accept any interference received, including interference that may cause undesired operation.

Note: This equipment has been tested and found to comply with the limits for a Class B digital device, pursuant to Part 15 of the FCC Rules. These limits are designed to provide reasonable protection against harmful interference in a residential installation. This equipment generates, uses, and can radiate radio frequency energy, and if not installed and used in accordance with the instructions, may cause harmful interference to radio communications. However, there is no guarantee that interference will not occur in a particular installation. If this equipment does cause harmful interference to radio or television reception, which can be determined by turning the equipment off and on, the user is encouraged to try to correct the interference by one or more of the following measures:

- Reorient or relocate the receiving antenna.
- Increase the separation between the equipment and receiver.
- Connect the equipment into an outlet on a circuit different from that to which the receiver is connected.
- Consult the dealer or an experienced radio/TV technician for help.

This equipment complies with FCC radiation exposure limits set forth for an uncontrolled environment. This equipment should be installed and operated with a minimum distance of 20cm between the radiator & your body. This transmitter must not be co-located or operating in conjunction with any other antenna or transmitter.

### Warranty & Environment:

5 Years Warranty

Operating Temperature: -40°C~60°C

### Mechanical Data

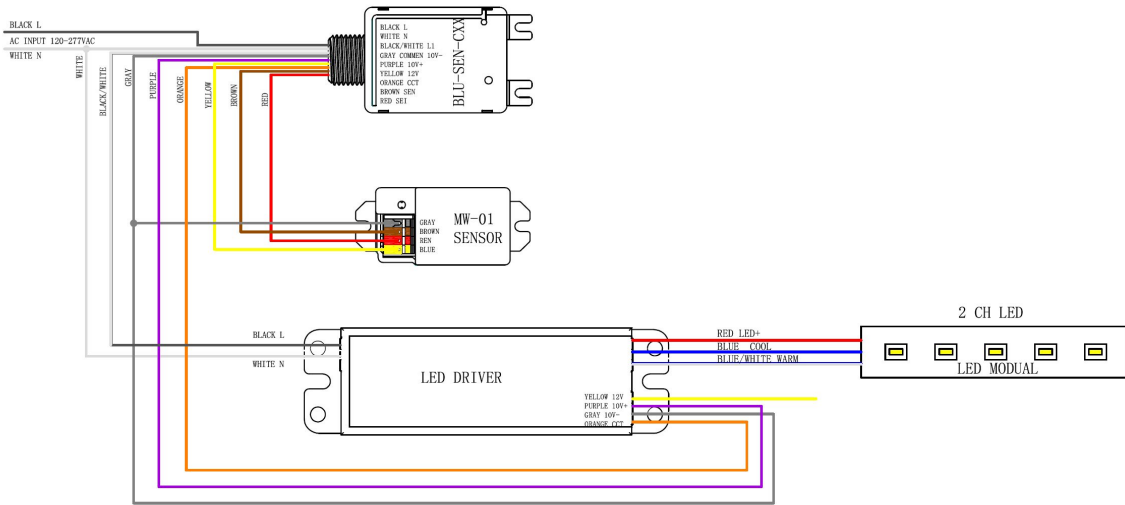
LENGTH	WIDTH	HEIGHT
81.7mm	42.4mm	31.7mm
3.22"	2.67"	1.25"



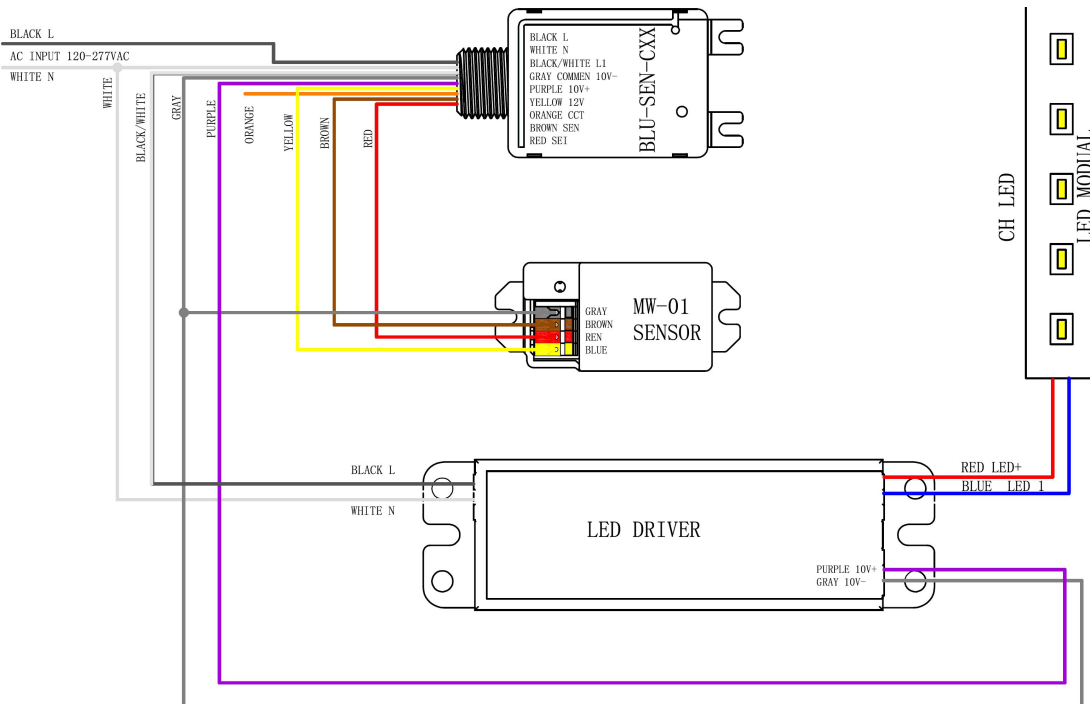
### Wiring Diagrams

Dimming and Color setting and sensor

JULY LIGHTING



Dimming and sensor



NOTE:  
 This Driver Must Be Installed By A Licensed Electrician  
 This Driver Must Be Grounded