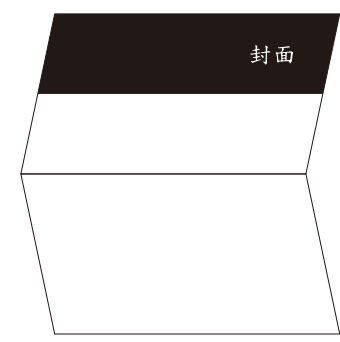




規格			
品名	OMNES ESSENTIAL 耳機_說明書		
料號		版次	V3
尺寸	420x297mm	比例	1:1
製表	Reese	日期	2022/7/4
核准			
核准		覆核	
製作條件			
材質	100g書紙		
印刷	1+1C(雙面1色印刷) PANTONE BlackC黑色		
後加工	3折		



步驟1.
如左圖說明
(由下向上)折第一折



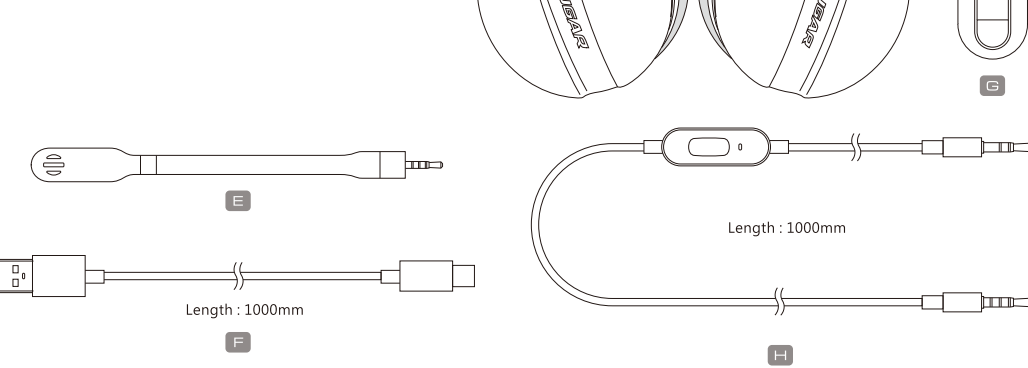
步驟2.
如左圖說明
再次(由下向上)折第二折



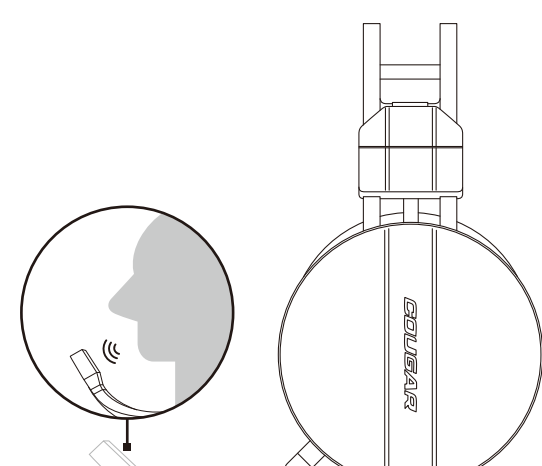
步驟3.
如左圖說明
由左向右折第三折即完成



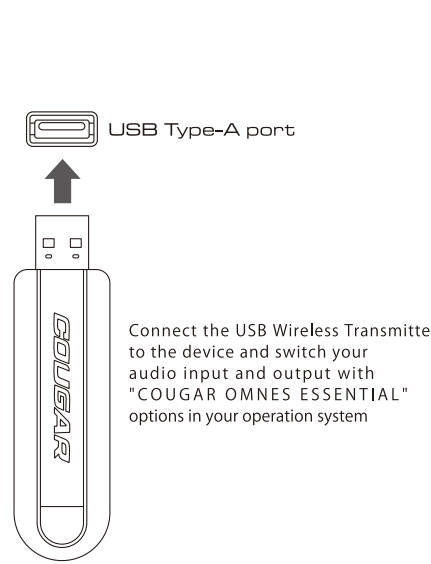
- 1 Suspended Headband Structure
- 2 Leathen-like Headband
- 3 Pressure-free Memory Foam Earpads
- 4 Adjustable and Spinnable Wearing Structure
- 5 Detachable Microphone
- 6 Type-C Charging Cable
- 7 Wireless transmitter
- 8 3.5mm Wire: Detachable Cord and Microphone



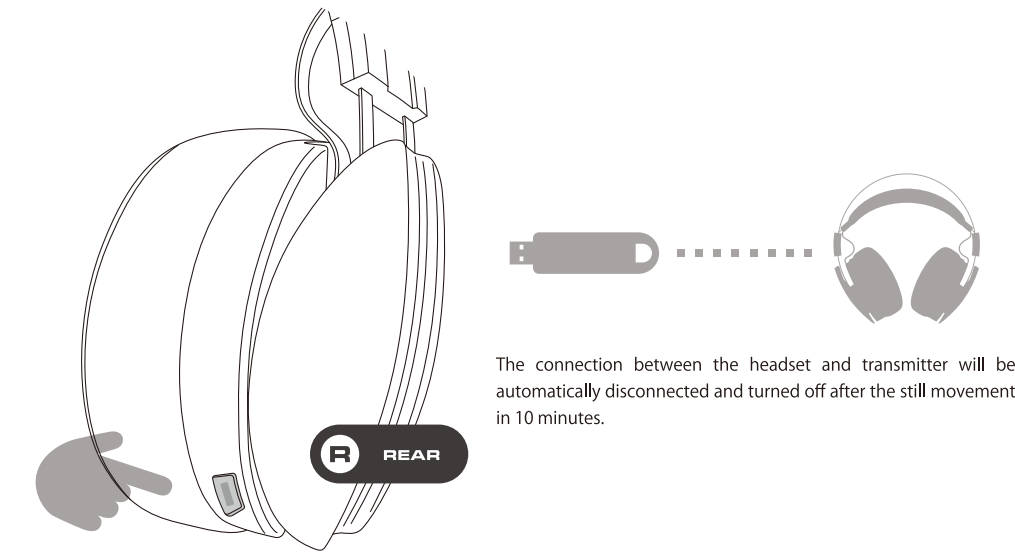
1 HOW TO ADJUST THE MICROPHONE



2 INSTALL THE USB WIRELESS TRANSMITTER



Plug the USB transmitter, the LED on the transmitter will light in steady Orange. Press the Power Button on the headset in 3 seconds, the LED on the button will light in shining Orange under the pairing. After the pairing is complete, the LED on the button will light in steady Orange with cue tone. Press the Power Button in 3 seconds during the operation, the headset will be turned off.



The connection between the headset and transmitter will be automatically disconnected and turned off after the still movement in 10 minutes.

HOW TO CONTROL RGB Switching Button

Effects

- 1 Fluid RGB
- 2 Orange
- 3 Red
- 4 Green
- 5 Blue
- 6 Yellow
- 7 Off

RGB Switching Button: 1 LED Effects change

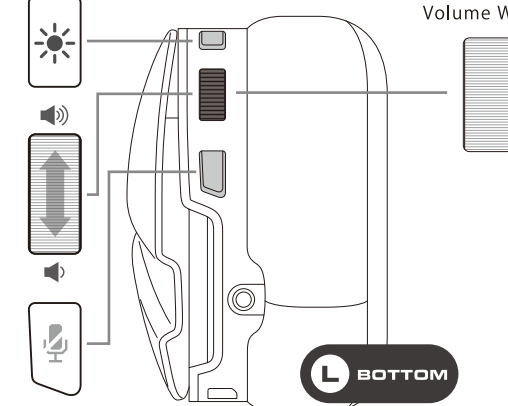
Volume Wheel: Max / Min: Click sound

Microphone Switch Mute On: Microphone light on

Microphone Switch Mute Off: Microphone light off

Wired mode: Light off (The wireless mode is immediately ceased.)

RGB Switching Button

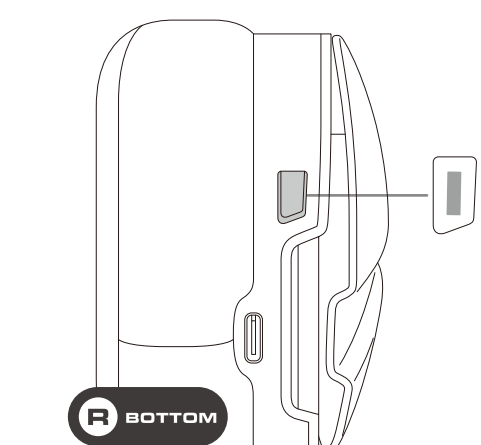


Volume Wheel

Volume Wheel can be synchronized with the PC system, but inoperable under the 3.5mm wired connection.

Microphone Switch

Microphone Switch is only operated through the wireless mode. The LED on the microphone pole will be "lighted" when it is switching to mute.



Power On: 3 Secs Orange light

Power Off: 3 Secs Light off

Low battery: Sparkling + Beep

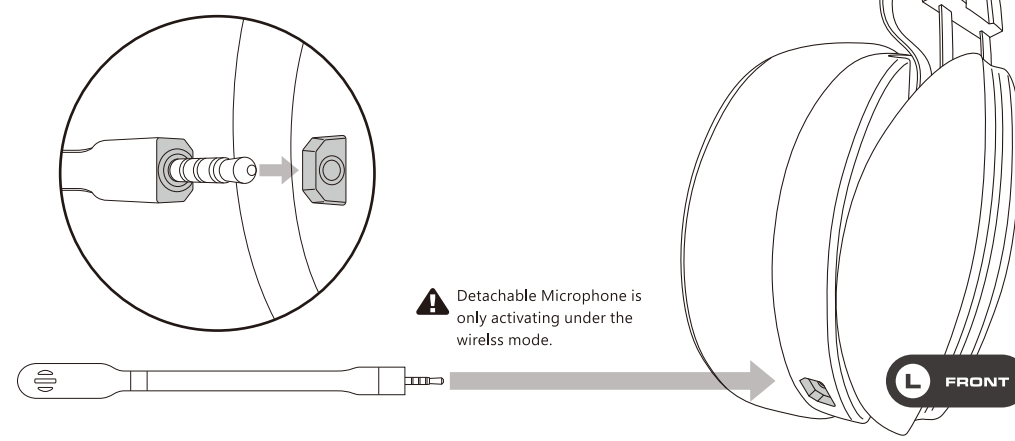
Charging: Blue light

Fully charged: Orange light

正面

WIRELESS MODE

INSTALL THE MICROPHONE

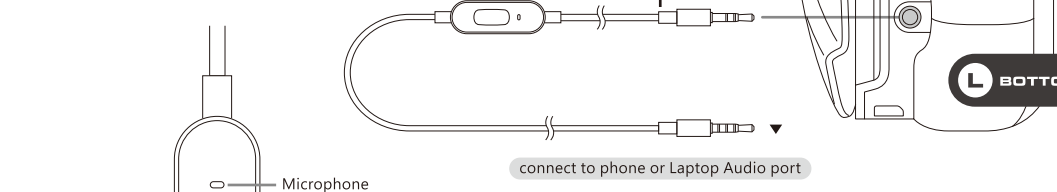


Detachable Microphone is only activating under the wireless mode.

3.5MM WIRED MODE

INSTALL THE CONTROL UNIT

3.5mm connector with 2-ring is connected to the headset, connector with 3-ring is connected to the 3.5mm female base, such as phone or Laptop Audio port. Once the cable is connected, the 2.4G wireless connection and RGB LED effects is automatically going off.



HOW TO CONTROL THROUGH CABLE UNIT

The Detachable Microphone, RGB LED Effects Button, Volume Wheel, and Microphone On/Off button are all inoperable during the wired mode.

CHARGING NOTES FOR WIRELESS MODE

- Please avoid connecting to the port with insufficient Amperage and unstable Voltage USB connector.
- Once USB Type-C charging is connected, the LED will turn into Blue.
- The Blue LED will automatically change to Orange once the charging is completed during the power-off of the headset.
- In the low battery situation, the LED will spark with beep sounds.
- The operation time is as below:

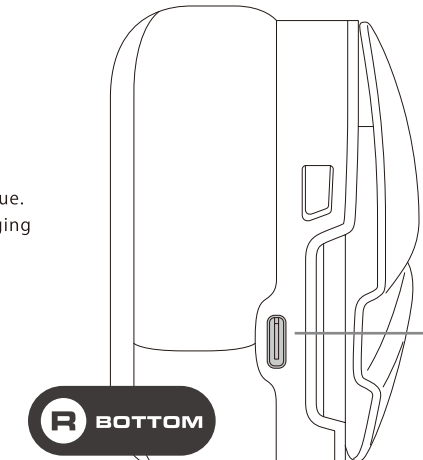
OPERATION TIME

LED OFF	20 Hours*
LED ON	12 Hours*
Charging Time	2.5 Hours (from 0% to 100%)

*Operating time tested under the standard 70% of volume, and LED-off.

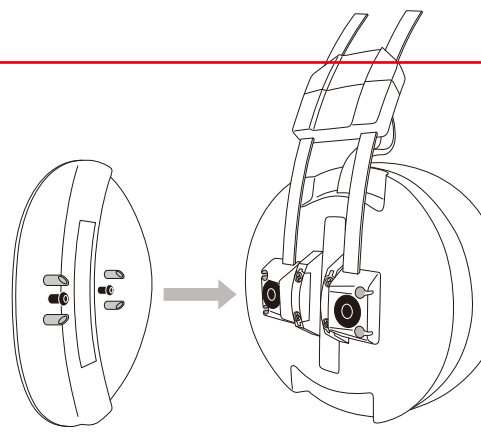
HOW TO CHARGE

The USB Type-C is for charging through 5V/2A Amperage by cable in package, and Type-C is for charging only.



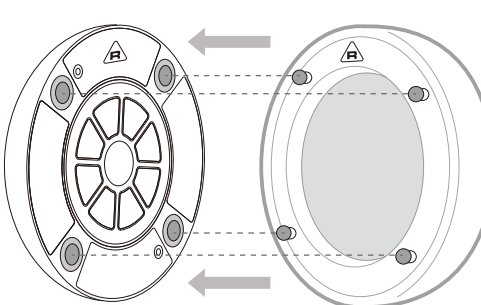
EAR-SHELLS INSTALLATION

The 2 center holes of the ear-shell can be locked once 4 position holes and precisely aimed.

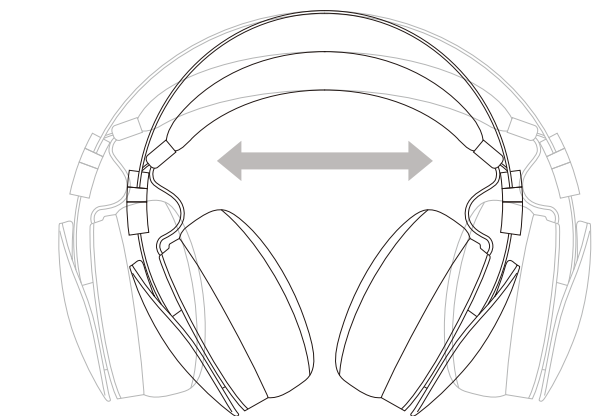


EARPADS INSTALLATION

In case you would clean or change the earpads, please aim at 4 dots and press 4 dot regions. Do not install the earpad with the palm with full coverage.



Do not install with the palm



CAUTION

When stretching the headphones before placing them in your head, please pay attention to avoid stretching them beyond their physical limits to avoid damaging the product.

SPECIFICATIONS

Headphone	Microphone	Electricity
Driver : 53mm	Driver : 9.7mm	Sound Modes : Stereo
Max. Input Power : 40mw	Mic. Type : Cardiod	Radio Frequency : 2402-2480MHz Operating Frequency : 2.4GHz BRD Max Output power : OMNES Essential Gaming Headset : 9.36dbm OMNES Wireless Transmitter : 9.78dbm
Sensitivity at 1kHz : 109±3dB	Mic. Sensitivity at 1kHz : -47±3dB	Wireless Range : 8-10 Meters
Impedance at 1kHz : 32Ω±15%	Mic. Frequency Response : 100Hz - 10KHz	Battery Operation : Up to 20 Hours
Frequency Response : 20Hz - 20KHz	Inline Driver : 4mm	Charging Time : 2.5 Hours
	Inline Mic Type : Omnidirectional	Charging Voltage/Ampere : 5V / 2A Adaptor

PACKAGE CONTENTS

- COUGAR OMNES ESSENTIAL gaming headset
- Detachable microphone
- Wireless transmitter
- Detachable cord and Microphone
- User manual
- Type-C Charging Cable

DISCLAIMERS

COUGAR does not authorize or endorse the user of COUGAR products as a part of, together with, or connected to, life support devices, medical equipment in general, military equipment, traffic or transportation-related equipment or disaster prevention systems. COUGAR is not liable for any damage, expense, loss, cost, injury or any other result derived from the use of COUGAR products not specifically for gaming in the compatible operating systems indicated by COUGAR. COUGAR is not liable for any damage, expense, loss, cost, injury or any other result due to use of COUGAR products not in strict accordance with the instructions provided by COUGAR in the instruction manuals and/or on the software, instruction manuals, consumables (for example mouse pads, mouse feet, etc.), boxes or other external packaging are not covered by the warranty. For inquiries about the warranty, please contact us at service@cougargaming.com.

LEGAL NOTICES

This manual was created by CompuCase Enterprise and may not be completely or partially copied, printed or distributed or stored without the consent of CompuCase Enterprise. COUGAR is a registered brand of CompuCase Enterprise. Other product and company names mentioned in the documentation may be brands or trademarks of their respective owners. CompuCase Enterprise reserves the right to make changes concerning the contents of the manual and the technical data of the product without previous announcement.

FEDERAL COMMUNICATION COMMISSION INTERFERENCE STATEMENT

These limits are designed to provide reasonable protection against harmful interference in a residential environment. The equipment generates, uses and can radiate radio frequency energy and if not installed and used in accordance with the instructions, may cause harmful interference to radio communications. However, there is no guarantee that interference will not occur in a particular installation. If this equipment does cause harmful interference to radio or television reception, which can be determined by turning the equipment off and on, the user is encouraged to try to correct the interference by one of the following measures: -Reorient or relocate the receiving antenna. -Increase the separation between the equipment and receiver. -Connect the equipment into an outlet on a circuit different from that to which the receiver is connected. -Consult the dealer or an experienced radio/TV technician for help.

FCC Caution: To assure continued compliance, any changes or modifications not expressly approved by the party responsible for compliance could void the user's authority to operate this equipment. (Example - use only shielded interface cables when connecting to computer or peripheral devices).

FCC Radiation Exposure Statement

The equipment complies with FCC RF radiation exposure limits set forth for an uncontrolled environment. This transmitter must not be co-located or operating in conjunction with any other antenna or transmitter.

The device must not be co-located or operating in conjunction with any transmitter. Operation is subject to the following two conditions: (1) The device may not cause harmful interference, and (2) The device must accept any interference received, including interference that may cause undesired operation.

Hereby, CompuCase Enterprise Co., LTD declares that the radio equipment Omnes Essential Gaming Headset, Omnes Wireless Transmitter are in compliance with Directive 2014/53/EU. The full text of the EU declaration of conformity is available at the following internet address: <http://cougargaming.com>

MANUFACTURER CONTACT

CompuCase Enterprise Co., Ltd.
No. 225, Lane 54, An Ho Road, Sec. 2, Taiwan, Taiwan, R.O.C.
Tel: +886-6-256-0096
Service E-Mail: service@cougargaming.com

All other registered trademarks belong to their respective companies. All rights reserved. Made in China

CONDITIONS WHERE FREE MAINTENANCE IS NOT PROVIDED
Any kind of damage caused by natural disasters (including flood, fire, flood, thunder, earthquake, etc.).
Any fault or damage caused by accidental factors and man-made reasons (including hit, scrape, crash, moving, compression, stain, corrosion, use of incorrect or unstable voltage, computer virus, not, mouse, malicious damage, etc.).
Use in an improper operating environment (including high temperature, high humidity, water inflow, etc.).
Inability to provide the product warranty card, purchase receipt or invoice to prove the product is still within the warranty period and the shipping date of the product is not of warranty.
The warranty card or product serial number has been altered or its number is hard to identify.
The warranty period has expired.
Any fault or damage caused by non-compliance with regulations stated on the user manual or improper, rough and careless treatment.
Any fault or damage caused by use of parts not certified by COUGAR original manufacturer.
The problem is caused by improper repair or adjustment by the buyer or any manufacturer without authorization from COUGAR.
The product is not acquired from an authorized distributor of the company or is acquired from third sources.
Paper, carton, instruction and other accessories are not warranted.

ДАТА ИЗГOTOBJEHA ПPOДУKЦИИ

В данной документации указаны в серийном номере продукта (продукция 2.0) дата ее производства (дата выпуска (месяц-день)).

После SN номера две цифры означают год, после две - месяц изготовления. Например, SN: H17020001 означает, что товар был произведен в феврале 2017 года.

После SN или указанной выше, то две буквы представляют цифры из таблицы ниже в соответствии с датой производства для каждого месяца. Например, SN: DA6020E190001 означает, что товар был произведен в феврале 2017 года.

A	B	C	D	E	F	G	H	I	J
1	2	3	4	5	6	7	8	9	0

* Например, AG = 17 = 2017 год

背面