



AUTOSWING

INSTALLATION MANUAL



CONTENTS

1. TECHNICAL INFORMATION



Features

The AutoSwing Automatic Door Operator offers a high standard of performance within a slimline design.

The low height of only 2.25 inches (60mm) allows the AutoSwing Operator to be fitted to a transom header.

The system comes with both push arm and slide arm configurations, the combination of these design features and the almost silent operation of the mechanism give the doorway a seamless operation where the door appears to open as if by magic.

Operator Features and Performance

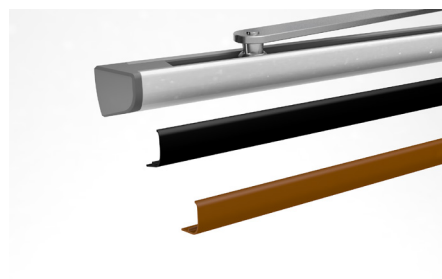
- Compact slim design
- Heavy-duty 24V motor
- Hi-Tech modularised and packed with features
- Up to 220.5 lb (100kg) door weight
- Touchless control sensor
- Integrates with Smart Locks
- Grant or deny access from the app
- Motion sensor activation
- Grant or limit access to family, friends and service personnel remotely
- Pet access
- Touchless privacy lock for bathroom door
- Endcaps with LED indicator lights
- Integration with electric latching and Mag locks
- Compatible with: Yale and August smart locks.



Endcaps LED Indicator lights, showing different mode settings.



Clip on/off replaceable Lithium battery.



Powder coated door guide cover, to blend in with your existing door texture.

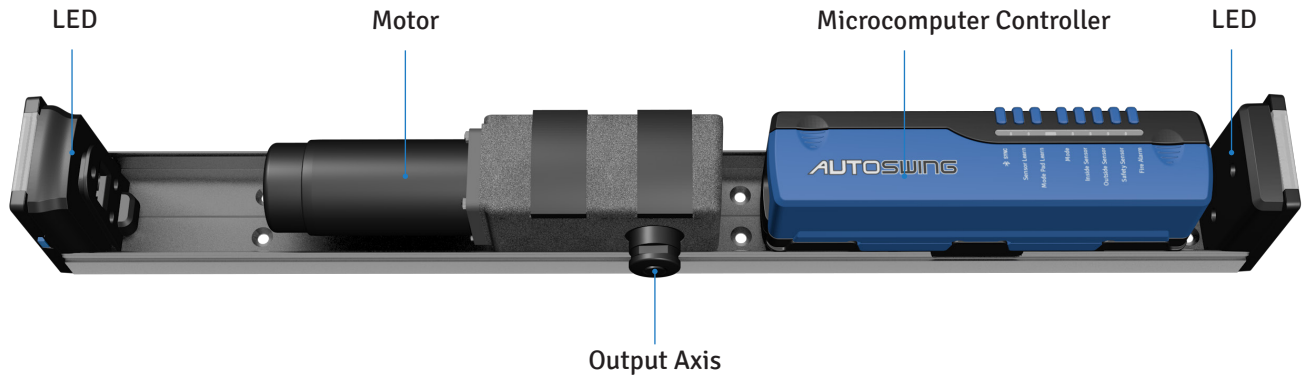
Technical specifications

Operator type	Hinged Door, Swing Door
Door opening width	47' (1200 mm)
Door weight	198.4 lb (up to 90 Kg)
Power input	100-240VAC 50/60hz(+,-10%)
Auxiliary voltage	24 VDC @220mA
SPDT relay output for controlling electric-strikes or electric locks not to exceed 2A 24 VDC	
Opening speed	30degree/second for opening speed.15 degree/second for slow opening speed
Closing speed	8 degree /s

Hold open time	0-23s
Ambient temperature	14 °F to 140 °F (-10°C to 60°C)
Drive weight unit	7 lb (3 Kg)
Complies with:	UL/FFC
Electro-mechanical locking integration	Mag Lock, Electric Strike, Electric Dead Bolt
Power supply adaptor output	25Vdc, 2.6A 65watt
Safety Protocol Lithium	Auto-Reverse, Safety Beams.

COMPONENTS

OPERATOR



CLIP ON SAFETY COVER



PULL ARM - Inward Opening



PUSH ARM - Outward Opening



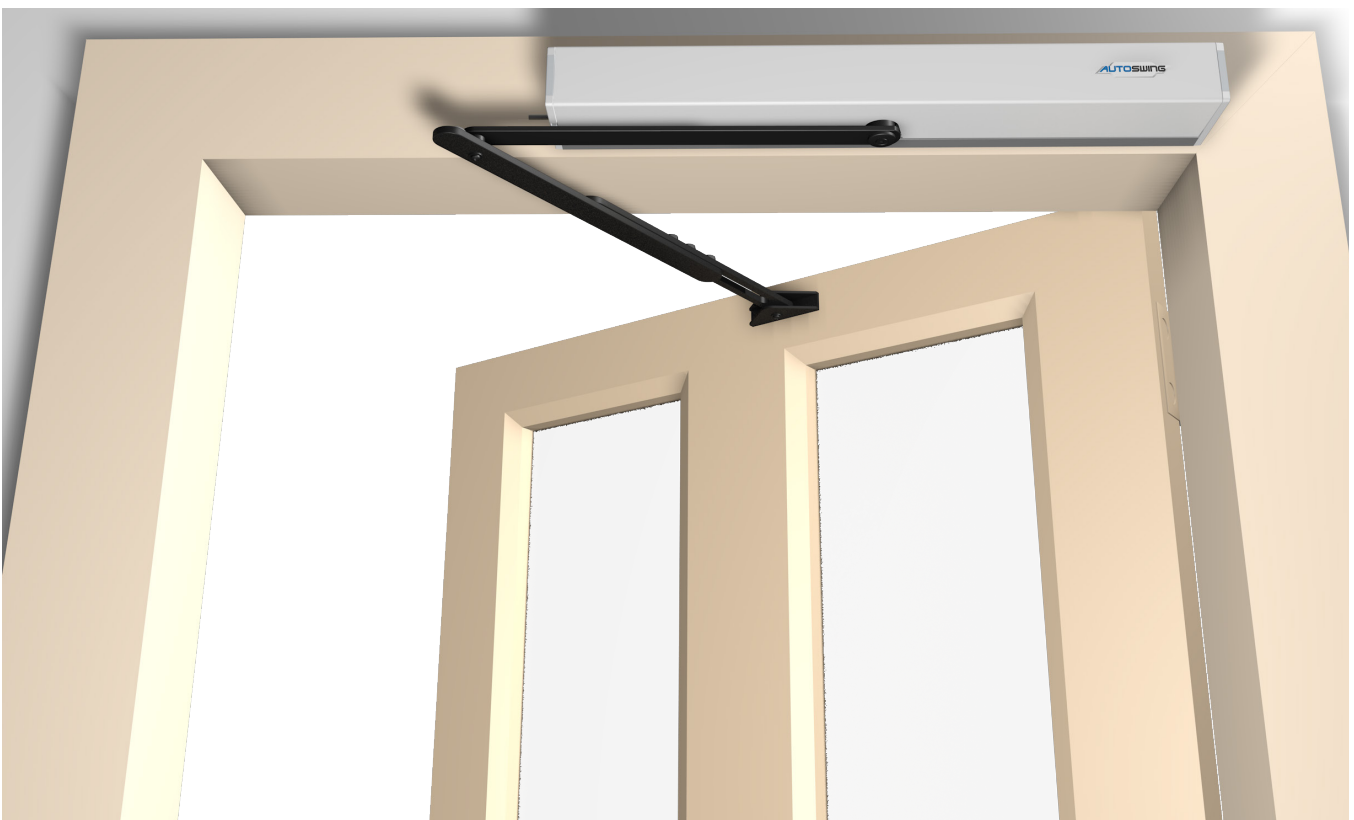
NOTE: AutoSwing comes with either one of the two arms.

INSTALLATION

INSTALLATION EXAMPLE



Choose pull arm: Door leaf open toward inside (operator is inside)

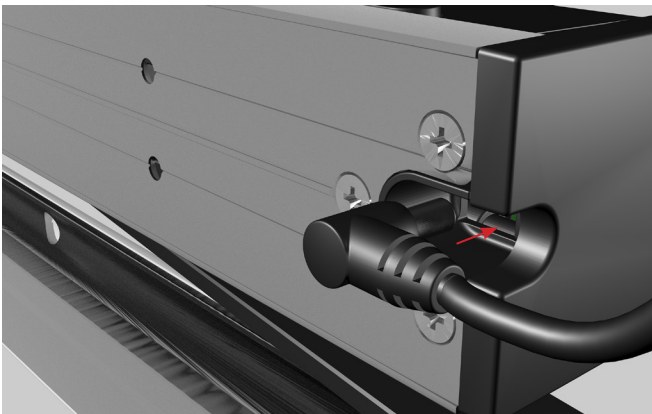
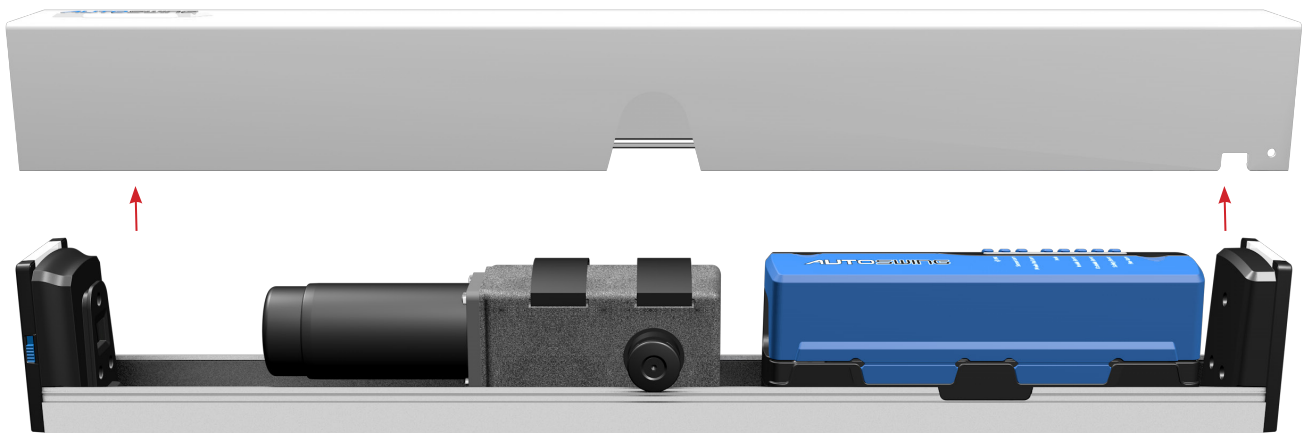
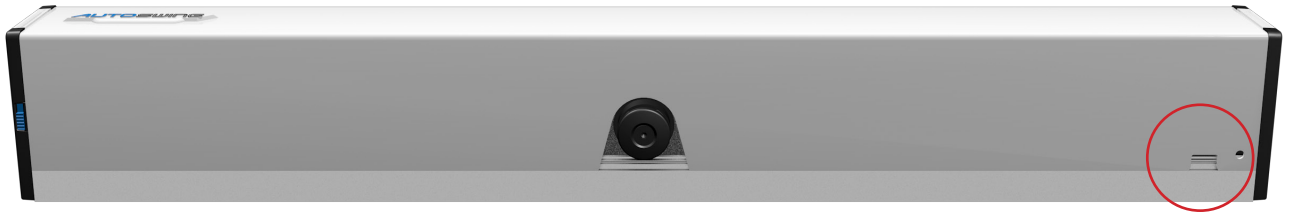


Choose push arm: Door leaf open toward outside (operator is inside)

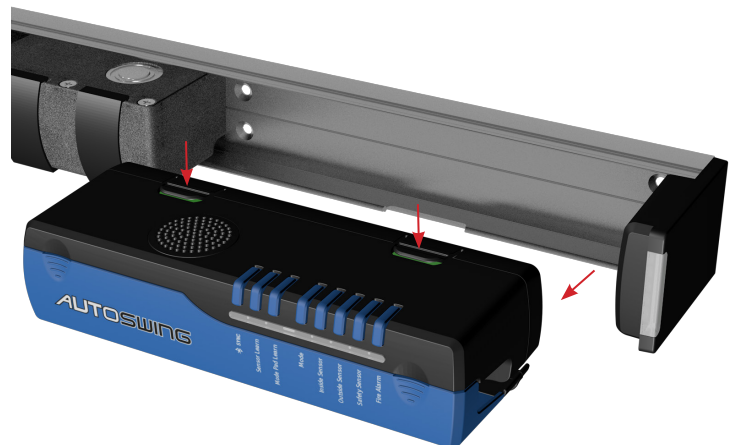
INSTALLATION

INSTALLATION OF THE BASE - PULL ARM/PUSH ARM

Using a flat screw driver, clip off the safety cover.



Plug the power cable into the back of the AutoSwing.



Remove the controller by pressing on the two clip on/off buttons.

INSTALLATION

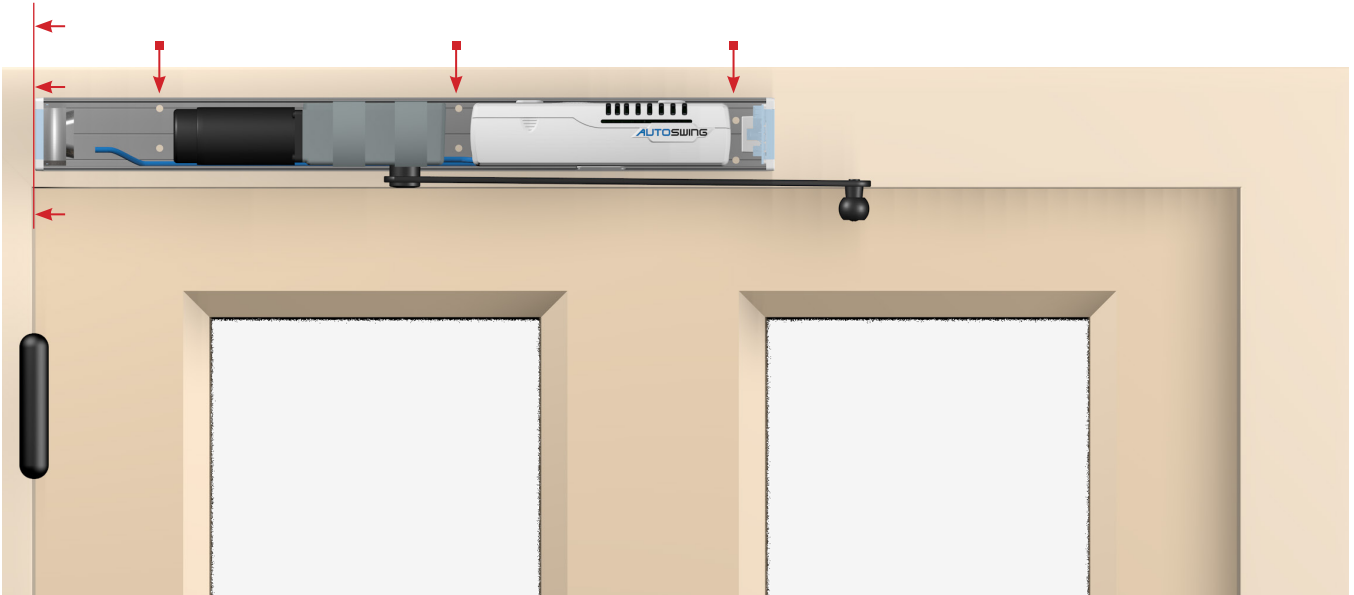
INSTALLATION OF THE BASE - PULL ARM

Fully close the door. Fix the base on the frame with six countersunk wood screws, (if the frame is steel structure should use M6*15 hex countersunk head screws). use a level throughout this process.

Make sure the edge of the base is aligned to the edge of the door.

- If installing onto a right hinged door, align the right edge of the base to the right edge of the door.
- If installing onto a left hinged door, align the left edge of the base to the left edge of the door.

Make sure the top of the ball of the arm is slightly below the top edge of the door panel. Ensure the bottom of the hinge of the arm does not hit the door panel as it opens



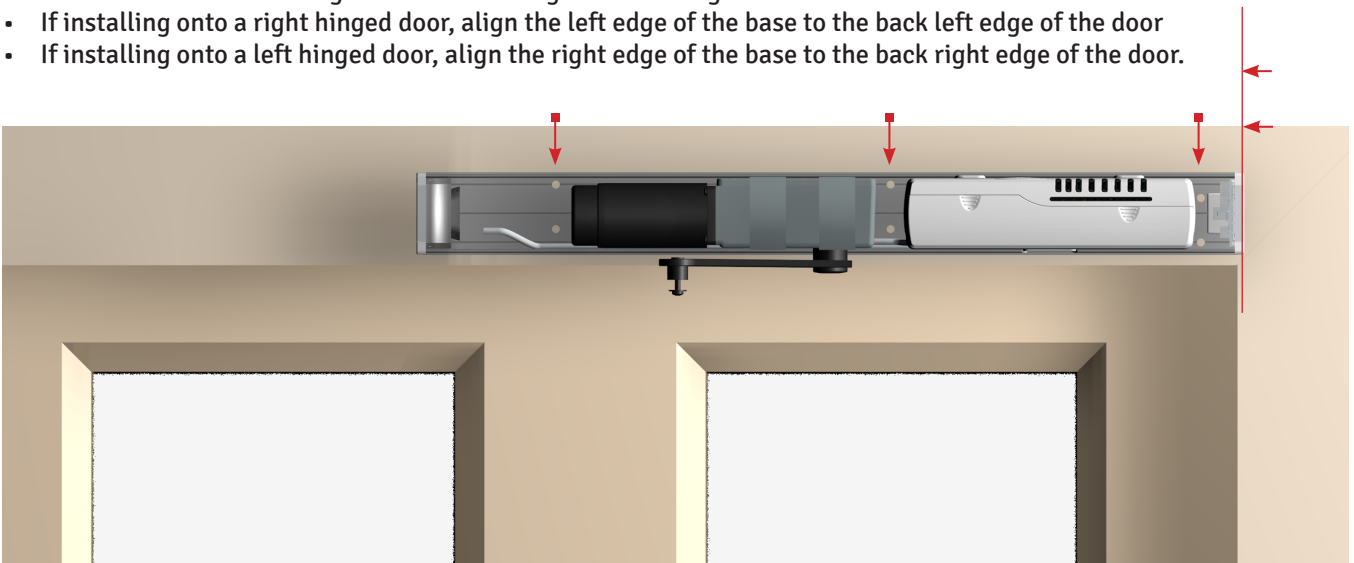
AutoSwing with Pull Arm on left hinged door (front view, hinges are on the left)

INSTALLATION OF THE BASE - PUSH ARM

Fully close the door. Fix the base on the frame with six countersunk wood screws, (if the frame is steel structure should use M6*15 hex countersunk head screws). Make sure the edge of the base is aligned to the edge of the door. Use a level throughout this process.

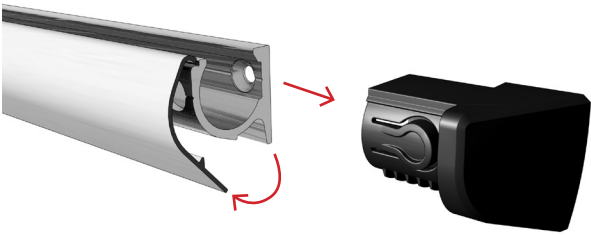
Make sure the base is just low enough so the arm is able to rotate freely without hitting or scraping against the frame of the door. Make sure the edge of the base is aligned to the edge of the door.

- If installing onto a right hinged door, align the left edge of the base to the back left edge of the door
- If installing onto a left hinged door, align the right edge of the base to the back right edge of the door.

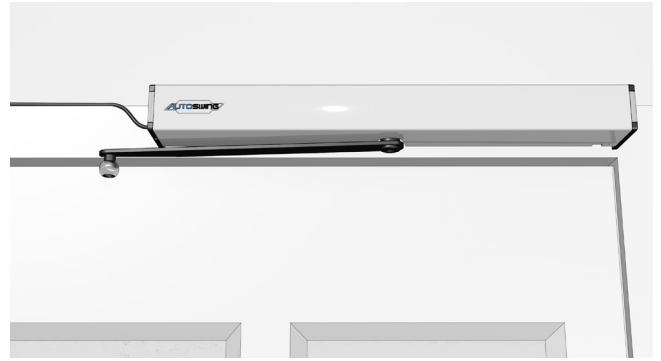


AutoSwing with Push Arm on left hinged door (back view, hinges are on the right)

INSTALLATION - PULL ARM



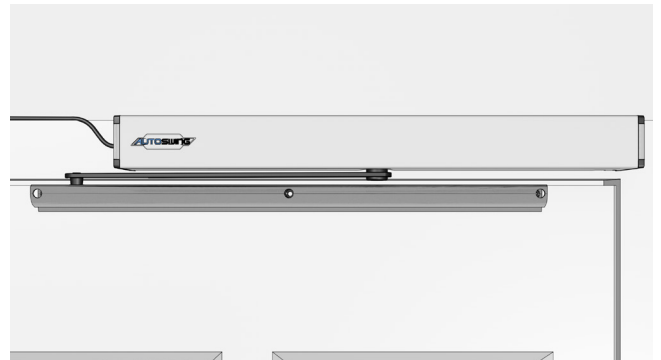
Remove the cover and endcaps of the rail.



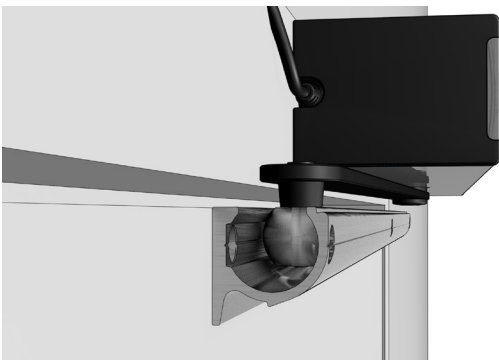
Keep the door fully closed. If installing onto right hinged door, rotate the arm full to the left.



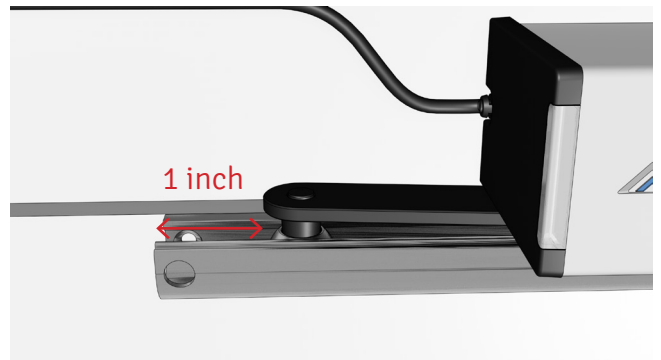
Slide the rail along the ball of the arm. Hold the rail up to the door panel where it will mount.



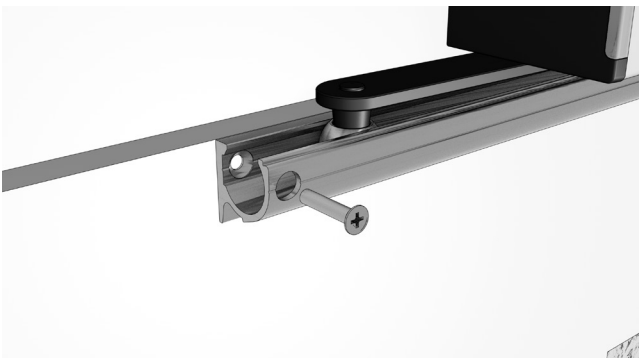
The rail should be flush against the door panel.



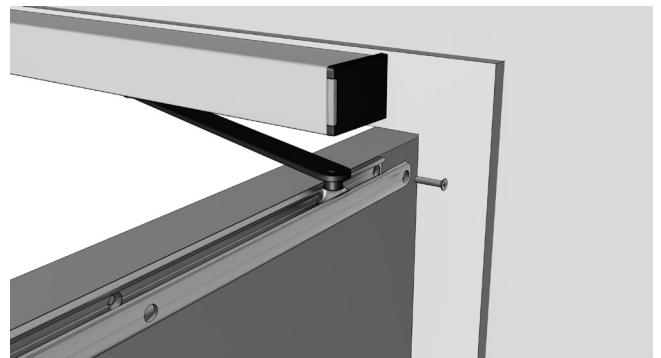
The ball should be upwards in the rail.



Position the right edge of the rail an inch from the ball when the door is fully closed



Holding the rail in place, drill in the rightmost screw.

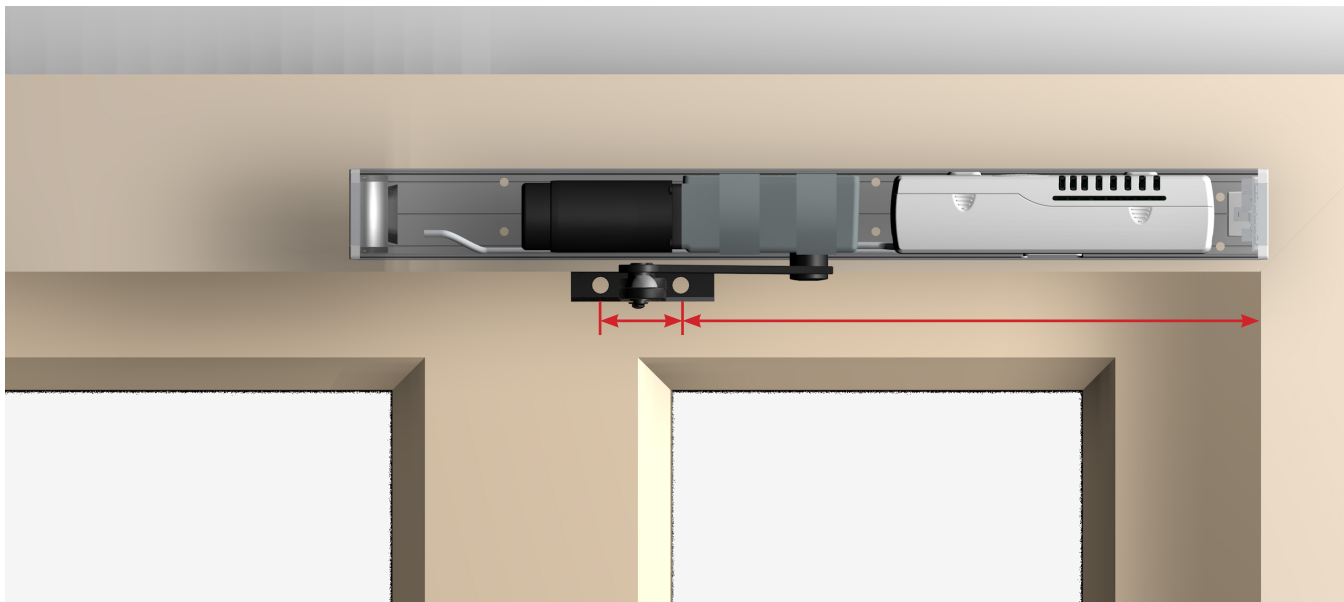


Open the door almost fully and drill in the left-most screw, using the ball to keep the rail level.

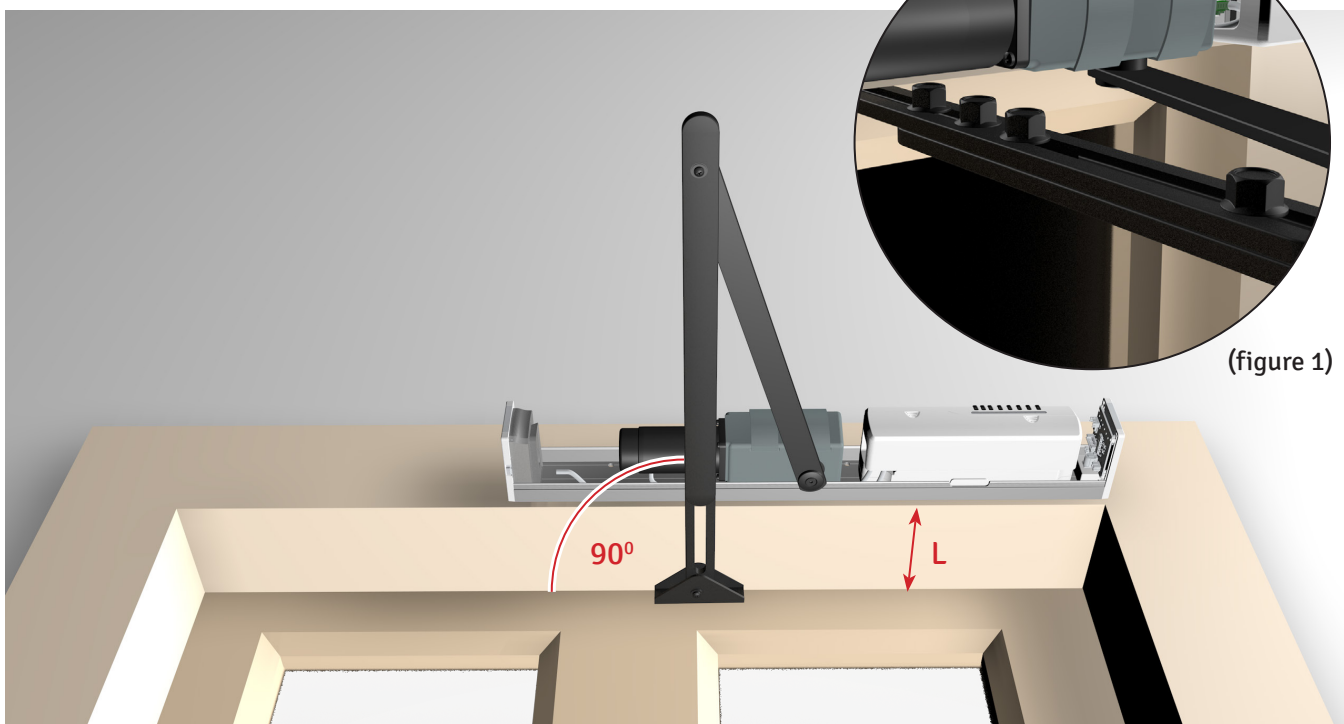
INSTALLATION - PUSH ARM

FIX THE SUPPORT HOLDER - PUSH ARM

Fix the support holder of push arm on the door panel as shown using two round head wood screws.
(If the door panel is steel, please use M6*15 cross recessed head screws.)



ADJUSTING THE PUSH ARM LENGTH - PUSH ARM

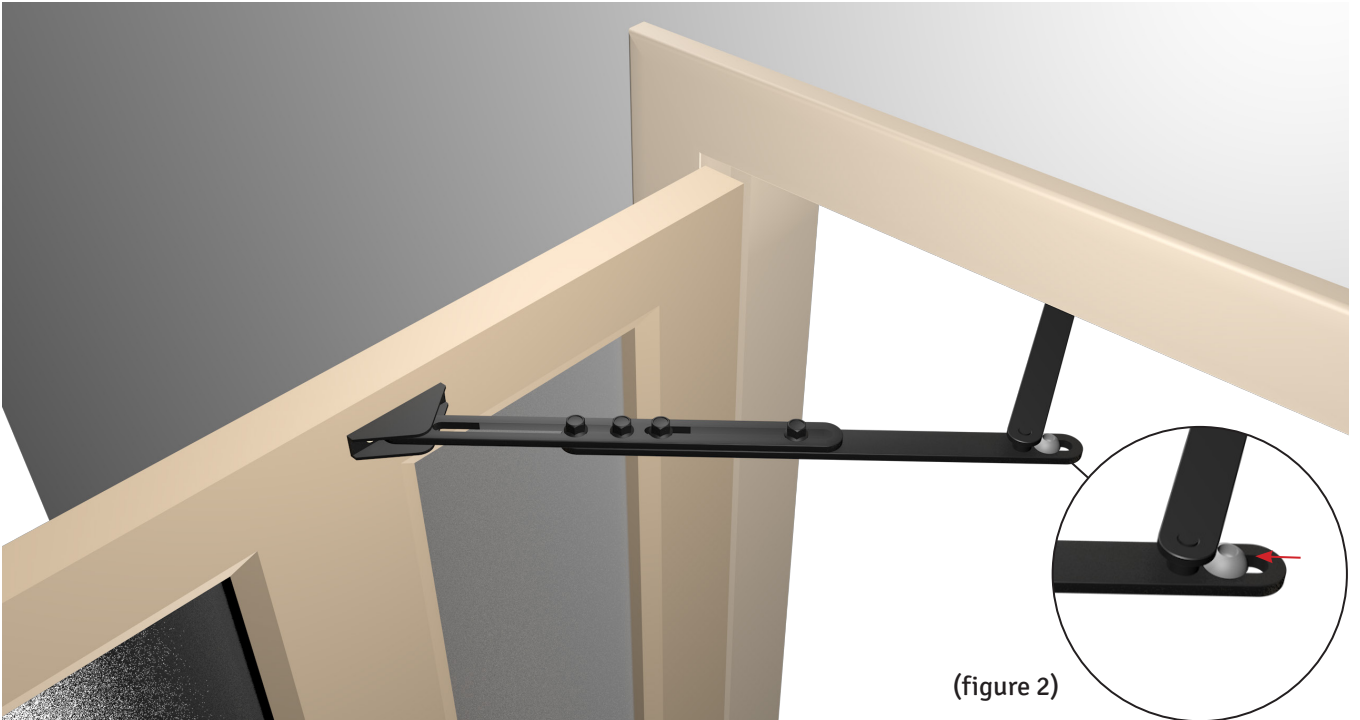


Loosen the four bolts depicted in (Figure 1), and adjust the push arm length according to the door depth (L) until the angle between the push arm and the door panel is 90°.

INSTALLATION - PUSH ARM

ADJUSTING THE STOPPER POSITION - PUSH ARM

Adjust the stopper position in the “U hole” (figure 2) according to the diagram below.



ELECTRICAL CONNECTION



OPERATE THE AUTOSWING

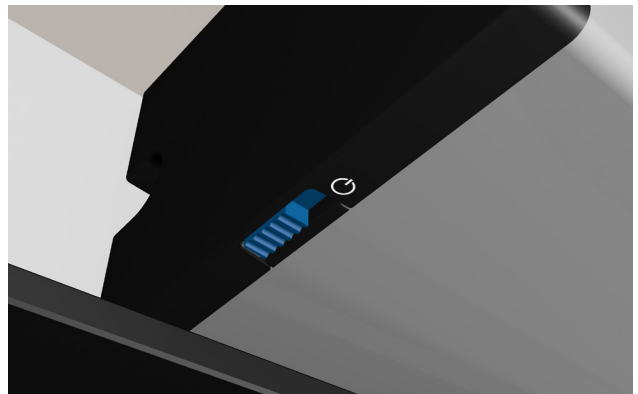
BEFORE YOU BEGIN

You will need a power point (outlet) near your door to plug in your AUTOSWING unit.



POWERING ON AND INITIALIZING

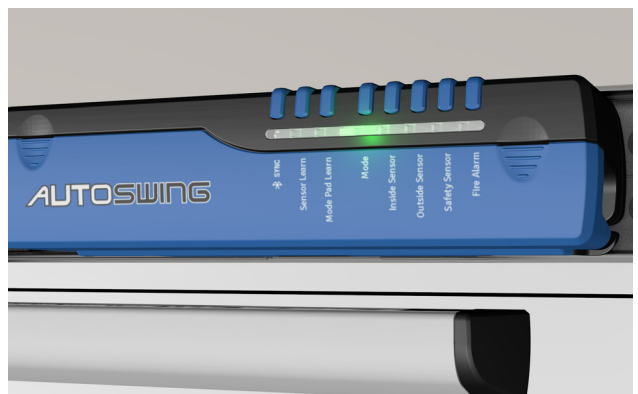
Ensure the blue power switch on the right end cap is set to OFF.



Configure DIP switch settings as desired. Ensure DIP switch #1 is flipped OFF. (Towards the front of the controller).

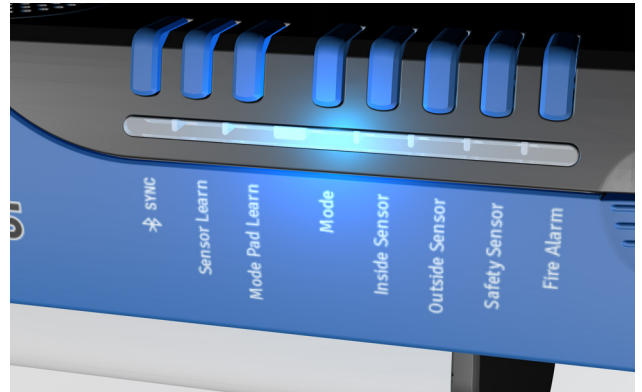


Using the MODE button, toggle to the Green mode.



OPERATE THE AUTOSWING

Turn DIP #1 ON, a blue light will start flashing.



Press the learn button, the door should now start to swing open until it hits a jamb or doorstop.

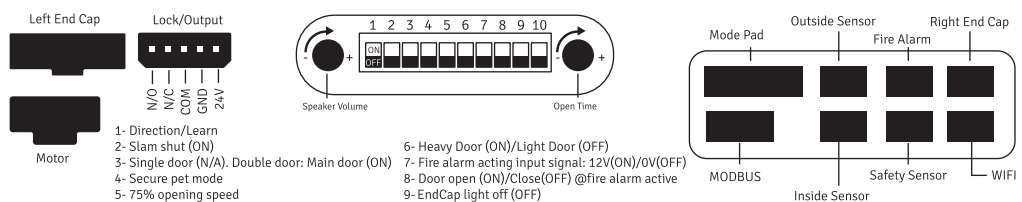
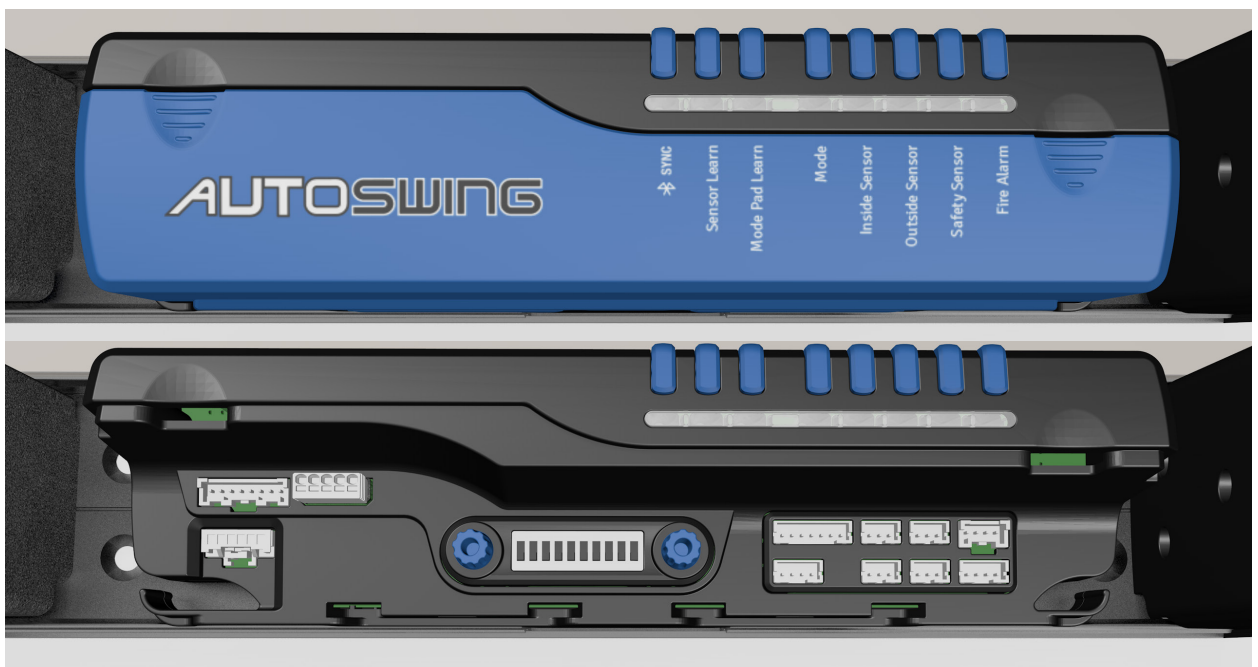
Then the door will closes. If the unit has a solid Green mode light the door now is set.

By pressing the MODE button, you can toggle between different door settings.

- Auto
- Lock
- Hold Open
- Pet Mode



AUTOSWING CONTROLLER



FCC Statement

This device complies with part 15 of the FCC Rules. Operation is subject to the following two conditions:

- (1) This device may not cause harmful interference, and
- (2) This device must accept any interference received, including interference that may cause undesired operation.

Any Changes or modifications not expressly approved by the party responsible for compliance could void the user's authority to operate the equipment.

Note: This equipment has been tested and found to comply with the limits for a Class B digital device, pursuant to part 15 of the FCC Rules. These limits are designed to provide reasonable protection against harmful interference in a residential installation. This equipment generates uses and can radiate radio frequency energy and, if not installed and used in accordance with the instructions, may cause harmful interference to radio communications. However, there is no guarantee that interference will not occur in a particular installation. If this equipment does cause harmful interference to radio or television reception, which can be determined by turning the equipment off and on, the user is encouraged to try to correct the interference by one or more of the following measures:

- Reorient or relocate the receiving antenna.
- Increase the separation between the equipment and receiver.
- Connect the equipment into an outlet on a circuit different from that to which the receiver is connected.
- Consult the dealer or an experienced radio/TV technician for help.



AUTOSWING

To find out more about AUTOSWING, please visit autoslide.com