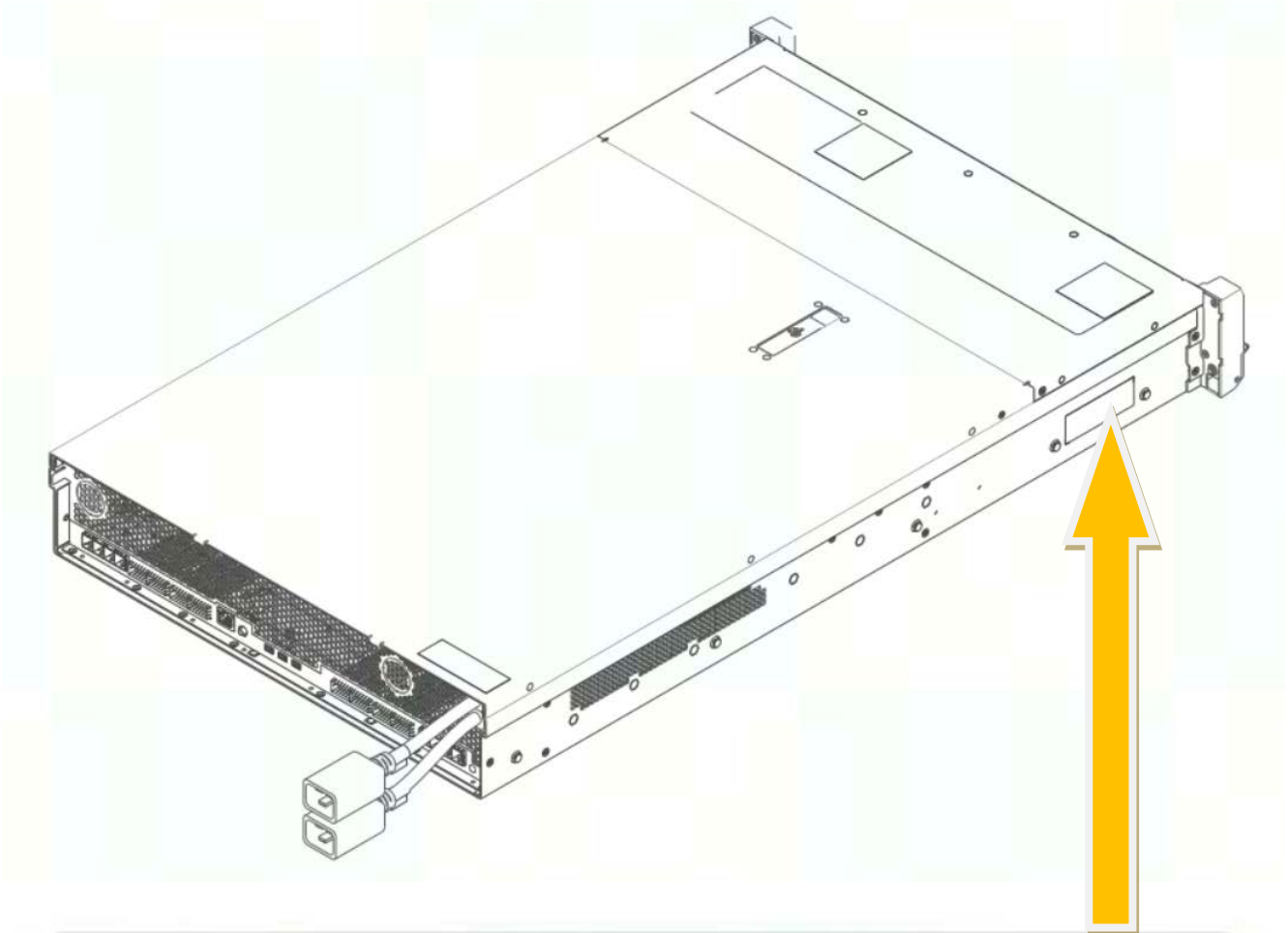


### Label and label location



#### **CAMBRICON TECHNOLOGIES Co., Ltd.**

**MODEL: MLU-X1001**

**INPUT: 115-127V~14.2A 50/60Hz**

**FCC ID: 2ARVF-MLU-X1001**

**INPUT: 200-240V~14.9A 50/60Hz**

This device complies with part 15 of the FCC Rules.

Operation is subject to the following two conditions:

- (1) This device may not cause harmful interference, and
- (2) this device must accept any interference received, including interference that may cause undesired operation.

**11/F, Block D, Zhizhen Tower, No.7 Zhichun Road,  
Haidian District, Beijing, China**

