

6000V CAT II 10A

 6000V CAT II 10A

C

E

FC



R

215-JLX092

FCC ID: 2ARUE-POMPRO

MODEL: POM-PRO

V

Ω

mA

|||

10A MAX 30SEC

EVERY

15MIN



A



THE UNIVERSITY OF CHICAGO PRESS

THE UNIVERSITY OF CHICAGO PRESS



F 10A

600VAC/DC

10kA HRC



F 0.5A

600VAC/DC

10kA HRC

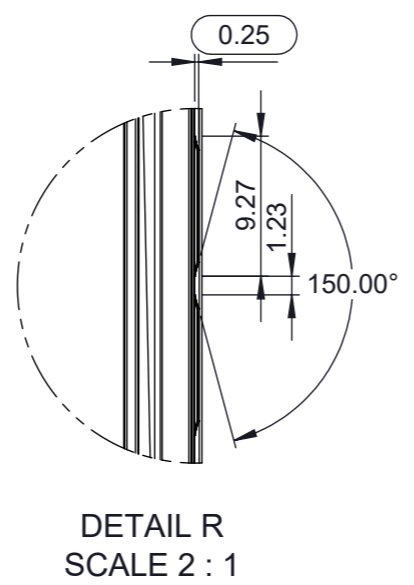
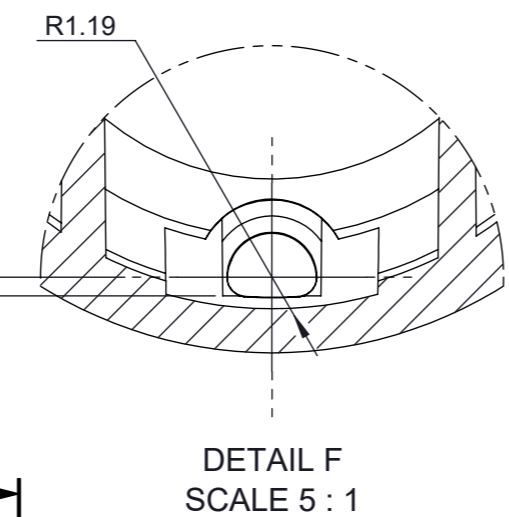
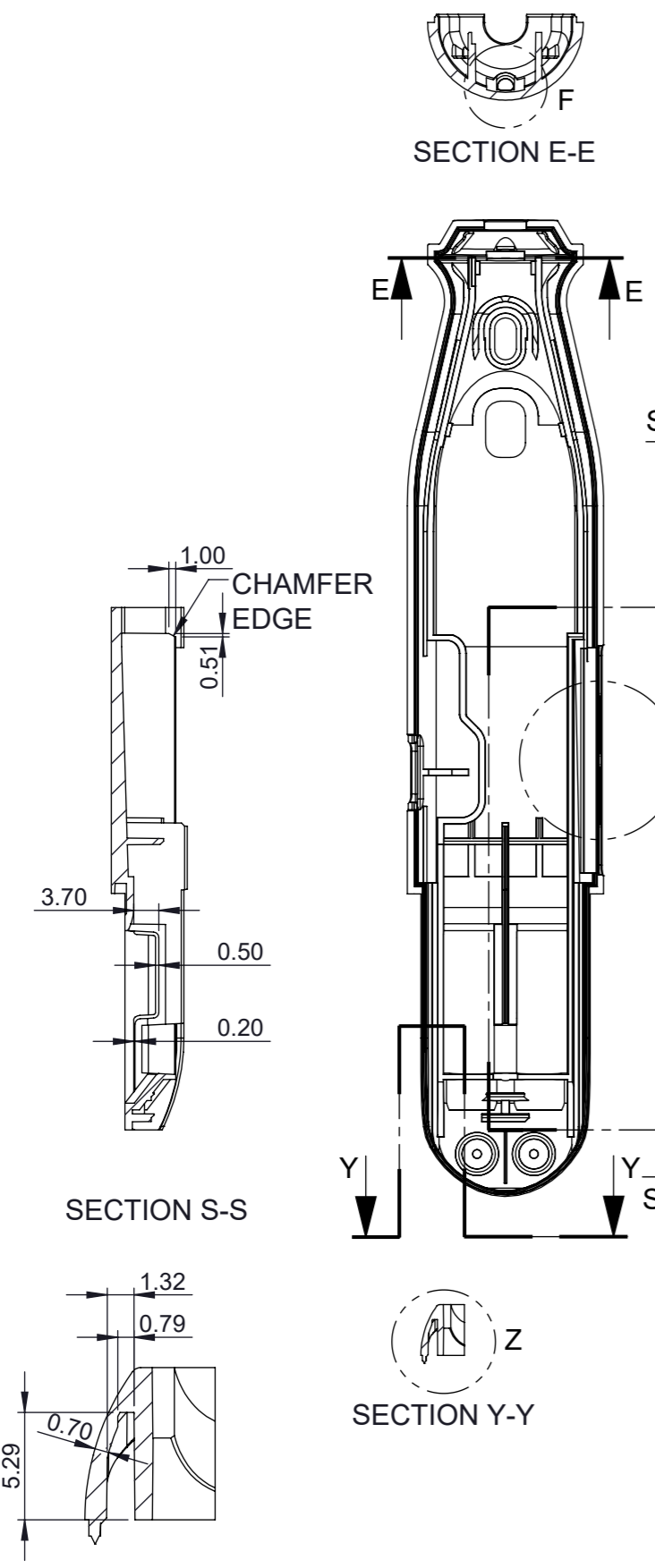
PERMISSIBLE DEVIATIONS FOR ANGULAR DIMENSIONS IN DEGREES AND MINUTES FOR RANGES OF LENGTH IN MILLIMETRES (UNLESS OTHERWISE SPECIFIED)

UP TO 10	±1°
>10 TO 50	±0°30'
>50 TO 120	±0°20'
>120 TO 400	±0°10'
>400	±0°5'

PERMISSIBLE DEVIATIONS FOR LINEAR DIMENSIONS IN MILLIMETRES FOR RANGES OF LENGTH (UNLESS OTHERWISE SPECIFIED)

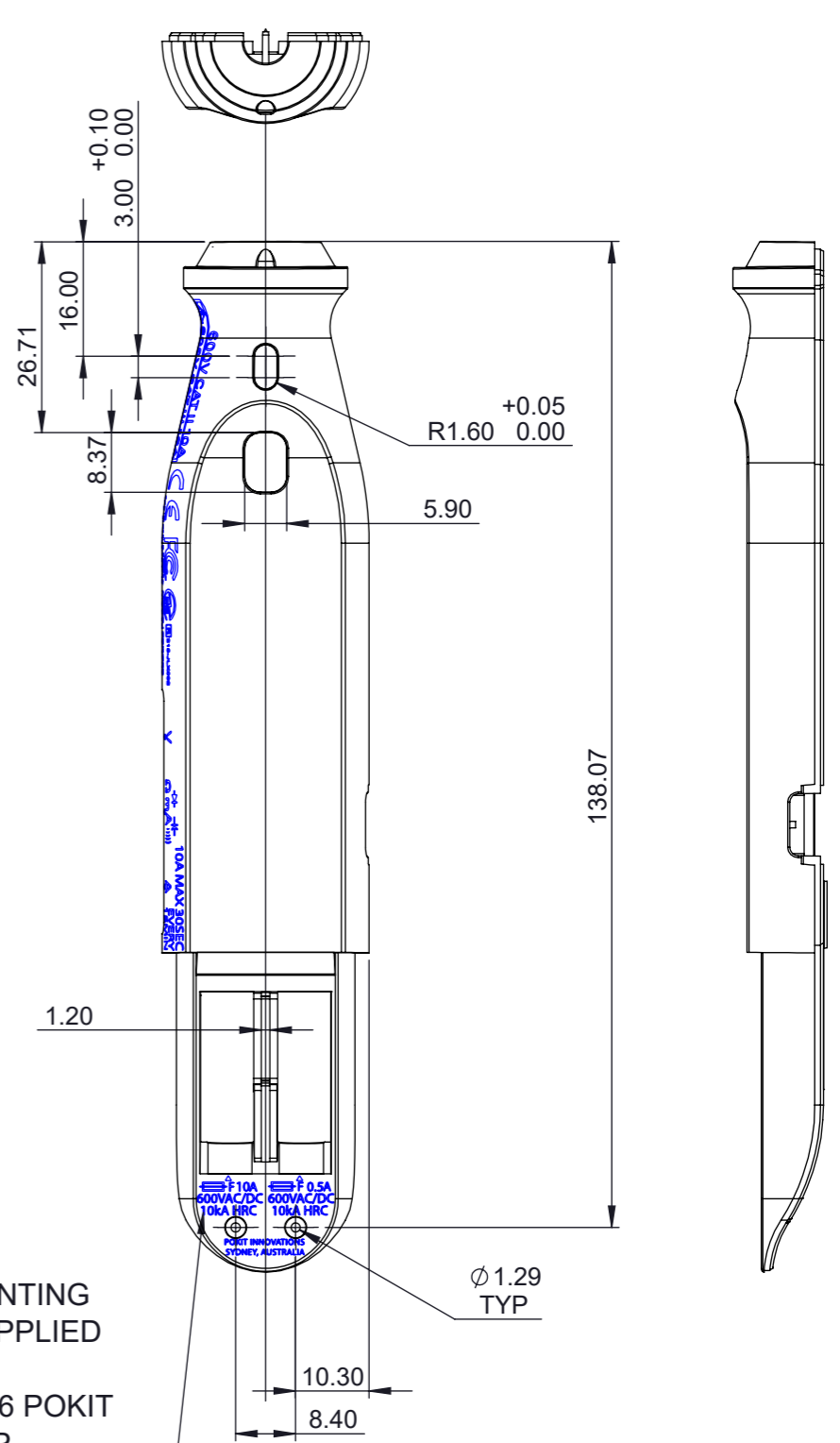
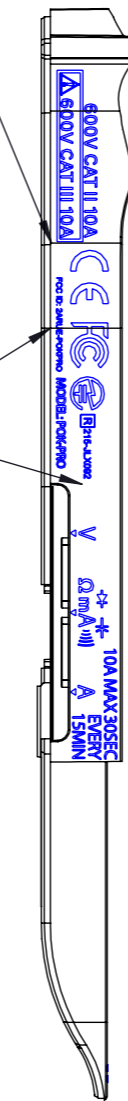
>0.5 TO 6	±0.1
>6 TO 30	±0.2
>30 TO 120	±0.3
>120 TO 400	±0.5
>400 TO 1000	±0.8
>1000 TO 2000	±1.2
>2000 TO 4000	±2

ISO 2768-m



PAD PRINTING TO BE APPLIED SEE: D0007946 POKIT PRO TOP ENCLOSURE ARTWORK

1.12 ADD ID NUMBERS



PAD PRINTING TO BE APPLIED SEE: D0007946 POKIT PRO TOP ENCLOSURE ARTWORK

PLASTIC COLOUR	PAD PRINT COLOUR
PANTONE: 432C	PANTONE: COOL GRAY 2C
PANTONE: COOL GRAY 2C	PANTONE: 432C

COMMERCIAL IN CONFIDENCE
 ©INGENUITY DESIGN GROUP. ALL RIGHTS RESERVED. NO PART OF THIS DOCUMENT MAY BE REPRODUCED, STORED IN A RETRIEVAL SYSTEM OR TRANSMITTED IN ANY FORM BY ANY MEANS WITHOUT PRIOR PERMISSION BY INGENUITY PRODUCT DESIGN, SUITE 2.2, 56 DELHI RD, NORTH RYDE, NSW, AUSTRALIA 2113 www.ingenuity-design.com.au.



COPYRIGHT 2020 DO NOT DISCLOSE TO ANY THIRD PARTY WITHOUT CONSENT

SEE NOTES	SEE NOTES	SEE NOTES	D0006048	
MATERIAL	COLOUR	SURFACE FINISH	DOCUMENT No.	
ALL DIMENSIONS ARE IN MILLIMETERS (mm) UNLESS OTHERWISE SPECIFIED	8844.74	NAME DATE RB 01/10/2021	SIZE A3	SCALE: 1:1 SHEET 2 OF 2
P0001764	PART VOLUME (mm3) C242	TEMPLATE NO/REV D0005466/1.01	POKIT PRO TOP ENCLOSURE	
PART No.	CLIENT ID	PROJECT ID	DRAWING TITLE	REV
		J368		1.12