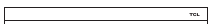


3 Welcome

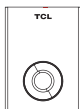
Congratulations on the purchase of your new TCL Sound Bar! After it is set up and connected, you can experience a super sound quality and state-of-the-art design to best fit your home entertainment system. You are recommended to read through this user manual which helps you set up, connect and operate the product easily and properly.

Let's get started.

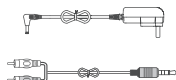
What's in the box



Sound Bar



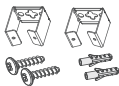
Subwoofer



AC adapter x 2
RCA-3.5mm cable



Remote control



Wall anchor x 2
Wall mount bracket x 2
Wall bracket screw x 2



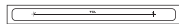
Warranty Card



Safety Leaflet



Quick Start Guide



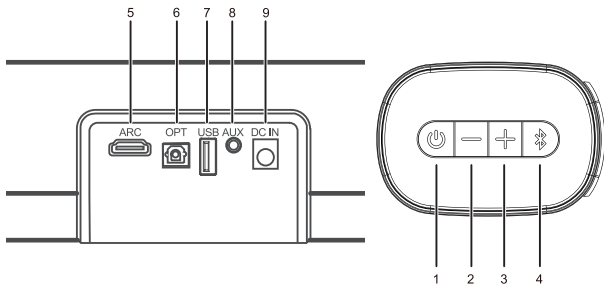
Wall Mount Template

Warning: To avoid the danger of suffocation, keep plastic packaging away from pets, babies, and children. Do not use packaging bags in cribs, beds, carriages, or playpens.

Overview of the Sound Bar

Button and jack definition:

Buttons and jacks are defined as follows:

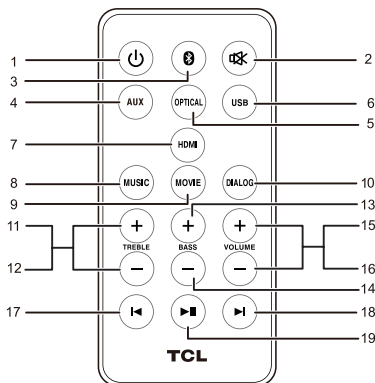


1. : Press to power on, short press to switch function, long press to power off
2. : Press for volume down
3. : Press for volume up
4. : Press for Bluetooth pairing
5. ARC: HDMI ARC
6. OPT: Optical input
7. USB: USB input
8. AUX: 3.5mm connector
9. DC IN: DC14V \equiv 2A input

Function indicator light:

1. Red light: in standby mode
2. White light: in operation

Overview of the Remote Control



1. : Press to power on and power off.
2. (MUTE): Press the mute button and turn on the sound button (white light will flash slowly when mute).
3. : Press to switch to Bluetooth mode.
Long press to enter Bluetooth pairing mode.
4. AUX: Press to switch to AUX mode.
5. OPTICAL: Press to switch to the Optical input mode.
6. USB: Press to switch to USB play when insert USB.
7. HDMI: Press to switch to HDMI mode.
8. MUSIC: Press to select the MUSIC sound mode.
9. MOVIE: Press to select the MOVIE sound mode.
10. DIALOG: Short press to select the DIALOG sound mode.
11. TREBLE +: Press to increase treble sound (the white light flashes, when hit the maximum or minimum level white light will be on).
12. TREBLE -: Press to decrease treble sound (the white light flashes, when hit the maximum or minimum level white light will be on).
13. BASS +: Press to increase bass sound (the white light flashes, when hit the maximum or minimum level white light will be on).
14. BASS -: Press to decrease bass sound (the white light flashes, when hit the maximum or minimum level white light will be on).
15. VOLUME +: Press to increase volume sound (the white light flashes, when hit the maximum or minimum level white light will be on).
16. VOLUME -: Press to decrease volume sound (the white light flashes, when hit the maximum or minimum level white light will be on).
17. Previous: Press to go to the previous track.
18. Play/Pause: Press to play or pause the current track.
19. Next: Press to go to the next track.

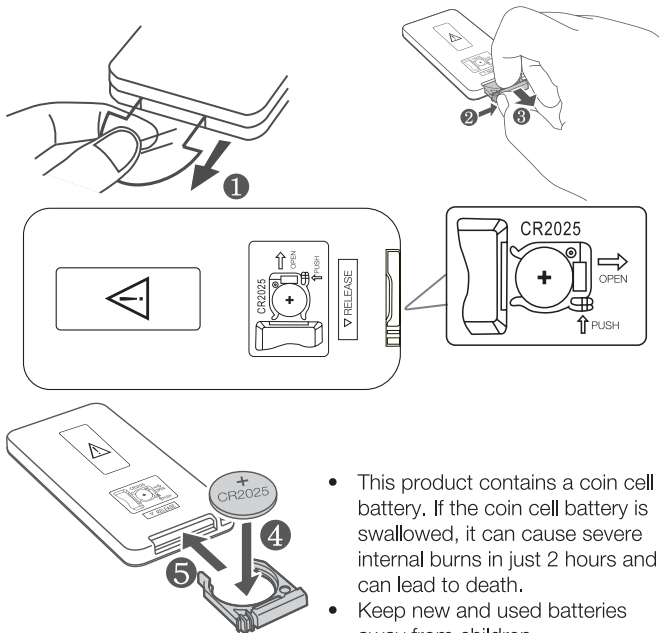
12. TREBLE -: Press to decrease treble sound (the white light flashes, when hit the maximum or minimum level white light will be on).
 13. BASS +: Press to increase bass (the white light flashes, when hit the maximum or minimum level white light will be on).
 14. BASS -: Press to decrease bass sound (the white light flashes, when hit the maximum or minimum level white light will be on).
 15. VOL +: Press or long press to increase volume (the white light flashes, when hit the maximum or minimum level white light will be on).
 16. VOL -: Press or long press to decrease volume (the white light flashes, when hit the maximum or minimum level white light will be on).
 17. ◀: Press to previous song under Bluetooth or USB mode.
 18. ▶: Press to next song under Bluetooth or USB mode.
In AUX mode, hold to adjust voice announcement level between three different levels.
 19. ▶||: Press to play or pause playing under Bluetooth or USB. Long press to Bluetooth pairing.
-

Install/replace the remote control batteries

Install the Remote Control:

The Remote Control has a pre-installed lithium CR2025 battery. Remove the protective tab to activate the Remote Control battery.

Note: The Remote Control works within a range of 19.7 feet.



- If you think batteries might have been swallowed or placed inside any part of the body, seek immediate medical attention.

CAUTION: Danger of explosion if battery is incorrectly replaced. Replace only with the same or equivalent type.

WARNING: Do not expose the battery to excessive heat such as direct sunlight or fire.

- This product contains a coin cell battery. If the coin cell battery is swallowed, it can cause severe internal burns in just 2 hours and can lead to death.
- Keep new and used batteries away from children.
- If the battery compartment does not close securely, stop using the product and keep it away from children.

4 Set up your Sound Bar system

Make sure you read all the safety information before you mount the Sound Bar on the wall.

Make sure you use screws provided or specified by the authorized manufacturer.

TCL bears no responsibility for accidents or damage caused by improper wall mounting and screws installation or insufficient wall strength, etc.

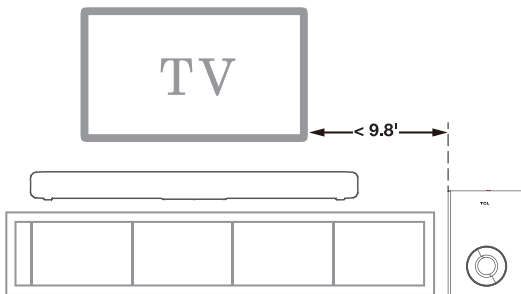
Additional tools (not supplied) are required for installation.

Position Your Sound Bar and Subwoofer

The ideal place to position the Sound Bar is centered underneath your TV.

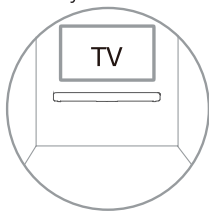
You are recommended to place the Sound Bar on the top of the cabinet and right below the center of your TV. The distance between the subwoofer and the Sound Bar should be less than 9.8'.

Note: Do not place your sound bar in a location exposed to direct sunlight, heat, fire, or moisture.



Mount your Sound Bar on the wall

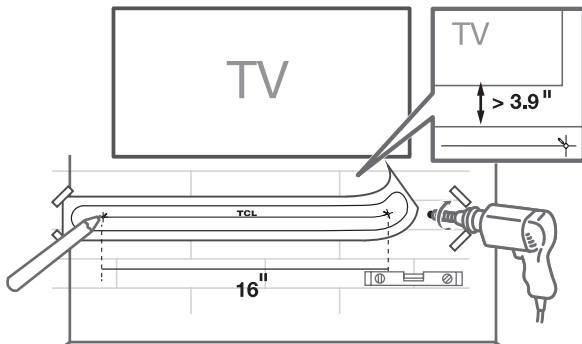
You can choose to mount your Sound Bar on the wall.



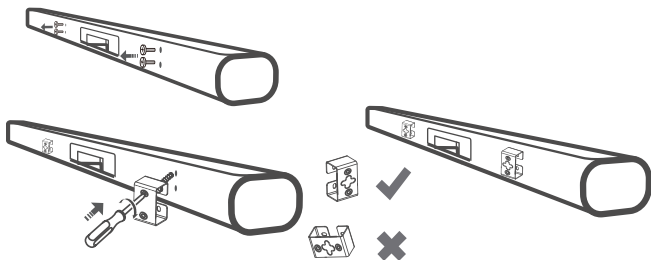
1. Place the supplied wall mount template on the wall. Make sure the wall mount template is at least 3.9" below the center of the TV.
2. Use a level to make sure the Sound Bar is positioned accurately.
3. Use the tape to stick the wall mount template firmly on the wall.
4. Mark on the wall using each marking on the template

through the mounting holes.

5. Take away the wall mount template.
6. Drill a screw hole at each marking on the wall.



7. Take out the screws from the rear of the sound bar, 2 per side.
8. Use a screwdriver to attach the mounting brackets to the sound bar.
9. Installation complete.



10. Insert the supplied wall anchors into 2 screw holes on