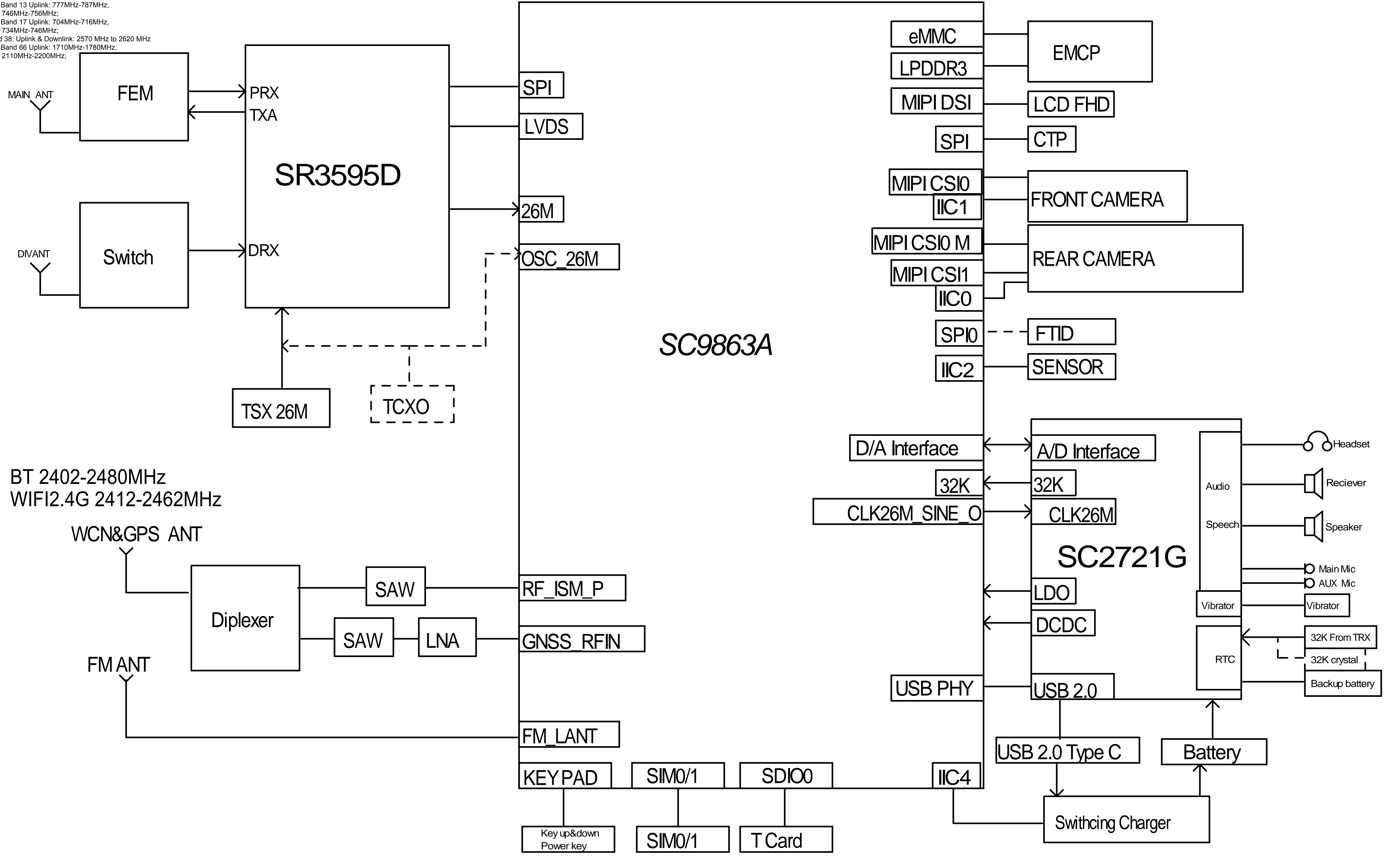


GSM850: TX824.2MHz~848.8MHz /RX869.2MHz~893.8MHz;  
 UMTS FDD Band V: TX826.4MHz~846.6MHz /RX871.4MHz~891.6MHz;  
 PCS1900: TX1850.2MHz~1909.8MHz /RX1930.2MHz~1989.8MHz;  
 UMTS FDD Band II: TX1852.4MHz~1907.6MHz /RX1932.4MHz~1987.6MHz;  
 UMTS-FDD Band IV :TX1710MHz~1755MHz /RX2110MHz~2155MHz  
 LTE FDD Band 2 Uplink: 1850MHz-1910MHz,  
 Downlink: 1930MHz-1990MHz;  
 LTE FDD Band 4 Uplink: 1710MHz-1755MHz,  
 Downlink: 2110MHz-2155MHz;  
 LTE FDD Band 5 Uplink: 824MHz-849MHz,  
 Downlink: 869MHz-894MHz;  
 LTE-FDD Band 7 Uplink: 2500MHz-2570MHz,  
 Downlink: 2620MHz-2690MHz;  
 LTE FDD Band 12 Uplink: 699MHz-716MHz,  
 Downlink: 729MHz-746MHz;  
 LTE FDD Band 13 Uplink: 777MHz-787MHz,  
 Downlink: 746MHz-756MHz;  
 LTE FDD Band 17 Uplink: 704MHz-716MHz,  
 Downlink: 734MHz-746MHz;  
 TDD Band 38: Uplink & Downlink: 2570 MHz to 2620 MHz  
 LTE FDD Band 66 Uplink: 1710MHz-1780MHz,  
 Downlink: 2110MHz-2200MHz;

# BLOCK DIAGRAM



BT 2402-2480MHz  
 WIFI2.4G 2412-2462MHz

SC9863A

SC2721G

Key up&down  
Power key

SIM0/1

T Card

Switching Charger

Battery

USB 2.0 Type C

USB 2.0

RTC

Vibrator

AUX Mic

Main Mic

Speaker

Receiver

Headset

USB PHY

CLK26M\_SINE\_O

32K

D/A Interface

A/D Interface

IIC2

SENSOR

SPI0

FTID

IIC0

REAR CAMERA

MIPI CSI1

FRONT CAMERA

MIPI CSI0 M

IIC1

LCD FHD

MIPI DSI

CTP

SPI

EMCP

LPDDR3

eMMC

IIC4

Switching Charger

SDIO0

SIM0/1

SIM0/1

KEYPAD

Key up&down  
Power key

FM\_LANT

FM ANT

32K From TRX

32K crystal

Backup battery

Vibrator

Speaker

Receiver

Headset

Audio

Speech

RTC

Vibrator

AUX Mic

Main Mic

Speaker

Receiver

Headset

Audio

Speech

RTC

Vibrator

AUX Mic

Main Mic

Speaker

Receiver

Headset