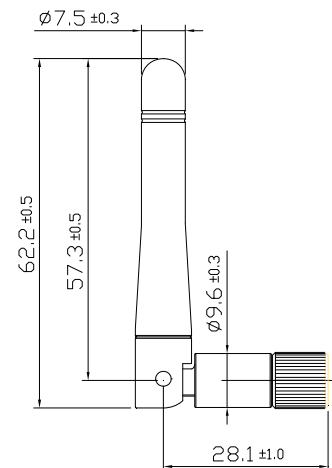
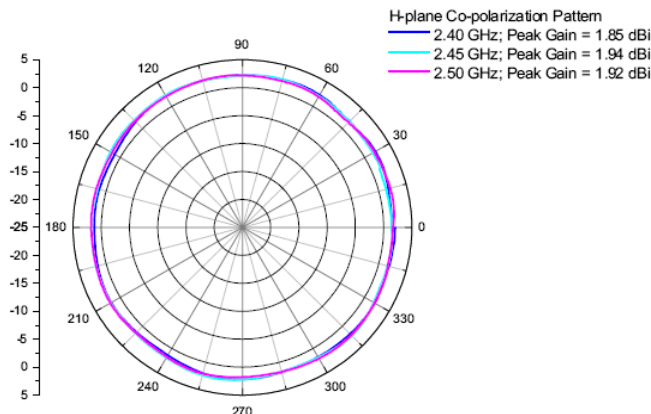
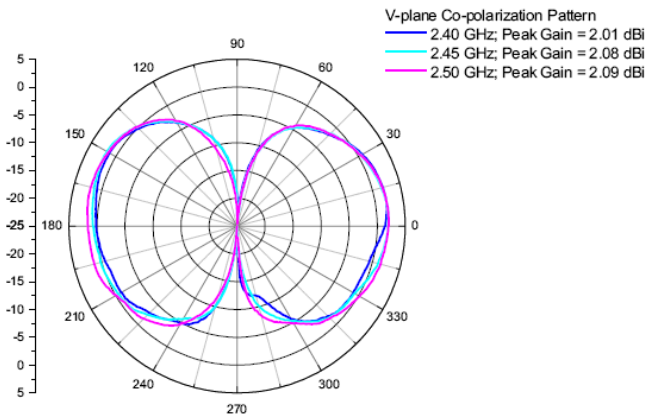


RFA-02-L2M2-M10-N

Specifications

Frequency range	2400 MHz – 2500 MHz
Antenna gain	2 dBi
VSWR	2.0 : 1 Max.
Polarization	Linear, vertical
Impedance	50 Ω
Temperature	- 10°C to +55°C
Connector	R SMA PLUG



Specification

Description: Dipole antenna

Part NO.: RFA-02-L2M2-M10-N

Electrical specification

1. Frequency range: 2400 – 2500MHz
2. Gain: 2.0dBi (Omni, Average gain)
3. VSWR: ≤ 2.0
4. Polarization: Linear, vertical
5. Impedance: 50 Ohm

Mechanical Testing Results

Condition : Non operating during test.

Mandatory : Guaranty of functionalities after test.

Resistance test result: (tests are applicable to all parts and both sides.)

Bending force test result:

- 1). Number of 90° at the hinge parts and bending on one direction with 1 lbs force: **1000 cycles.**
- 2). Bending at the antenna hinge parts reversely guaranteed the quality under **1 kgw** force.