

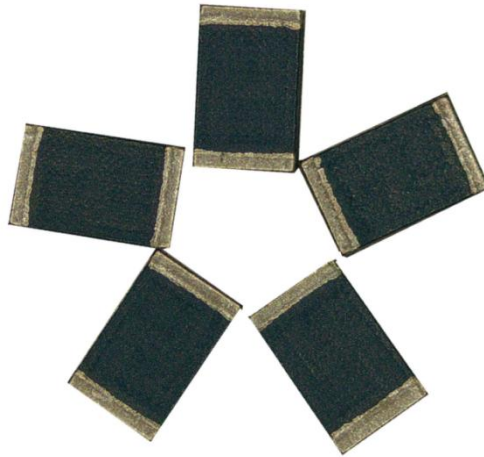
2.0X1.2X0.6 (mm) WiFi/Bluetooth Ceramic Chip Antenna (YF2012)

Engineering Specification

1. Product Number

YF 2012 F2 P 2G45 02

1 2 3 4 5 6



(1)Product Type	Chip Antenna
(2)Size Code	2.0x1.2mm
(3)Type Code	F2
(4)Packing	Paper &Reel
(5)Frequency	2.45GHz
(6)Internal code	02



深圳市迎丰天线技术有限公司
SHEN ZHEN YINGFENG ANTENNA TECHNOLOGYCO., LTD
 地址：深圳市南山区桃源街道平山社区丽山路2号平山村185号501
 Address:Room 501, No.185, Pingshan Village, No.2 Lishan Road, Pingshan Community,
 Taoyuan Street, Nanshan District, Shenzhen

Prepared by : **JIEXI** Designed by : **Jason** Checked by : **Jason** Approved by : **MR.FANG**

TITLE : 2.0 x 1.2 x 0.6(mm) WiFi/Bluetooth Ceramic Chip Antenna (YF2012) Engineering Specification	DOCUMENT NO.	YF2012F2P2G4502	REV.
			B

2. Features

- *Stable and reliable in performances
- *Low temperature coefficient of frequency
- *Low profile, compact size
- *RoHS compliance
- *SMT processes compatible

3. Applications

- *Bluetooth earphone systems
- *Hand-held devices when WiFi /Bluetooth functions are needed, e.g., Smart phone.
- *IEEE802.11 b/g/n
- *ZigBee
- *Wireless PCMCIA cards or USB dongle

4. Description

Yingfeng chip antenna series are specially designed for WiFi/Bluetooth applications. Based on yingfeng proprietary design and processes, this chip antenna has excellent stability and sensitivity to consistently provide high signal reception efficiency.

5. Electrical Specifications (80 x 40 mm² ground plane)

5-1. Electrical Table

Characteristics		Specifications	Unit
Outline Dimensions		2.0x1.2x0.6	mm
Working Frequency		2400~2500	MHz
VSWR		2 Max.	
Impedance		50	Ω
Polarization		Linear Polarization	
Gain	Peak	2.5 (typical)	dBi
	Efficiency	75 (typical)	%



深圳市迎丰天线技术有限公司

SHEN ZHEN YINGFENG ANTENNA TECHNOLOGYCO., LTD

Prepared by : JIEXI

Designed by : Jason

Checked by : Jason

Approved by : MR.FANG

TITLE : 2.0 x 1.2 x 0.6(mm) WiFi/Bluetooth Ceramic Chip
Antenna (YF2012) Engineering Specification

DOCUMENT
NO.

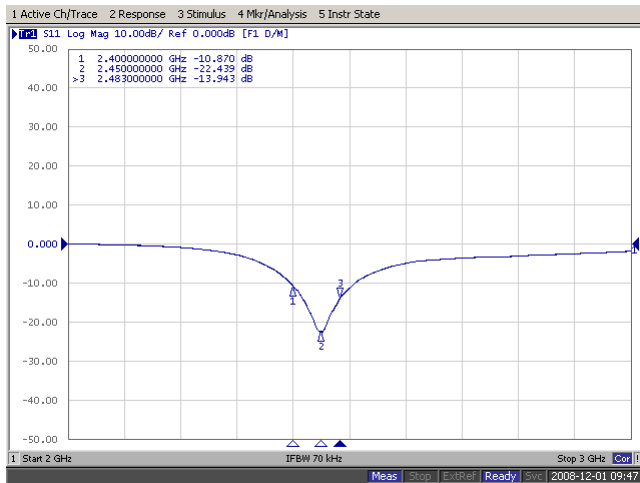
YF2012F2P2G4502

REV.

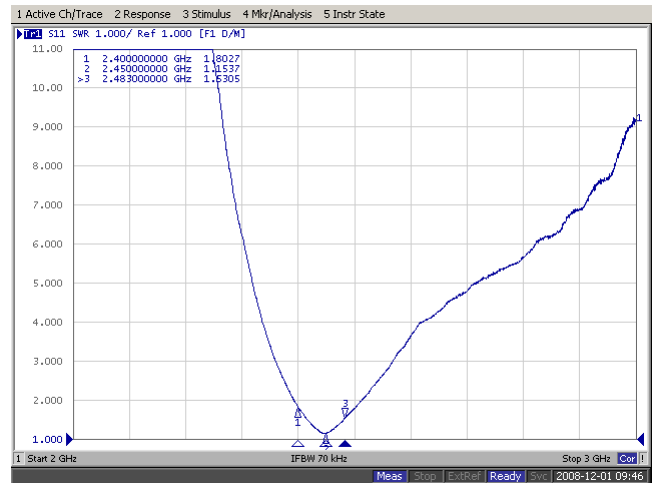
B

5-2. Return Loss & VSWR

Return Loss (S₁₁)

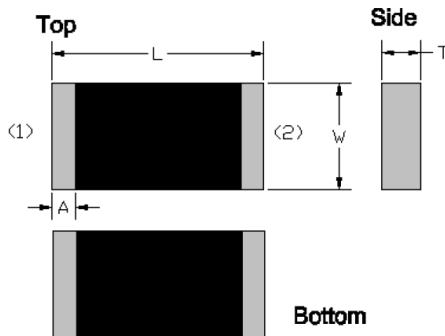


VSWR(S₁₁)



6. Antenna Dimensions & Test Board (unit: mm)

a. Antenna Dimensions



Dimension (mm)	
L	2.05±0.15
W	1.20±0.15
T	0.50±0.10
A	0.20±0.10

No.	Terminal Name
1	Feeding/GNG
2	GND/Feeding

P.S : Top & down and left & right side are symmetrical, No direction



深圳市迎丰天线技术有限公司
SHEN ZHEN YINGFENG ANTENNA TECHNOLOGYCO., LTD

Prepared by : **JIEXI**

Designed by : **Jason**

Checked by : **Jason**

Approved by : **MR.FANG**

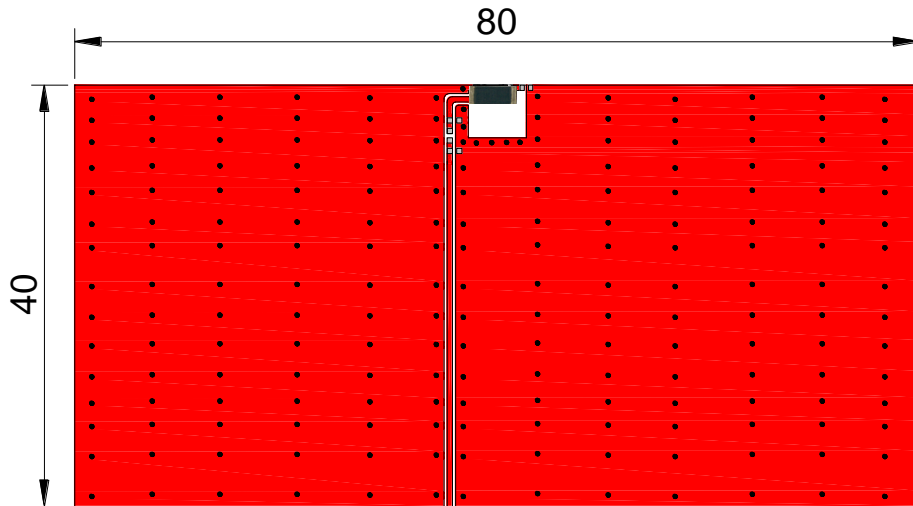
TITLE : 2.0 x 1.2 x 0.6(mm) WiFi/Bluetooth Ceramic Chip Antenna (YF2012) Engineering Specification

DOCUMENT NO.

YF2012F2P2G4502

REV. B

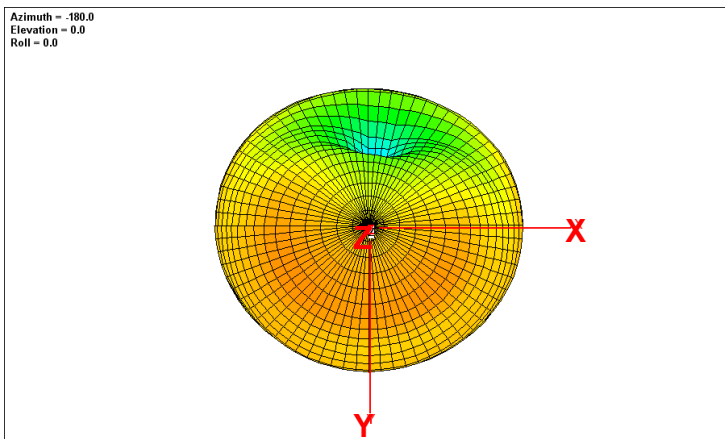
b. Test Board with Antenna



Unit: mm

7. Radiation Pattern (80 x 40 mm² ground plane)

7-1. 3D Gain Pattern @ 2442 MHz



深圳市迎丰天线技术有限公司
 SHEN ZHEN YINGFENG ANTENNA TECHNOLOGYCO., LTD

Prepared by : **JIEXI**

Designed by : **Jason**

Checked by : **Jason**

Approved by : **MR.FANG**

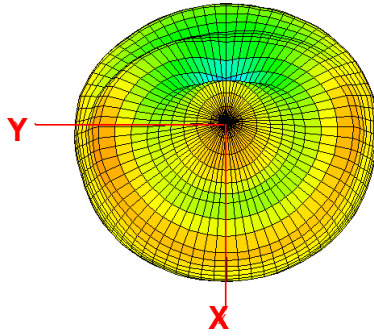
**TITLE : 2.0 x 1.2 x 0.6(mm) WiFi/Bluetooth Ceramic Chip
 Antenna (YF2012) Engineering Specification**

**DOCUMENT
 NO.**

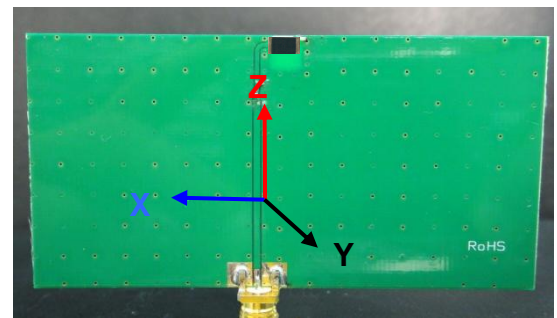
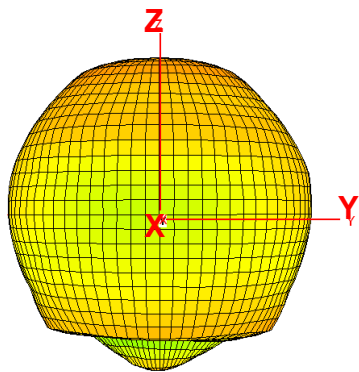
YF2012F2P2G4502

REV.
B

Azimuth - 180.0
Elevation - 5.1
Roll - 180.0



Azimuth - 0.0
Elevation - 50.0
Roll - 180.0



7-2. 3D Efficiency Table

Frequency(MHz)	2400	2410	2420	2430	2442	2450	2460	2470	2480	2490	2500
Efficiency (dB)	-1.4	-1.0	-0.9	-0.7	-0.7	-0.8	-0.9	-1.1	-1.2	-1.3	-1.4
Efficiency (%)	72.8	73.7	74.3	74.4	75.5	75.0	74.0	73.6	73.1	72.6	71.5
Gain (dBi)	2.1	2.2	2.3	2.4	2.5	2.5	2.4	1.8	1.7	1.6	1.4



深圳市迎丰天线技术有限公司
SHEN ZHEN YINGFENG ANTENNA TECHNOLOGYCO., LTD

Prepared by : JIEXI

Designed by : Jason

Checked by : Jason

Approved by : MR.FANG

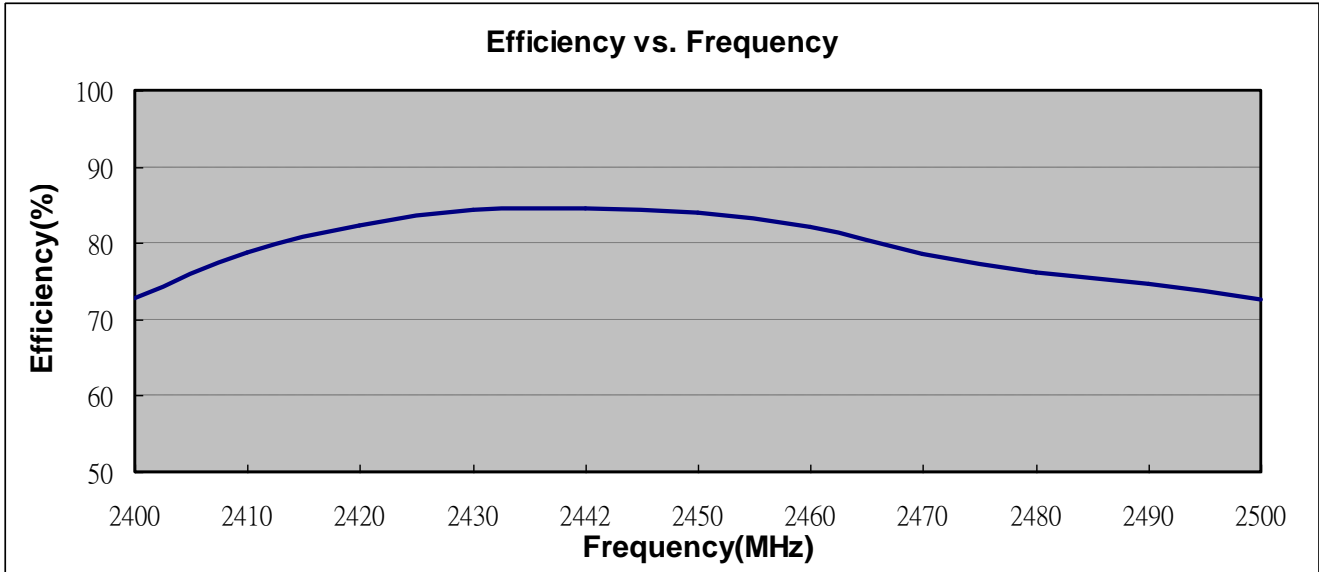
TITLE : 2.0 x 1.2 x 0.6(mm) WiFi/Bluetooth Ceramic Chip
Antenna (YF2012) Engineering Specification

DOCUMENT
NO.

YF2012F2P2G4502

REV.
B

7-3. 3D Efficiency vs. Frequency



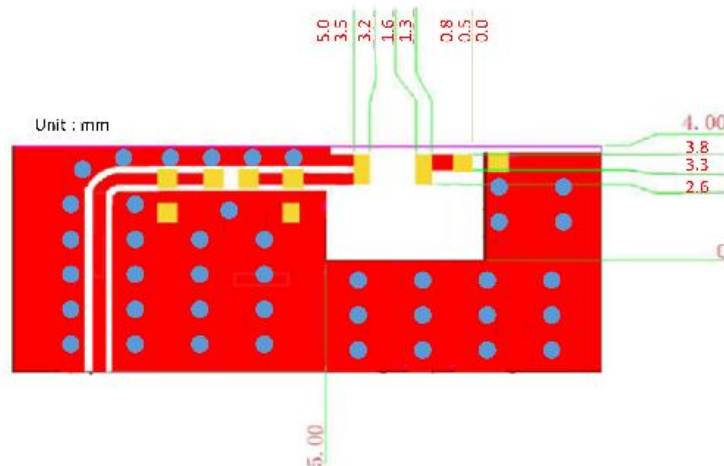
8. Layout Guide

a. Solder Land Pattern:

Land pattern for soldering (gray marking areas) is as shown below. Depending on Customer's requirement, matching circuit as shown below is also recommended.

2). PCB Top View :

Type1 :



深圳市迎丰天线技术有限公司
SHEN ZHEN YINGFENG ANTENNA TECHNOLOGYCO., LTD

Prepared by : **JIEXI**

Designed by : **Jason**

Checked by : **Jason**

Approved by : **MR.FANG**

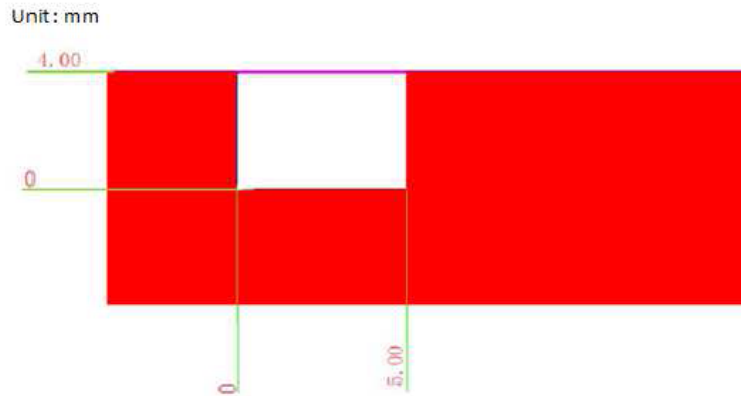
TITLE : **2.0 x 1.2 x 0.6(mm) WiFi/Bluetooth Ceramic Chip Antenna (YF2012) Engineering Specification**

DOCUMENT NO.

YF2012F2P2G4502

REV.
B

Top View

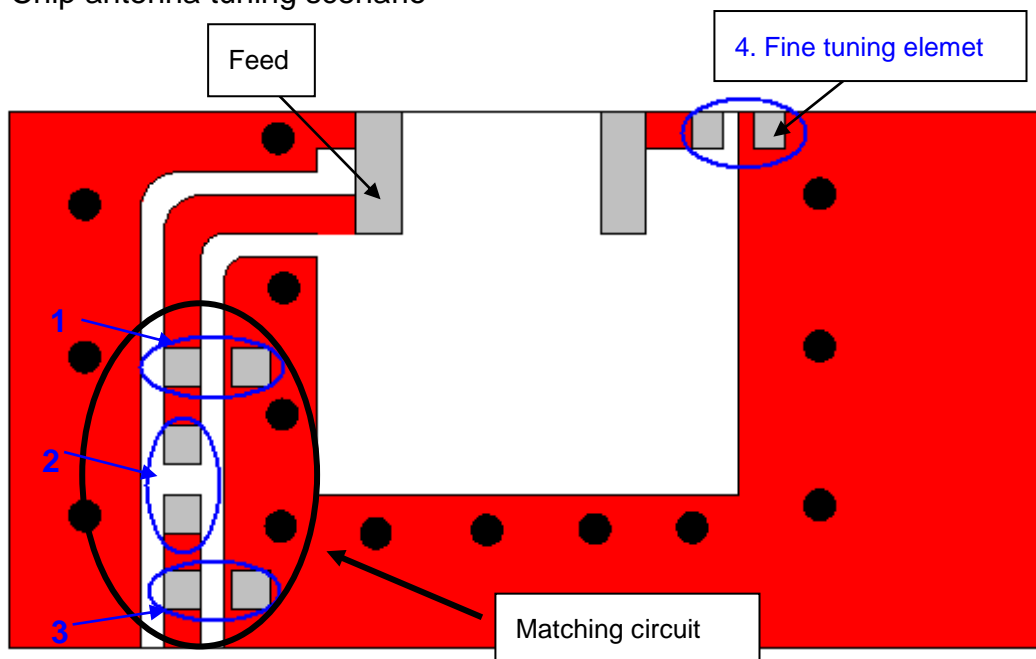


Bottom View

Unit : mm

9. Frequency tuning

a. Chip antenna tuning scenario :



深圳市迎丰天线技术有限公司
SHEN ZHEN YINGFENG ANTENNA TECHNOLOGYCO., LTD

Prepared by : JIEXI

Designed by : Jason

Checked by : Jason

Approved by : MR.FANG

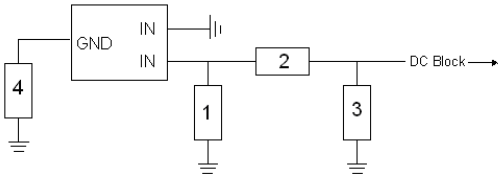
TITLE : 2.0 x 1.2 x 0.6(mm) WiFi/Bluetooth Ceramic Chip
Antenna (YF2012) Engineering Specification

DOCUMENT
NO.

YF2012F2P2G4502

REV.
B

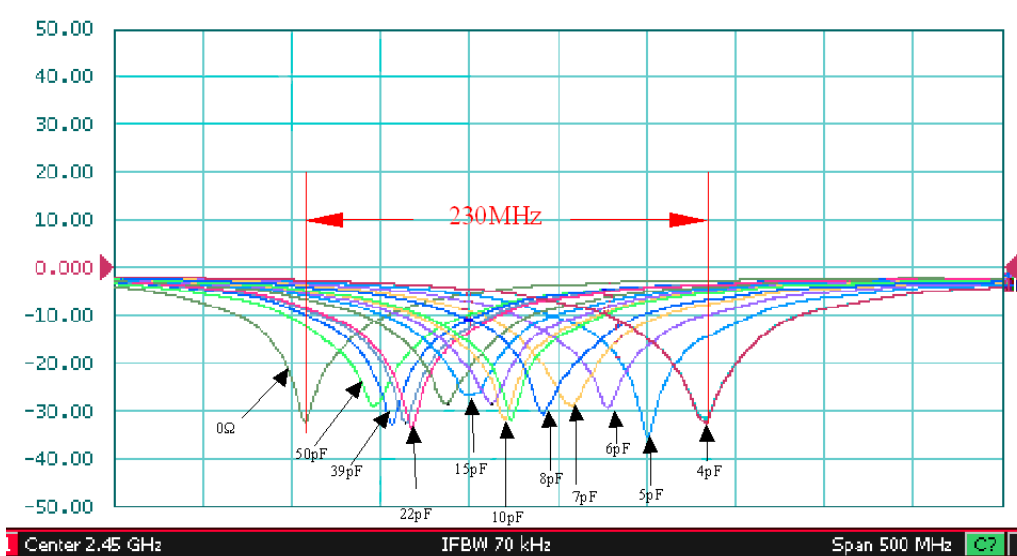
b. Matching circuit : (Center frequency is about 2442 MHz @ 80 x 40 mm² ground plane)



System Matching Circuit Component			
Location	Description	Vendor	Tolerance
1	1.2 pF*	Murata (0402)	±0.1 pF
2	10PF*	Murata(0402)	±0.5 PF
3	N/A*	-	-
Fine tuning element 4	1.5 pF*	Murata (0402)	±0.1 pF

*Typical reference values which may need to be changed when circuit boards or part vendors are different.

c. Fine tuning element vs. Center frequency



深圳市迎丰天线技术有限公司
SHEN ZHEN YINGFENG ANTENNA TECHNOLOGYCO., LTD

Prepared by : JIEXI

Designed by : Jason

Checked by : Jason

Approved by : MR.FANG

TITLE : 2.0 x 1.2 x 0.6(mm) WiFi/Bluetooth Ceramic Chip Antenna (YF2012) Engineering Specification

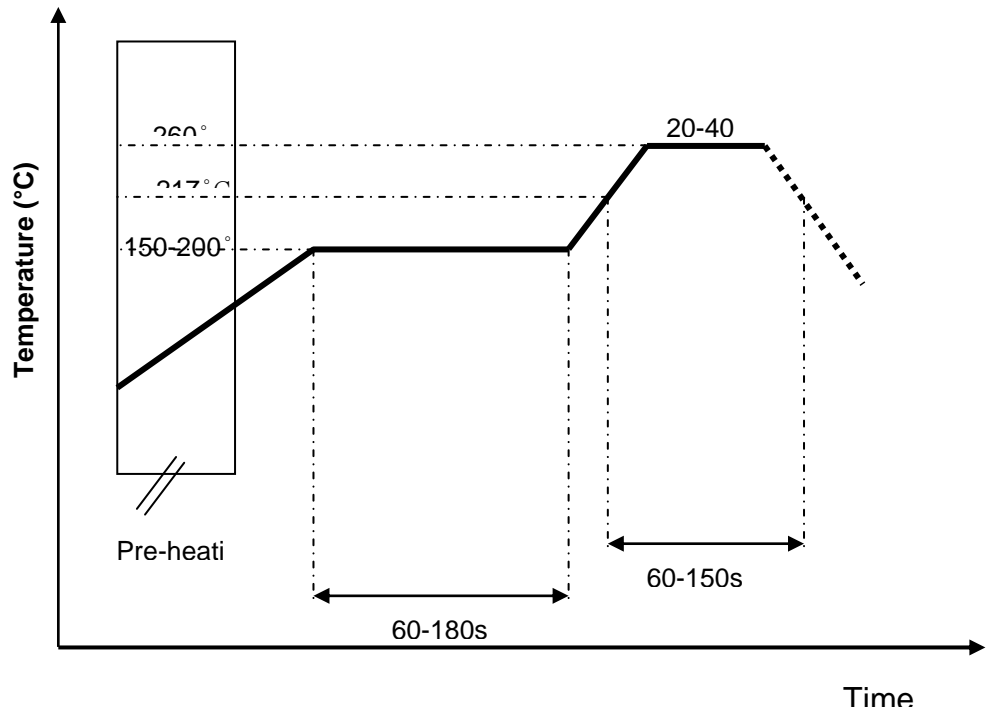
DOCUMENT NO.

YF2012F2P2G4502

REV. B

10. Soldering Conditions

a. Typical Soldering Profile for Lead-free Process



深圳市迎丰天线技术有限公司
SHEN ZHEN YINGFENG ANTENNA TECHNOLOGYCO., LTD

Prepared by : JIEXI

Designed by : Jason

Checked by : Jason

Approved by : MR.FANG

TITLE : 2.0 x 1.2 x 0.6(mm) WiFi/Bluetooth Ceramic Chip Antenna (YF2012) Engineering Specification

DOCUMENT NO.

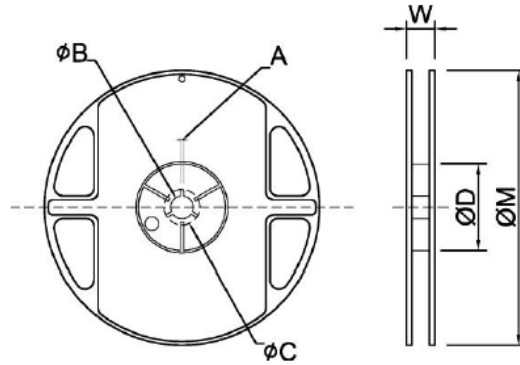
YF2012F2P2G4502

REV. B

11. Packing

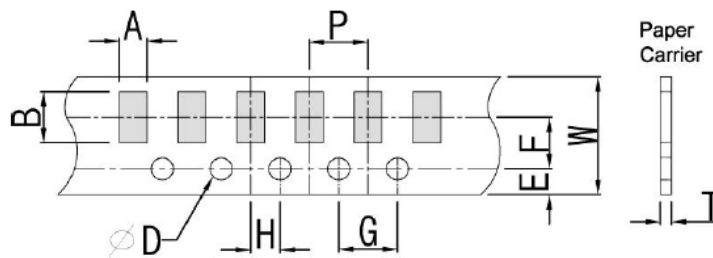
- (1) Quantity/Reel: 5000 pcs/Reel
- (2) Plastic tape:

Reel Specification



TYPE	SIZE		A	φ B	φ C	φ D	W	φ M
2012	7"	5K/Reel	2.0±0.5	13.5±1.0	21±1.0	60±1.0	11.5±2.0	178±2.0

Tapping Specification



Packaging	Type	A	B	W	E	F	G	H	T	φ D	P
Paper Type	3216	1.90±0.20	3.50±0.20	8.0±0.20	1.75±0.10	3.5±0.05	4.0±0.10	2.0±0.05	0.75±0.10	1.50 +0.10 -0	4.0±0.1



深圳市迎丰天线技术有限公司
SHEN ZHEN YINGFENG ANTENNA TECHNOLOGYCO., LTD

Prepared by : JIEXI

Designed by : Jason

Checked by : Jason

Approved by : MR.FANG

TITLE : 2.0 x 1.2 x 0.6(mm) WiFi/Bluetooth Ceramic Chip Antenna (YF2012) Engineering Specification

DOCUMENT NO.

YF2012F2P2G4502

REV. B

Reliability Table

Test Item	Procedure	Requirements Ceramic Type	Remark (Reference)
Electrical Characterization		Fulfill the electrical specification	User Spec.
Thermal Shock	1. Preconditioning: $50 \pm 10^{\circ}\text{C}$ / 1 hr, then keep for 24 ± 1 hrs at room temp. 2. Initial measure: Spec: refer Initial spec. 3. Rapid change of temperature test: -30°C to $+85^{\circ}\text{C}$; 100 cycles; 15 minutes at Lower category temperature; 15 minutes at Upper category temperature.	No Visible Damage. Fulfill the electrical specification.	MIL-STD-202 107
Temperature Cycling	1. Initial measure: Spec: refer Initial spec. 2. 100 Cycles (-30°C to $+85^{\circ}\text{C}$), Soak Mode=1 (2 Cycle/hours). 3. Measurement at 24 ± 2 Hours after test condition.	No Visible Damage. Fulfill the electrical specification.	JESD22 JA104
High Temperature Exposure	1. Initial measure: Spec: refer Initial spec. 2. Unpowered; 500hours @ $T=+85^{\circ}\text{C}$. 3. Measurement at 24 ± 2 hours after test.	No Visible Damage. Fulfill the electrical specification.	MIL-STD-202 108
Low Temperature Storage	1. Initial measure: Spec: refer Initial spec. 2. Unpowered: 500hours @ $T= -30^{\circ}\text{C}$. 3. Measurement at 24 ± 2 hours after test.	No Visible Damage. Fulfill the electrical specification.	MIL-STD-202 108
Solderability (SMD Bottom Side)	Dipping method: a. Temperature: $235 \pm 5^{\circ}\text{C}$ b. Dipping time: $3 \pm 0.5\text{s}$	The solder should cover over 95% of the critical area of bottom side.	IEC 60384-21/22 4.10
Soldering Heat Resistance (RSH)	Preheating temperature: $150 \pm 10^{\circ}\text{C}$. Preheating time: 1~2 min. Solder temperature: $260 \pm 5^{\circ}\text{C}$. Dipping time: $5 \pm 0.5\text{s}$	No Visible Damage.	IEC 60384-21/22 4.10
Vibration	5g's for 20 min., 12 cycles each of 3 orientations Note: Use 8"x5" PCB .031" thick 7 secure points on, one long side and 2 secure points at corners of opposite sides. Parts mounted within 2" from any secure point. Test from 10-2000 Hz.	No Visible Damage.	MIL-STD-202 Method 204
Mechanical Shock	Three shocks in each direction shall be applied along the three mutually perpendicular axes of the test specimen (18 shocks) Peak value: 1,500g's Duration: 0.5ms Velocity change: 15.4 ft/s Waveform: Half-sine	No Visible Damage.	MIL-STD-202 Method 213
Humidity Bias	1. Humidity: 85% R.H., Temperature: $85 \pm 2^{\circ}\text{C}$. 2. Time: 500 ± 24 hours. 3. Measurement at 24 ± 2 hrs after test condition.	No Visible Damage. Fulfill the electrical specification.	MIL-STD-202 Method 106



深圳市迎丰天线技术有限公司

SHEN ZHEN YINGFENG ANTENNA TECHNOLOGYCO., LTD

Prepared by : JIEXI

Designed by : Jason

Checked by : Jason

Approved by : MR.FANG

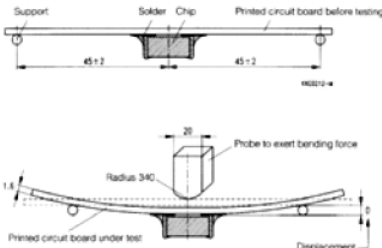
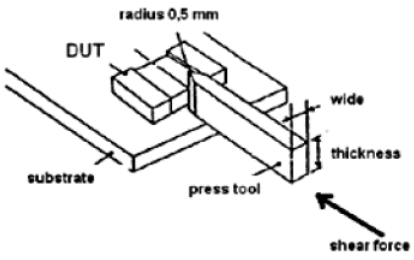
TITLE : 2.0 x 1.2 x 0.6(mm) WiFi/Bluetooth Ceramic Chip
Antenna (YF2012) Engineering Specification

DOCUMENT
NO.

YF2012F2P2G4502

REV.

B

Board Flex (SMD)	<p>1. Mounting method: IR-Reflow. PCB Size (L:100 × W:40 × T:1.6mm)</p> <p>2. Apply the load in direction of the arrow until bending reaches 2 mm.</p> 	No Visible Damage.	AEC-Q200 005
Adhesion	<p>Force of 1.8Kg for 60 seconds.</p> 	No Visible Damage Magnification of 20X or greater may be employed for inspection of the mechanical integrity of the device body terminals and body/terminal junction.	AEC-Q200 006
Physical Dimension	<p>Any applicable method using x10 magnification, micrometers, calipers, gauges, contour projectors, or other measuring equipment, capable of determining the actual specimen dimensions.</p>	In accordance with specification.	JESD22 JB100

Revision History

Revision	Date	Content
1	2015/8/20	New issue
2	2017/4/20	Update detail dimension on antenna layout
3	2018/3/1	Part number and coding rule updated



深圳市迎丰天线技术有限公司
 SHEN ZHEN YINGFENG ANTENNA TECHNOLOGYCO., LTD

Prepared by : **JIEXI**

Designed by : **Jason**

Checked by : **Jason**

Approved by : **MR.FANG**

TITLE : 2.0 x 1.2 x 0.6(mm) WiFi/Bluetooth Ceramic Chip Antenna (YF2012) Engineering Specification

DOCUMENT NO.

YF2012F2P2G4502

REV. B