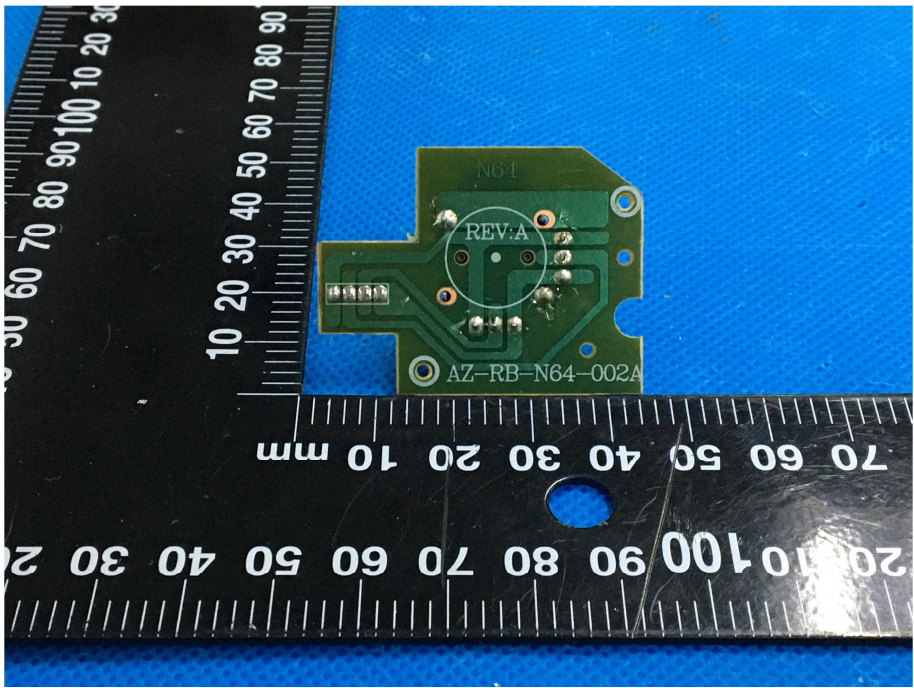
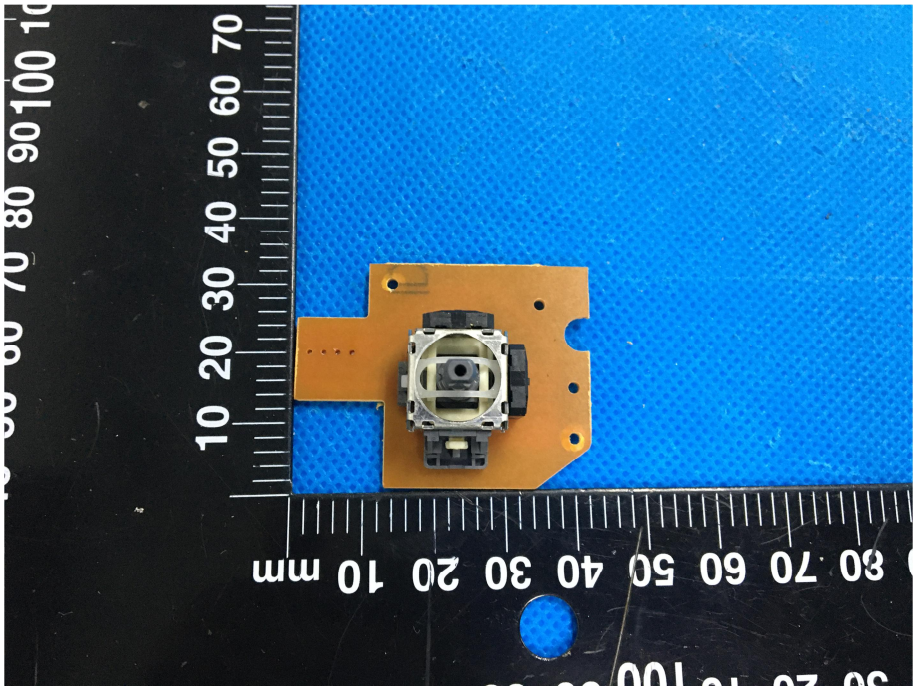


<p style="text-align: center;">Solder Board-Component View 8</p>	 A photograph of a green printed circuit board (PCB) component, labeled 'N64' and 'REV:A', with the part number 'AZ-RB-N64-002A' visible. The component is mounted on a blue textured surface. A black ruler with white markings is placed below the component for scale, showing measurements in millimeters. The component features several solder joints and a central circular feature.
<p style="text-align: center;">Solder Board-Component View 9</p>	 A photograph of an orange PCB component with a white and black mechanical assembly mounted on it. The component is placed on a blue textured surface. A black ruler with white markings is positioned below the component for scale, showing measurements in millimeters. The assembly appears to be a lens or sensor module.

Antenna View

