

东莞市利信威电子有限公司

天线规格承认书

Antenna Specification for Approval

客户名称

Customer Name: _____

产品名称: _

Product Name: _____ 2.4G铜管天线 全长93灰色

客户型号:

Product Name: _____

产品料号:

Part NO.: _____ C113F-BT450-93R

制表:

Write By: _____ 周敏

日期:

Issued Date: _____ 2019-4-15

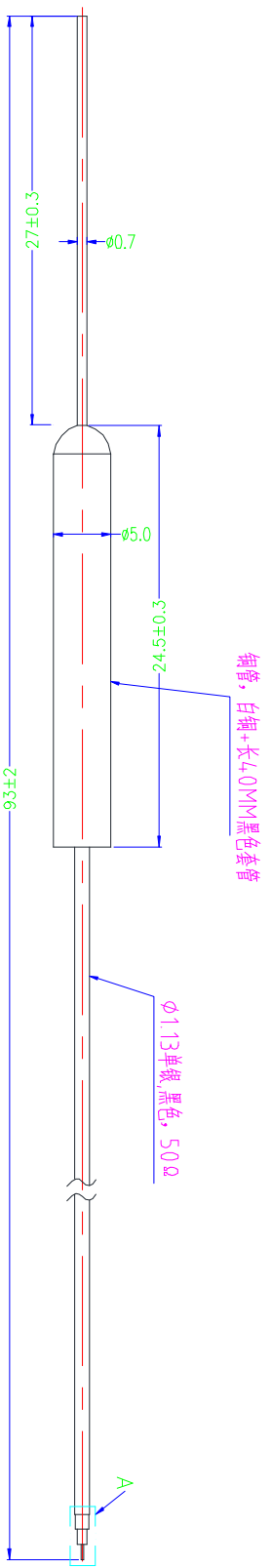
客 户:

工程R&D Dept	采购Business Dept	承认 Approved By

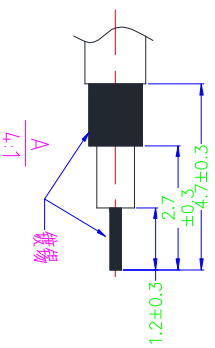
利 信 威

研发R&D Dept	工程 Engineer Dept	审核 Approval

标记	数量	更改内容	签字	日期



规格说明:
 1. 频率范围: 2.4GHz-2.5GHz;
 2. 功率增益: 2.0dBi。



TITLE: 2.4G铜管天线		MATERIAL: ??		FINISH: 表面处理	
PART/NO.: C113F-BT450-93R		TOLERANCE: ??		ANGULAR: ??	
UNIT: mm	SCALE: 2.5:1	LINEAR: L<30 ±0.10 30<L<100 ±0.15 L>100 ±0.20	UNLESS OTHERWISE SPECIFIED	ANGULAR: XX ±0.1° X.X ±0.2°	
DRAWING: 散	DATE: 18-12-25	CHECKING: ??	DATE: ??	REV: 01	版本: 第一次

东莞市利信威电子有限公司

Product Specification

A. Electrical Characteristics

Frequency 2400MHz ~2500MHz

VSWR <2.0

Efficiency >75%

Impedance 50 Ohm

Polarization Line

Gain 2DBi

B. Material & Mechanical Characteristics

Material of Radiator Cu

Cable Type 1.13 灰色

Connector Type : NO

Dimension

C. Environmental

Operation Temperature - 30 °C ~ + 80 °C

Storage Temperature - 30 °C ~ + 85 °C

Test Equipment & Conditions

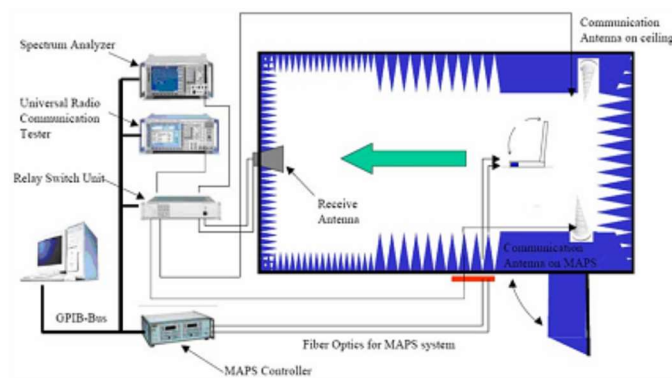
1. Network Analyzers :

Agilent 8753D 5071B

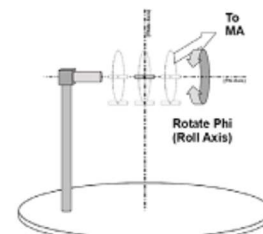
2. Communications Test Set:

Agilent E5515C

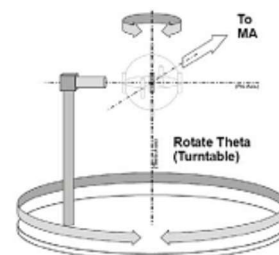
3. 3D Chamber Test System



(Testing by 3D anechoic chamber)



Phi axis test

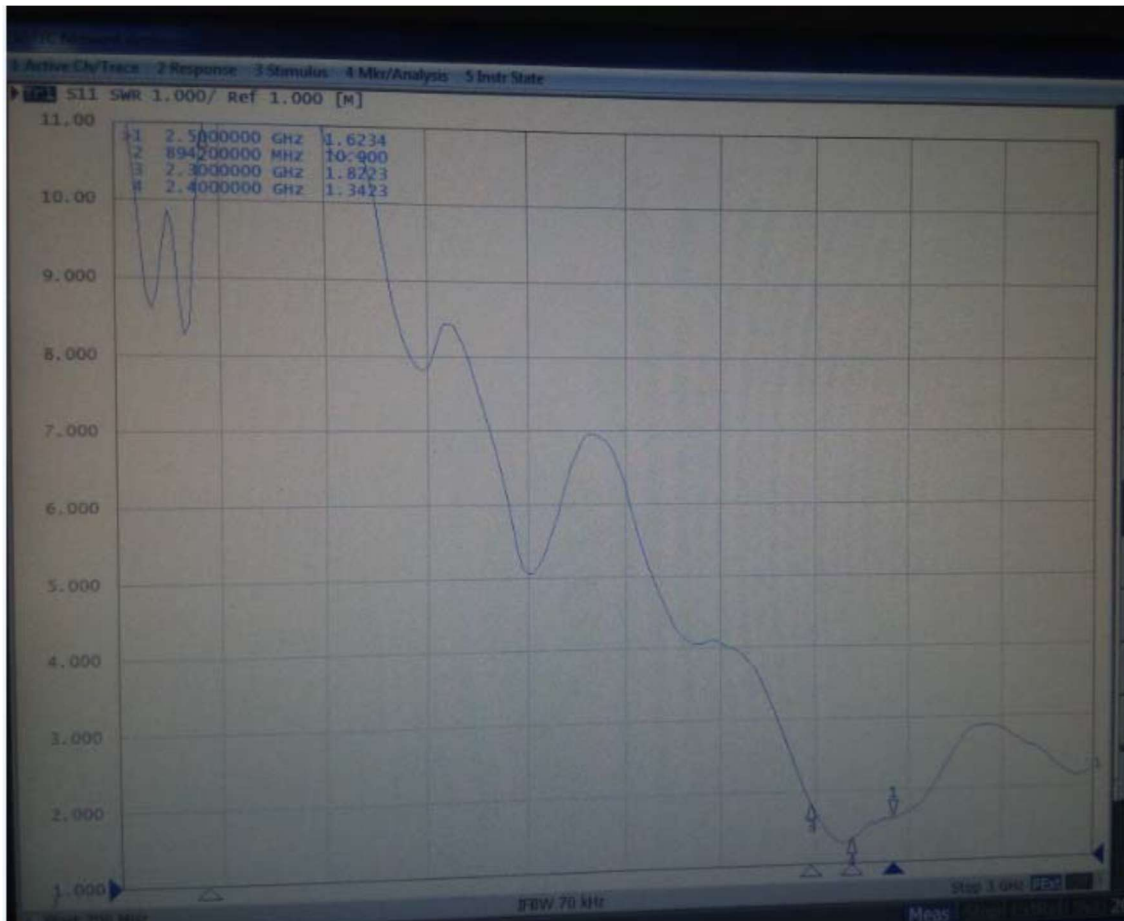


Theta axis test

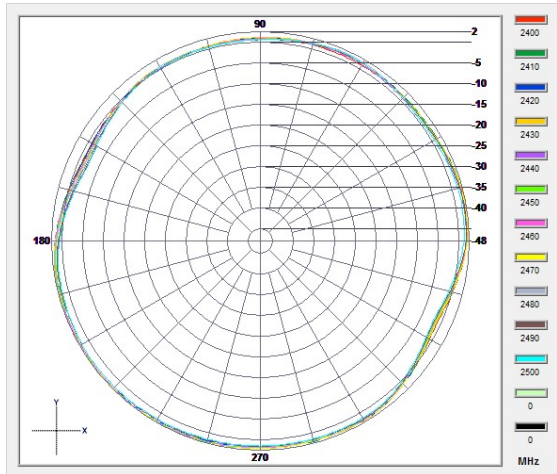
Efficiency & Gain

Freq (MHz)	Effi (%)	Gain (dBi)
2400	76.95	2.4
2410	74.84	2.86
2420	74.68	2.8
2430	72.55	2.97
2440	66.66	2.51
2450	72.06	2.73
2460	71.87	2.86
2470	72.95	2.80
2480	72.43	2.78
2490	68.41	2.72
2500	67.46	2.33

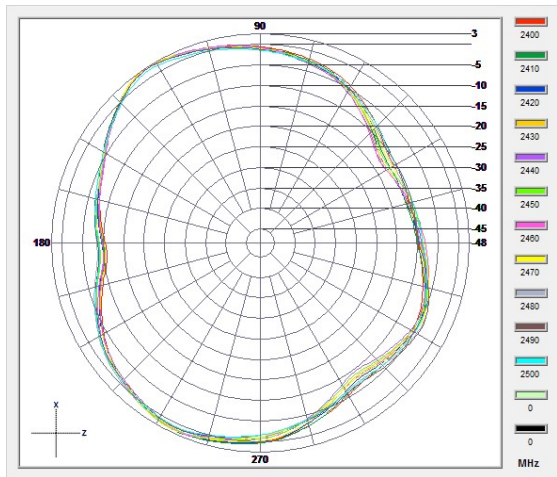
S11



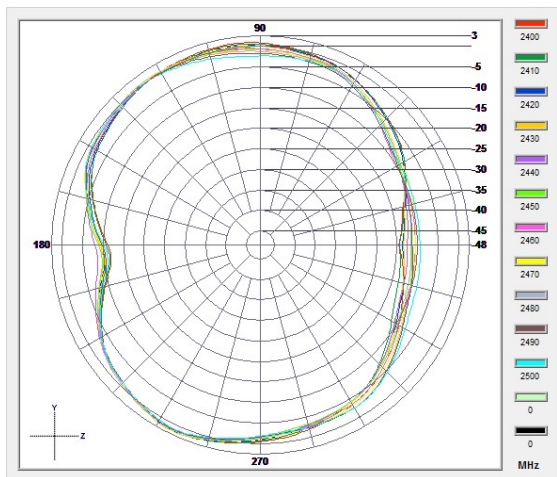
Radiation Pattern:



XY



XZ



YZ

2400 2410 2420 2430 2440 2450 2460 2470 2480 2490 2500

