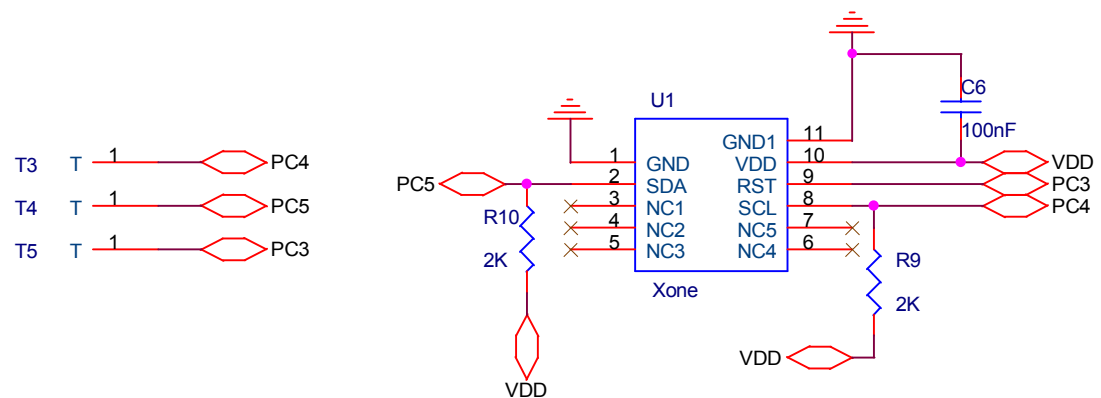
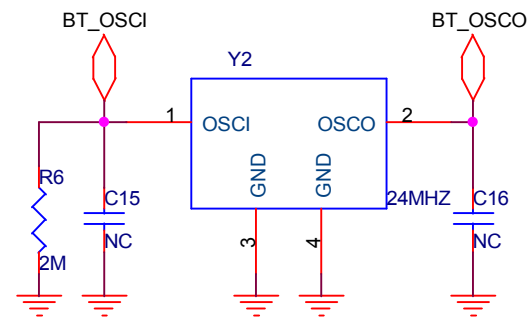


没用的口引出测试点



Title			<Title>
Size	Document Number	Rev	
A	<Doc>	<RevCode>	
Date:	Monday, November 26, 2018	Sheet	1 of 1