



WMX-7 System
VHF Wireless Microphone System

Introduction

Thanks for choosing the Movo WMX-7!

The Movo WMX-7 is a 12-Channel VHF Wireless Microphone System, capturing audio with smartphones, tablets, DSLRs, camcorders, audio recorders, PCs and more.

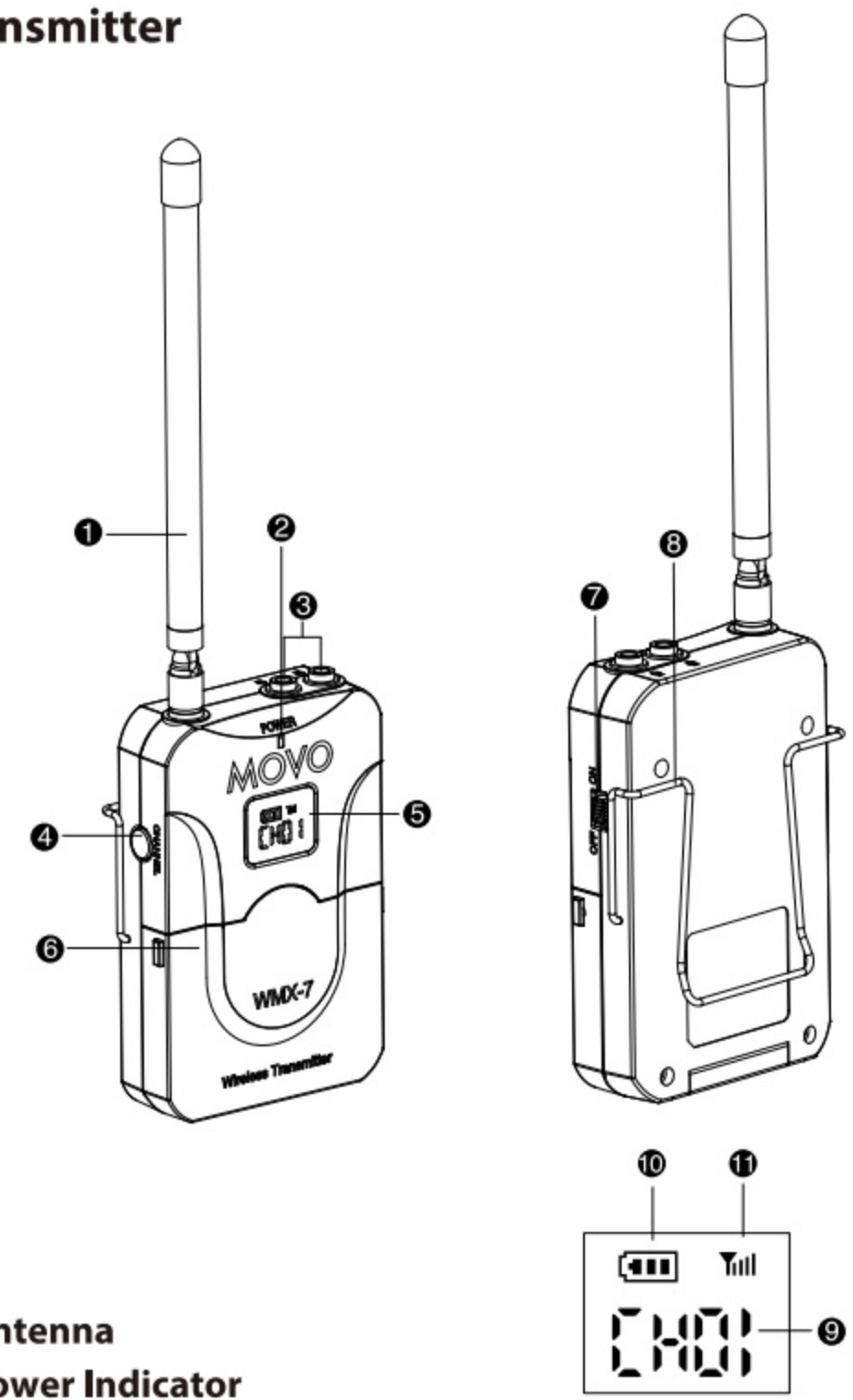
The transmitter has two mic sockets, allowing for the use of two microphones at the same time, and is ideal for interviews, filmmaking, business presentations, or other applications that require portability.

Both the receiver and transmitter are lightweight and easy to use, offering flexibility without sacrificing high-quality audio, while operating at a range of up to 50m (164 feet) away without obstacles.

Package contents

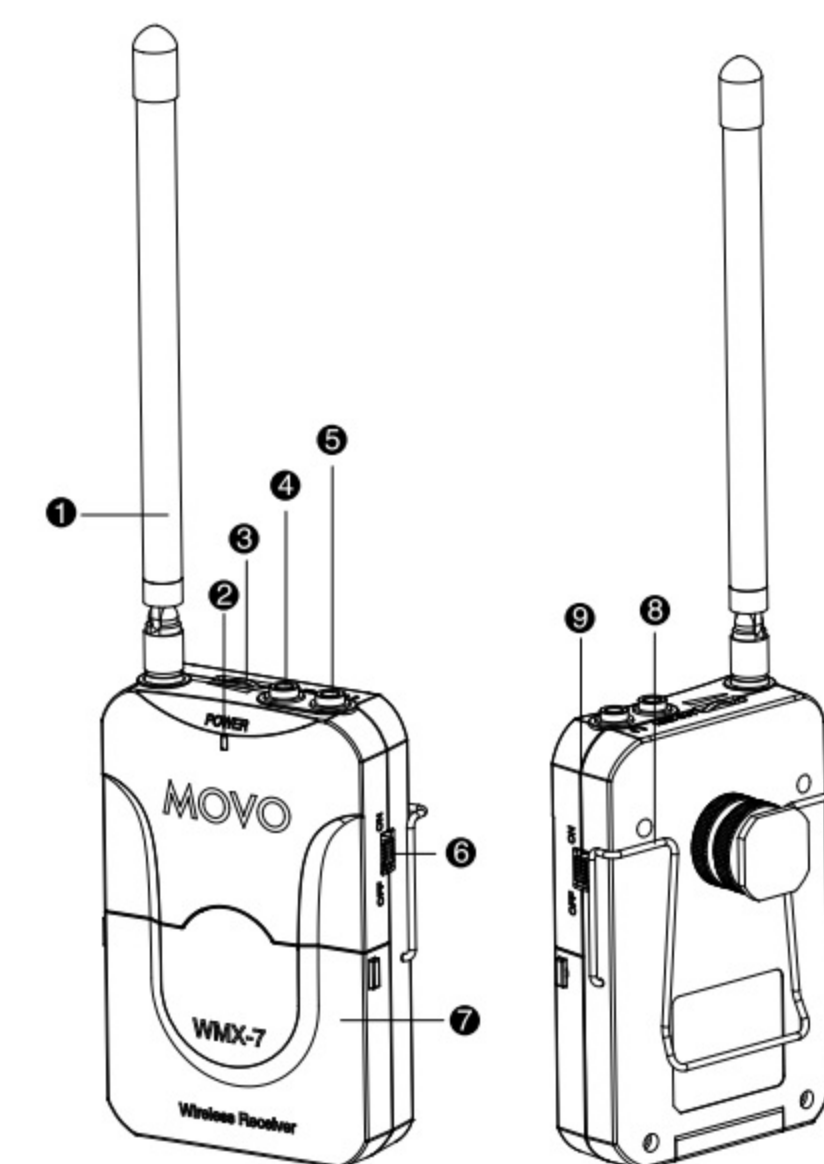
- One WMX-7 transmitter
- One WMX-7 receiver
- One 3.5mm to TRS audio output cable
- One 3.5mm to TRRS audio output cable
- One omnidirectional lavalier microphone
- One foam windscreens
- One microphone holder clip
- Two belt clips
- One cold shoe mount adapter
- Carrying case
- User manual

Transmitter



1. Antenna
2. Power Indicator
3. Microphone Input Jack
4. Channel Selector Bottom
5. LCD Screen
6. Battery Compartment
7. Power Switch
8. Belt Clip
9. Channel Indication
10. Battery indication
11. Signal indication

Receiver



1. Antenna
2. Power Indicator
3. Volume Control Wheel
4. Line Out Jack

5. Monitor Connector (3.5mm diameter stereo mini jack)

- To monitor the receiver output, connect the headphones to this connector.



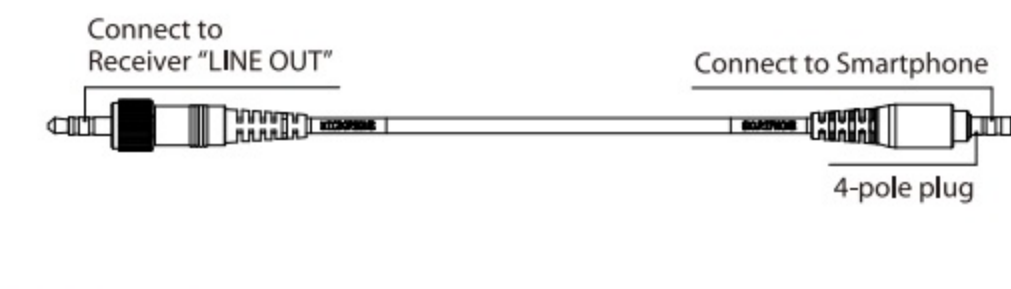
NOTE

Do not connect headphone with a monaural mini jack. This may lead to short-circuiting of the headphone output, resulting in distorted sound output.

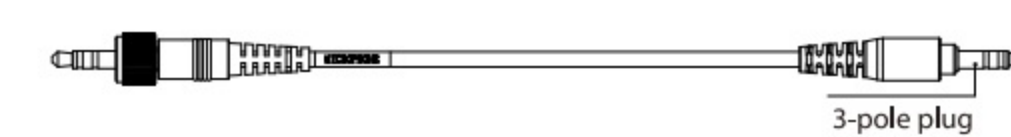
6. Power Switch
7. Battery Compartment
8. Cold Shoe Mount Adapter
9. Belt Clip

What's the difference?

- 1) 3.5mm TRRS connector
- For smartphones, tablets or Mac



- 2) 3.5mm TRS connector
- For cameras, camcorders, audio recorders and other audio/video recording devices.



LED Indicator and Battery Indication Status

Transmitter and receiver are connected	Transmitter Receiver	LED indicator stays blue
Transmitter and receiver are disconnected	Transmitter Receiver	LED indicator stays blue
Receiver	Receiver	LED indicator blinking blue
Transmitter	Low battery	LED indicator stays red
Transmitter	Low battery	Battery icon on screen is empty and blinking.

Setup Guide

1. Install antenna

Screw antenna in completely and rotate it accordingly



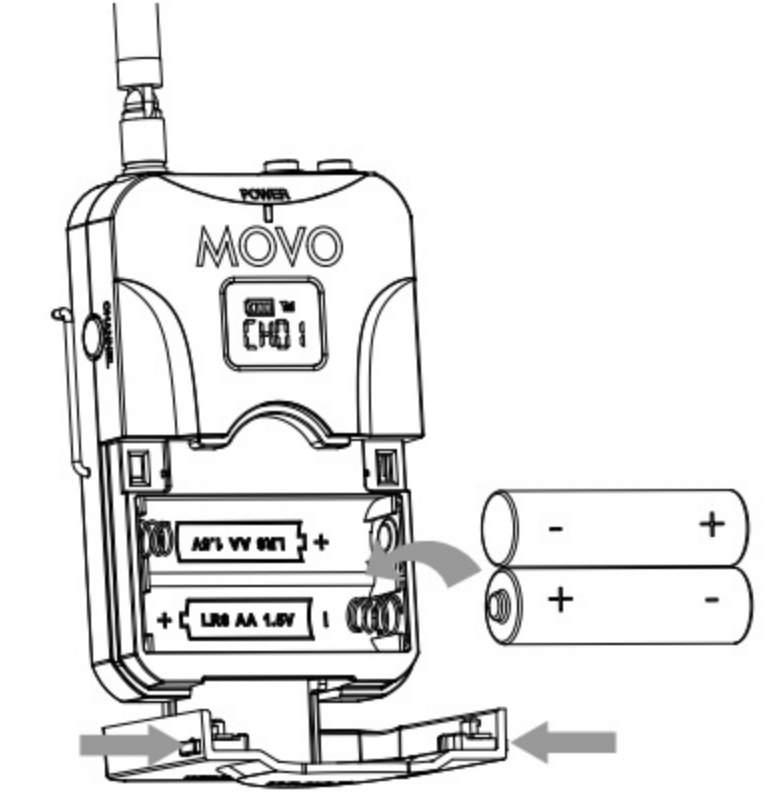
NOTE

- Try to keep two antennas parallel for best sound.
- Do not touch the antenna during recording.

2. Installing battery

The transmitter and the receiver are each powered by two AA batteries.

- Open the battery compartment cover.
- Insert two batteries in correct polarity as shown.
- Close the battery compartment cover.



NOTE

1. When battery is low, you will need to change the batteries immediately.
2. When not using the components for a long period of time, remove the batteries to avoid leakage.

3. Screw the shoe mount adapter to receiver
4. Connect the transmitter and receiver

Using the microphone with a smartphone, tablet or Mac

Transmitter

1. If you need to shoot two different subjects, please insert two microphones into transmitter "M".

2. Slide the power ON/OFF switch to ON position (the LED indicator will light up blue).
3. The belt clip on the back of the unit clips the transmitter onto a belt, or the transmitter simply can be put into a pocket.

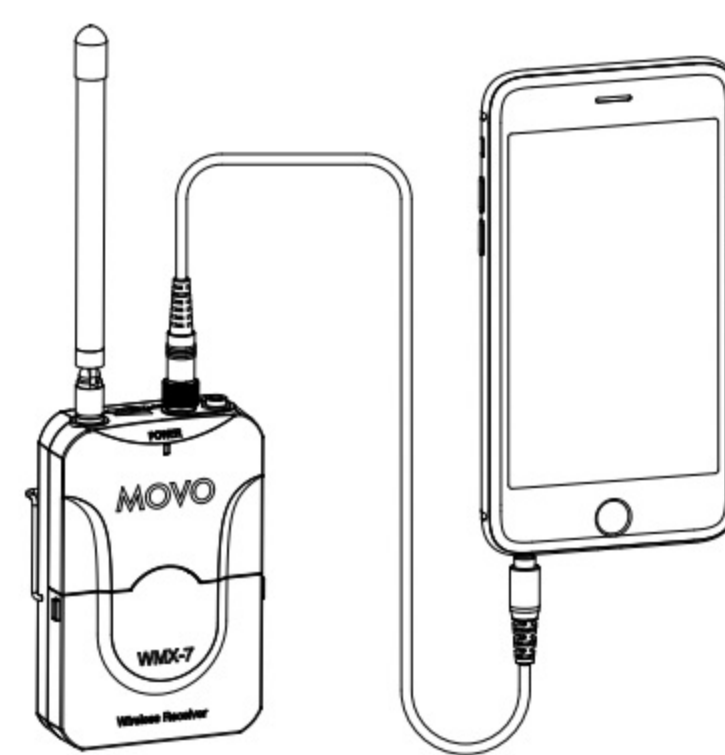
Receiver

1. Mount receiver to smartphone, tablet or Mac.
2. Using TRRS cable, insert the locked plug of the connecting cable into the receiver "LINE OUT" jack.
3. Plug the other connector into the audio jack of your smartphone.
4. Insert earphone into receiver "M" to monitor sound.
5. Slide the power ON/OFF switch to ON position (the LED indicator will light up blue)



NOTE

Do not mix up plugs, for details, please refer to "What's the difference" on page 4.



Transmitter and receiver pairing

The transmitter and receiver are connected at the factory.

However, if the selected channel is noisy, please follow these steps:

- 1) Press "CHANNEL" on the bottom of transmitter. The LED screen will show the CH number.
- 2) The receiver will connect with transmitter automatically.
- 3) Change channels until you get a clear sound.

How to connect transmitter and receiver

If you need to re-connect the transmitter and receiver, please follow these steps:

- 1) Turn the Power ON/OFF switch of transmitter to the ON position.
- 2) Hold down the "CHANNEL" button on the transmitter until the screen flashes.
- 3) Turn the Power ON/OFF switch of the receiver to the ON position.
- 4) Wait for about 3-5 seconds until the light of receiver is off
- 5) Press the "CHANNEL" button on the transmitter.

If the LED indicator of both the transmitter and receiver stay blue, the system is connected.

If it does not connect, retry steps 1-5.

Using the microphone with cameras, camcorders, audio recorders and other audio/video recording devices.

Transmitter

For instructions on how to setup the transmitter, please refer to the "Transmitter" section on page 6.

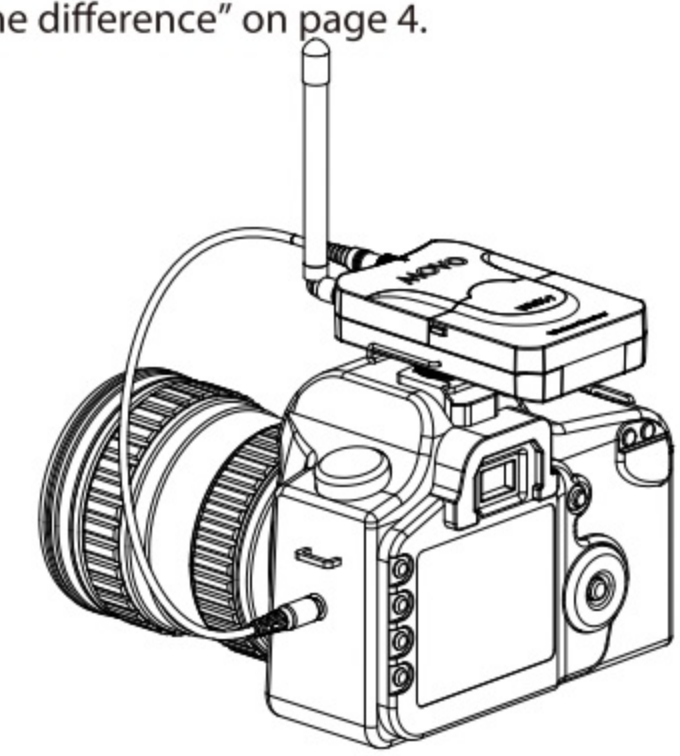
Receiver

1. Mount receiver to camera, camcorder, audio recorder or other audio/video recording device.
2. Using the TRS cable, insert the other end of the connecting cable into the receiver "LINE OUT" jack.
3. Plug the 3.5mm connector into the audio jack of your camera.
4. Insert earphone into receiver "M" for monitoring sound.
5. Slide the power ON/OFF switch to the ON position (the LED indicator will light up blue).



NOTE

Do not mix up the plugs. For details, please refer to "What's the difference" on page 4.

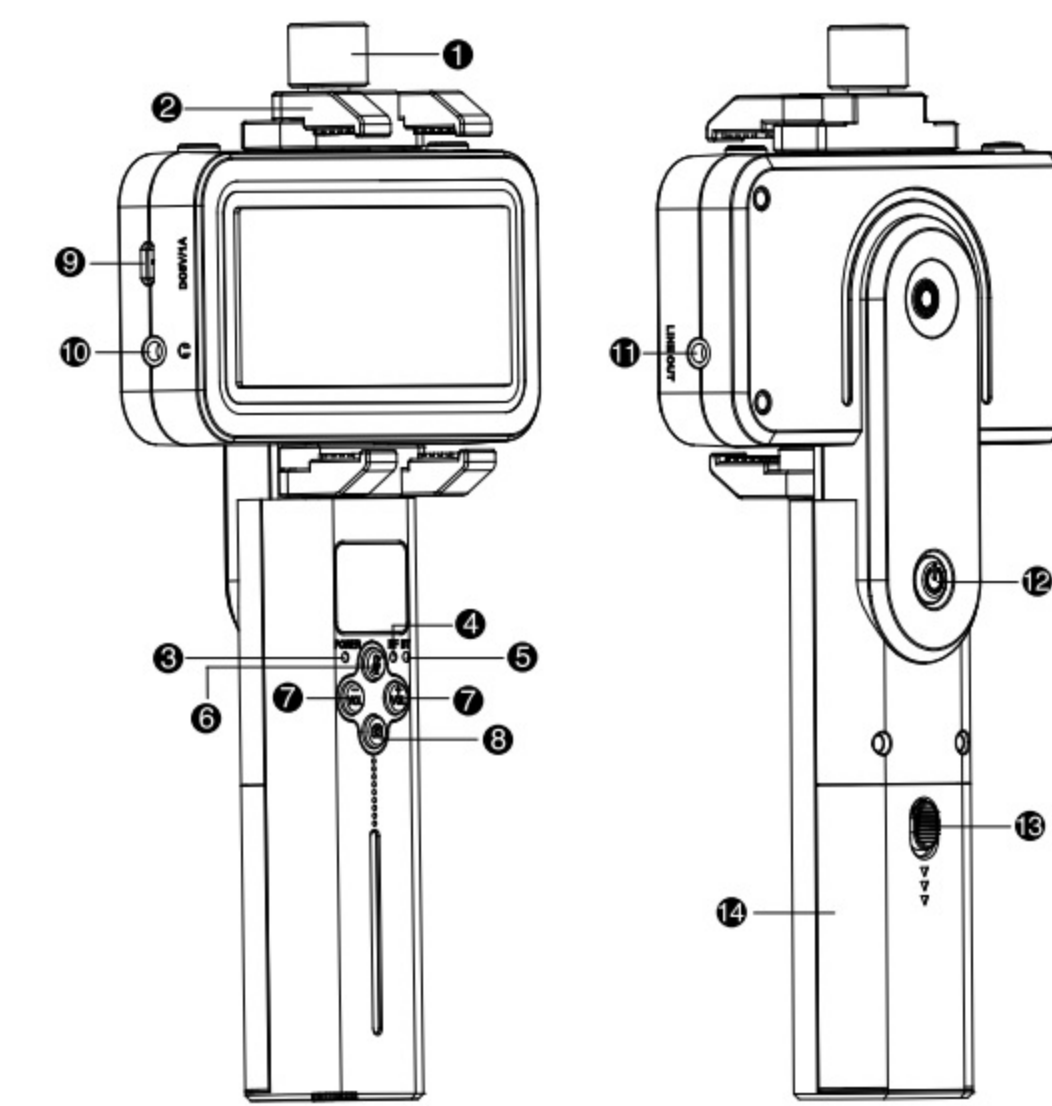


WMX-7 RX

Smartphone Handheld Receiver

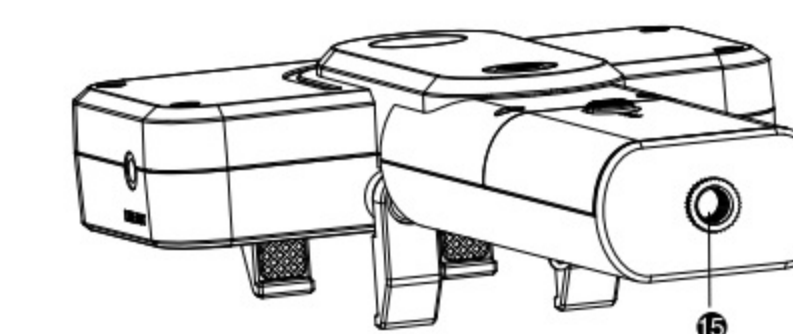


Receiver



1. Tightness Adjustment Knob
2. Smartphone Clamp
3. Power Indicator
4. RF Indicator
5. Bluetooth Indicator
6. "M" Button
Press the "M" button to mute audio.

7. +/- Volume Control
8. Shutter Button
9. Micro USB Port
10. 3.5mm Headphone Monitor Jack
11. LINE OUT Jack
12. Power Button
13. Battery Compartment Catch
14. Battery Compartment
15. 1/4" Female Thread



LED Indicator and Battery Indication Status

Transmitter and receiver are connected.	Transmitter Receiver	LED indicator stays blue
Transmitter and receiver are disconnected.	Transmitter Receiver	LED indicator stays blue
Receiver	Low battery	LED indicator stays red
Transmitter	Low battery	Battery icon on screen is empty and blinking.
Receiver	BT indicator	LED indicator slowly flashes when connected. LED indicator flashes blue in every second when disconnected.

Setup Guide

1. Install transmitter antenna

Screw in antenna completely and rotate it accordingly.



NOTE

- Do not touch the antenna while recording, as it will affect the transmission signal.

2. Install handheld receiver

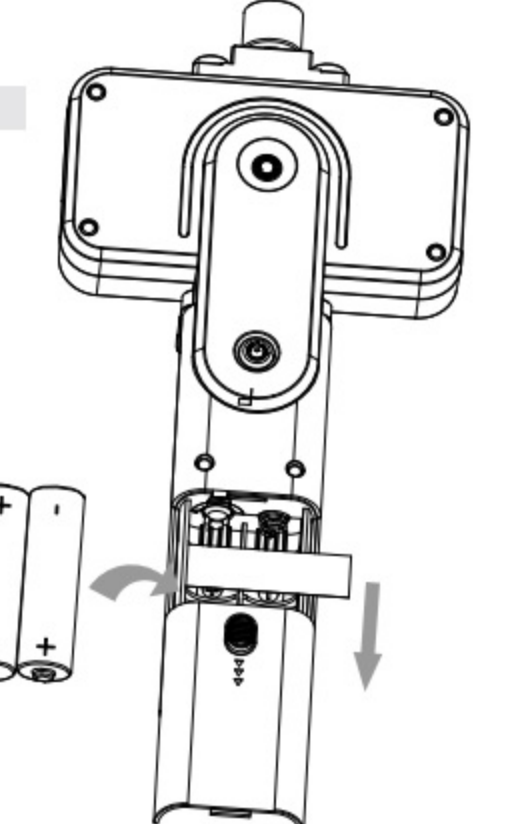
The receiver is powered by two AA batteries or DC 5V/1A.

1. Push the catch in the direction of the arrows and open the battery compartment.
2. Insert two AA batteries in correct polarity as shown.
3. Close the battery compartment cover.
4. Mount smartphone on the smartphone plate to start recording.



NOTE

- 1) If the battery is nearly empty, replace the two AA batteries immediately or charge it by DC 5V/1A output power.
- 2) When not using the components for a long period, please use the strap to remove the batteries to avoid leakage.



How to use

1. Press and hold the Power button to turn on the receiver until the LED indicator stays blue.
2. Using the TRRS cable, insert the supplied audio cable into the receiver's LINE OUT jack.
3. Insert the other terminal audio cable into your smartphone's headphone jack.
4. Plug the headphone into "M" jack to monitor the audio.

Transmitter and receiver pairing

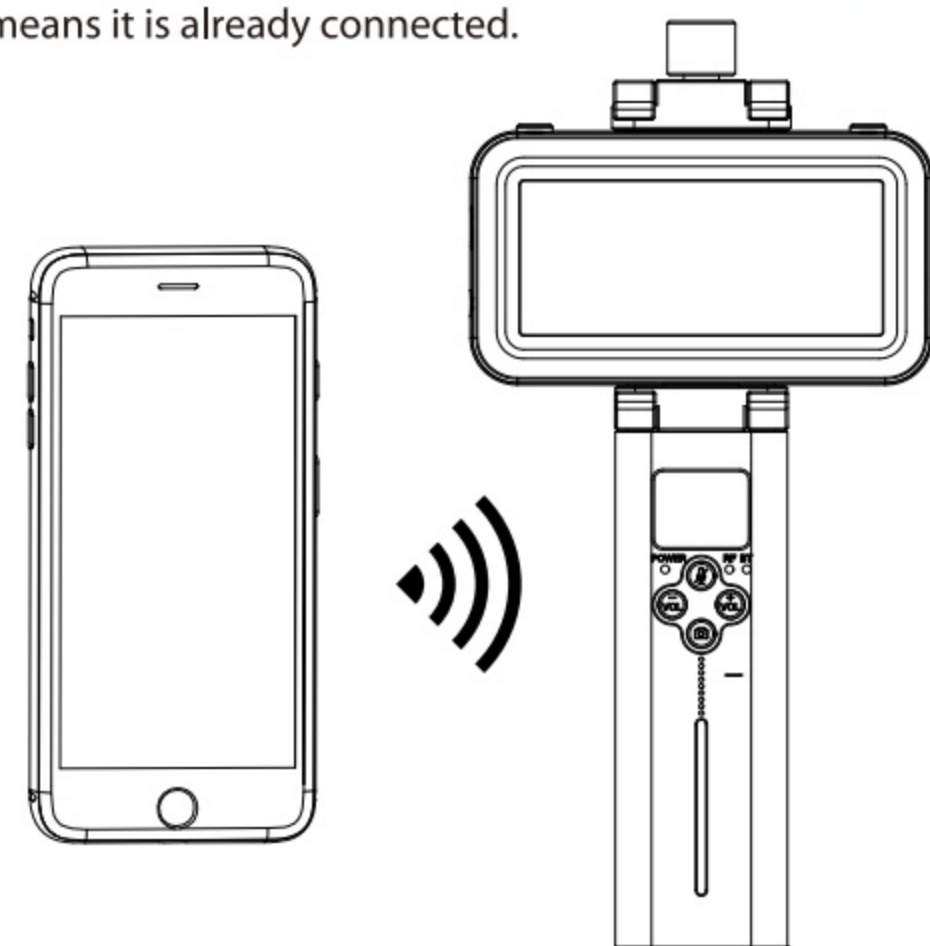
Before leaving factory, the connection of both transmitter and receiver is established. However, if the selected channel is noisy, please follow the below steps:

- 1) Press the "Channel" button transmitter, the LED screen will display CH number.
- 2) The receiver will connect with the transmitter automatically.
- 3) Change channels until you get a clear sound.

How to connect smartphone to receiver's Bluetooth signal

To make sure receiver operates normally until the bluetooth connects to the smartphone, please follow the below steps:

1. The transmitter automatically broadcasts a Bluetooth signal, appearing as STRIM-BTN10. (If the Bluetooth is unconnected, the BT indicator will flash blue.)
2. Open your smartphone's Bluetooth settings, locate STRIM-BTN10, and connect to it.
3. Wait for a few seconds while devices pair until the light of the receiver blinks
4. Open the camera on your smartphone and press the shutter button of the receiver to check whether the smartphone has connected to the receiver or not.
5. If the BT indicator of receiver blinks blue every 5-6 seconds, it means it is already connected.



Features:

- Ideal for vlogging, podcasts, mobile journalism, video and more
- High-band VHF operation for superior sound
- 12 Selectable Channels
- Compact and easy-to-use
- 360° Rotatable and Detachable Antenna
- Two MIC in jacks for transmitter
- Operating range up to 30m (98ft) away without obstacles
- Handheld Receiver for Smartphone with 3.5mm input jack
- Real-time monitoring
- Muting function

Operating Frequencies

CH-1	CH-2	CH-3	CH-4	CH-5	CH-6
204.0MHz	205.0MHz	206.0MHz	207.0MHz	208.0MHz	209.0MHz
CH-7	CH-8	CH-9	CH-10	CH-11	CH-12
210.0MHz	211.0MHz	212.0MHz	213.0MHz	214.0MHz	215.0MHz

Specifications

System

Operating Frequencies:	204-215MHz
Modulation Frequency:	DQPSK
Channels:	12

TX (Transmitter)

Modulation Sensitivity:	6 mV input for full deviation
Battery:	LR6/AA size alkaline battery (not included)
Current Consumption:	160 mA
Antenna Length:	142mm (5.6")
Dimensions:	TX12: 102 x 62 x 44.7 mm (4.0" x 2.4" x 1.8")
Weight:	TX12: 80g (2.8 oz) without battery

RX (Receiver)

Reception Sensitivity:	2 μV for 30 dB S/N
Output Connector:	3.5mm (1/8") TRS
Battery:	LR6/AA size alkaline battery (not included)
Current Consumption:	140 mA
Dimensions:	102 x 62 x 44.7 mm (4.0" x 2.4" x 1.8")
Antenna Length:	142mm (5.6")
Weight:	80 g (2.8 oz) without battery

WMX-7 RX (Receiver)

Transmission type:	VHF Digital Frequency
Modulation:	DQPSK
Operating Range:	Up to 30m (98ft)
Audio output connector:	3.5mm jack
Audio output level:	-60 dBV
Power Requirements:	Two AA batteries or Micro USB (5V/1A)
Built-In Battery Life:	Approx. 10 hours
Antenna:	PIFA antenna
Weight:	Approx. 192g (6.77oz) without batteries
Dimensions:	205*102*27mm (8.0" x 4.0" x 1.0")
Operating temperature:	0°C to 50°C
Storage temperature:	-20°C to +55°C

FCC STATEMENT:

This device complies with part 15 of the FCC Rules. Operation is subject to the following two conditions:
(1) This device may not cause harmful interference.
(2) This device must accept any interference received, including interference that may cause undesired operation.

Warning: Changes or modifications to this unit not expressly approved by the party responsible for compliance could void the user's authority to operate the equipment.

NOTE: This equipment has been tested and found to comply with the limits for a Class B digital device, pursuant to Part 15 of the FCC Rules.

These limits are designed to provide reasonable protection against harmful interference in a residential installation. This equipment generates, uses and can radiate radio frequency energy and, if not installed and used in accordance with the instructions, may cause harmful interference to radio communications.

However, there is no guarantee that interference will not occur in a particular installation. If this equipment does cause harmful interference to radio or television reception, which can be determined by turning the equipment off and on, the user is encouraged to try to correct the interference by one or more of the following measures:

- Reorient or relocate the receiving antenna.
- Increase the separation between the equipment and receiver.
- Connect the equipment into an outlet on a circuit different from that to which the receiver is connected.
- Consult the dealer or an experienced radio/TV technician for help.

RF warning statement:

The device has been evaluated to meet general RF exposure requirement. The device can be used in portable exposure condition without restriction.

HAPPY? LET US KNOW!

We love to hear from customers!
Share your experience with others by reviewing your product on Amazon. Scan the QR code below or visit: [amazon.com/review?ref=your_purchase&](https://www.amazon.com/review?ref=your_purchase&)



Act Now!

This product includes a 1 year limited warranty. If you register the product within 30 days of purchase, you'll receive an additional 1 year warranty extension for a total of two years of protection.



NOT HAPPY? LET US HELP!

Have any questions or concerns?
Our friendly and experienced customer service wants to make sure you have the best experience possible!

Call us at 1-855-954-1799 (US)

Monday-Friday 9 am - 4 pm (PST)

Email us at support@movophoto.com

Live chat us at www.movophoto.com

To register your product and for full details on this warranty, visit www.movophoto.com/warranty or scan QR code.



Facebook & YouTube: [movophotogroup](https://www.movophotogroup)

Twitter & Instagram: [movophoto](https://www.movophoto)

Facebook & YouTube: [movophotogroup](https://www.movophotogroup)

Twitter & Instagram: [movophoto](https://www.movophoto)