

WMX-7-TH

Wireless Handheld Microphone Manual



MOVO
Creators Wanted

Introduction

Thanks for choosing the Movo WMX-7-TH!

The Movo WMX-7-TH is a 12-Channel VHF Wireless Handheld Microphone and Transmitter, suitable for use alongside receivers from the Movo WMX-7 Wireless Microphone System.

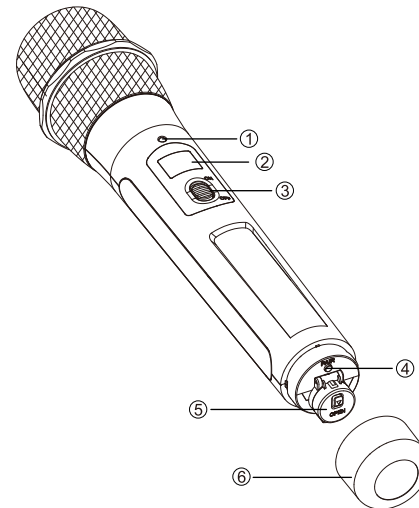
The transmitter can be easily paired with a single receiver alongside other mics, including the lavaliers that come with the WMX-7, and is ideal for interviews, filmmaking, business presentations, or other applications that require portability.

The microphone is lightweight and easy to use, offering flexibility without sacrificing high-quality audio. It operates at a range of 98 feet (30m) without obstacles.

Package Contents

- One WMX-7-TH microphone
- Carrying case
- User manual

Product Structure



1. Power LED

2. LCD Screen

For more details, please refer to "LCD Display Operation Guide" on page 3.

3. Power OFF/ON Switch

The transmitter and the receiver connects.	Transmitter	LED indicator stays blue
	Receiver	LED indicator stays blue
The transmitter and the receiver disconnects.	Transmitter	LED indicator stays blue
	Receiver	LED indicator is off
Receiver	Low battery	LED indicator stays red
Transmitter	Low battery	Battery icon on screen is empty and blinking.

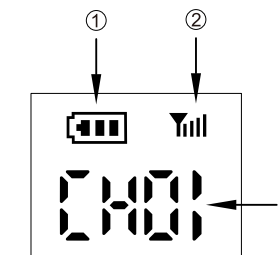
4. Pair Button

- Press the "PAIR" button to change the channel number.
- Press and hold "PAIR" button to reconnect receiver and transmitter.

5. Battery compartment

6. Battery cover

LCD Display Operation Guide

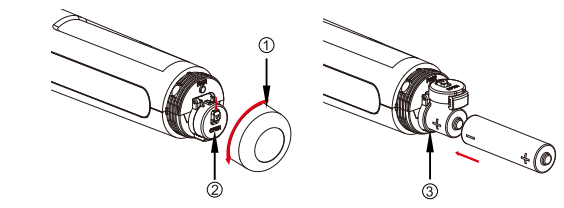


- ① Battery Indicator
- ② Signal Indicator
- ③ Channel Indicator

Installing Batteries

The transmitter is powered by two AA batteries. To install batteries, please follow these steps:

1. Twist the battery cover counterclockwise to unscrew.
2. Push the "OPEN" button down.
3. Insert the batteries in the correct polarity as shown.
4. Close the battery cover and retighten it by screwing clockwise until it is sealed tight.



NOTE:

1. Make sure the unit is turned OFF before removal; opening the battery compartment during signal transmission may cause a high-pitched noise.
2. Remove the batteries from the microphone when the microphone is not in use, as current is drawn whenever a battery is installed.

Changing Channels

- 1) Press the "PAIR" button to change the channel number.
- 2) The LED Indicator of receiver will blink one time, when the receiver and the transmitter connect automatically, the light of receiver will stay blue.

Connecting the Wireless Handheld Microphone and the Receiver

To connect the wireless handheld microphone and the receiver, follow these steps:

- 1) Turn the Power ON/OFF switch of the handheld transmitter to the ON position.
- 2) Press and hold the "PAIR" button of the transmitter until the screen is flashing.
- 3) Turn the Power ON/OFF switch of the receiver to the ON position.
- 4) Wait for about 3 seconds until the receiver indicator turns off
- 5) Press the "PAIR" button on the transmitter

If the LED indicator of both the transmitter and receiver stay blue, the system is connected. If either indicator does not stay blue, try steps 1-5 again.

Features:

- Compatible with WMX-7-RX Receiver (sold separately)
- High-band VHF operation for superior sound
- 12 selectable, interference-free channels
- Automatically matched for use with receiver
- Operation range up to 98ft (30m) away without obstacles
- Compact and easy-to-use
- Powered by two AA alkaline batteries

Operating Frequencies

CH-1	CH-2	CH-3	CH-4	CH-5	CH-6
204.0MHz	205.0MHz	206.0MHz	207.0MHz	208.0MHz	209.0MHz
CH-7	CH-8	CH-9	CH-10	CH-11	CH-12
210.0MHz	211.0MHz	212.0MHz	213.0MHz	214.0MHz	215.0MHz

Specifications

WMX-7-TH

Operation range:	98ft (30m) without obstacles
Channels:	12
Sensitivity:	-51dB±3dB(0dB=1V/Pa 1KHz)
Frequency Response:	100Hz-13KHz
Current Consumption:	160mA
Power supply:	Two LR6/AA batteries
Dimensions:	5.3x5.3x25.6cm
Weight:	252g (without batteries)

FCC STATEMENT:

This device complies with part 15 of the FCC Rules. Operation is subject to the following two conditions:
(1) This device may not cause harmful interference.
(2) This device must accept any interference received, including interference that may cause undesired operation.

Warning: Changes or modifications to this unit not expressly approved by the party responsible for compliance could void the user's authority to operate the equipment.

NOTE: This equipment has been tested and found to comply with the limits for a Class B digital device, pursuant to Part 15 of the FCC Rules.

These limits are designed to provide reasonable protection against harmful interference in a residential installation. This equipment generates, uses and can radiate radio frequency energy and, if not installed and used in accordance with the instructions, may cause harmful interference to radio communications.

However, there is no guarantee that interference will not occur in a particular installation. If this equipment does cause harmful interference to radio or television reception, which can be determined by turning the equipment off and on, the user is encouraged to try to correct the interference by one or more of the following measures:

- Reorient or relocate the receiving antenna.
- Increase the separation between the equipment and receiver.
- Connect the equipment into an outlet on a circuit different from that to which the receiver is connected.
- Consult the dealer or an experienced radio/TV technician for help.

RF warning statement:

The device has been evaluated to meet general RF exposure requirement. The device can be used in portable exposure condition without restriction.

HAPPY! LET US KNOW!

We love to hear from customers!
Share your experience with others by reviewing your product on Amazon. Scan the QR code below or visit:
www.amazon.com/revIEWS/revIEWSyourpurchase/



NOT HAPPY! LET US HELP!

Have any questions or concerns?
Our friendly and responsive customer service wants to make sure you have the best experience possible!

Call us at 1-800-354-1739 (US)

Monday-Friday: 9 am - 4 pm (PST)

Email us at support@movophoto.com

Live chat us at www.movophoto.com

Act Now!

This product includes a 1-year limited warranty. If you register the product within 30 days of purchase, you'll receive an additional 1-year warranty extension for a total of two years of protection.

To register your product and for full details on the warranty, visit www.movophoto.com/warranty or scan QR code:



Facebook & Youtube: /movophotogroup
Twitter & Instagram: @movophoto

Movo Photo Group
www.movophoto.com
support@movophoto.com