


Saramonic

Sound.Remarkable. 

Microphone

Vlink2 HU

User Manual
用户手册



Statement

Please read this manual carefully before use and operate and store in strict accordance with the instructions provided. Please retain for future reference.

For any issues that cannot be resolved with the user manual, please refer to your retailer for help or contact us at: info@saramonic.com.

Cautions

1. Take care not to use the unit underwater or unprotected in rainy conditions. Store in a cool, dry place.
2. Designed for use and storage at normal temperatures. Do not move the unit from overheated to cold conditions frequently, and keep away from heat sources such as heaters and ovens.
3. When in use, or when storing, avoid contact with dust and moisture.
4. Do not subject to device to violent collisions, as this can damage the device.
5. In order to avoid acoustic feedback, do not hold the microphone close to loudspeakers.
6. For optimal sound detection, do not hold your hand against the microphone head.

General Introduction

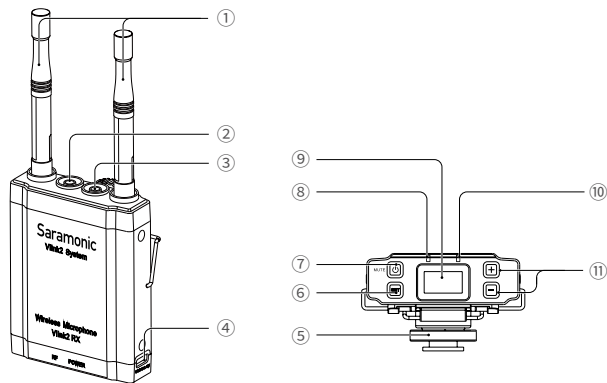
The Saramonic Vlink2 wireless microphone system provides a premium 2-person wireless audio solution for vloggers, mobile journalists and content creators. It is an easy-to-use, high-quality and flexible 2.4 GHz system. The external microphone input allows the receiver to be connected to a mic device. The system can be powered through its USB-C ports, allowing it to run for numerous hours on a USB-C 5V power bank.

Portable Receiver Vlink2 RX

Introduction

The Saramonic Vlink2 RX is a camera-mountable dual-channel 2.4GHz wireless receiver. It features a high-contrast OLED display and talkback function to transmitter. The two detachable antennas can be rotated 360° for better reception. The receiver's output can be toggled between mono and stereo modes. The talkback and monitor function on the receiver allows camera operators to select individually if desired, and communication can be controlled by a mute button.

Product Structure



① Antennas

② LINE OUT Jack

Connect the Vlink2 RX to a DSLR camera, smartphone with a 3.5mm headphone jack, mixer or amplifier with the supplied output cable.

③ 3.5mm Talkback and Headphone Jack

Using the talkback function with the supplied headphone, the receiver can monitor the real-time feedback and deliver talkback communication with transmitter.

④ USB-C Charging Port (DC 5V)

⑤ Cold Shoe Mount Adapter

⑥ SET Button

Long press the SET button to enter the displayed menu. Then, short press the SET button to confirm your setting change, or long press again to exit without saving.

⑦ Power / Mute Button

Status	Operation
Power ON	Long press for at least three seconds
Power OFF	Long press until it turns off
Mute ON	Short press
Mute OFF	

⑧ RF Indicator

Status	Indicators
Disconnected	Lights off
Pairing	Quickly flashing blue light
Paired Successfully	Solid blue light
Mute ON (Paired Successfully)	Slowly flashing blue light

⑨ OLED Display

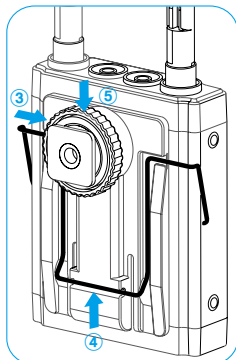
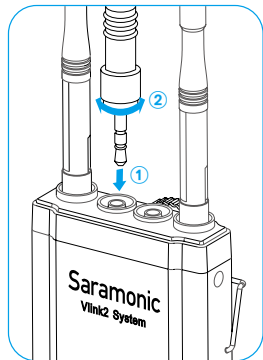
⑩ POWER Indicator

Status	Indicators
Power On / Fully charged	Solid blue light
Low battery / Charging	Solid red light
Low battery warning	Flashing red light (the unit shutdowns within 10 mins)

⑪ +/- button (Pair button)

Press the buttons "+" and "-" for 3 seconds at the same time, entering pairing mode.

Attaching Accessories



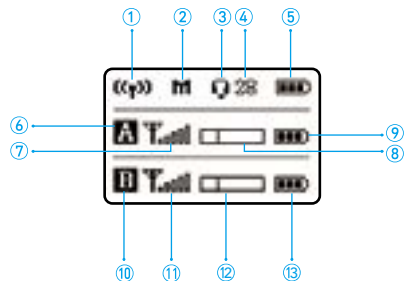
Connect the supplied cable to the output jack.

- ① Plug the supplied cable into the LINE OUT jack.
- ② For a secure connection, turn to lock the connector.

Attach the shoe mount adapter

- ③ Please attach the belt clip as shown before attaching the shoe mount adapter.
- ④ Press the bottom of the belt clip to make some space between the belt clip and the receiver.
- ⑤ Align the belt clip with the two vertical grooves on the shoe mount adapter and insert the adapter in the direction of the arrow.
- ⑥ Push the shoe mount adapter in fully until the belt clip fits into the horizontal groove on the adapter holds.

OLED Display Operation Guide



Home screen: If no operation is performed for 20 seconds on the other screens, the display will automatically return to the home screen.

① Pairing Indicator

Paired Successfully Disconnected

② Output Mode Indicator

M: Mono S: Stereo

③ Mic & Audio Monitoring Icon

Mute Off Mute On

④ Headphone Volume

⑤ RX's Battery Level Indicator

Displays the RX battery level. Please recharge the device immediately when the indicator starts flashing.

⑥ Channel A Icon

⑦ RF Level Indicator (Channel A)

Indicates the current reception level.

⑧ Audio Input Level Meter (Channel A)

Displays the audio input level.

⑨ TX's Battery Level Indicator (Channel A)

Displays the TX battery level. Please recharge the device immediately when the indicator starts flashing.

⑩ Channel B Icon

⑪ RF Level Indicator (Channel B)

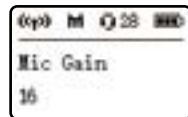
Indicates the current reception level.

⑫ Audio Input Level Meter (Channel B)

Displays the audio input level.

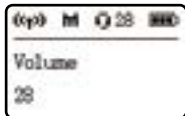
⑬ TX's Battery Level Indicator (Channel B)

Displays the TX battery level. Please recharge the device immediately when the indicator starts flashing.



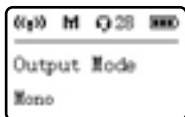
Mic Gain

Adjust the external microphone's gain level (0-19). Default is "16".



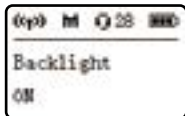
Set Output Volume

Set the volume of output audio within the range of 0 to 31. The setting is retained even after the power is turned off. Default volume is 28.



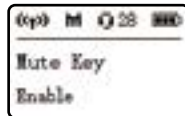
Output Mode

The output mode can be set to mono or stereo. When the output mode is in mono, the audio from the left and right channel will be mixed. When in stereo, receiver A's and receiver B's audio output will be separated to the left and right of the stereo output. System default is mono.



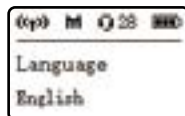
Set Backlight

Set backlight to Always On or On for 10, 30, or 60 seconds. Default is "On".



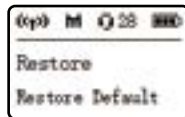
Set Mute Key

Enable or Disable Mute key button function. Default is "Enable".



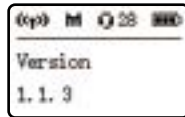
Language

English or 简体中文 (Chinese) are available. Default is English.



Restore Default Setting

Yes: restores default settings, No: exits restore default settings.



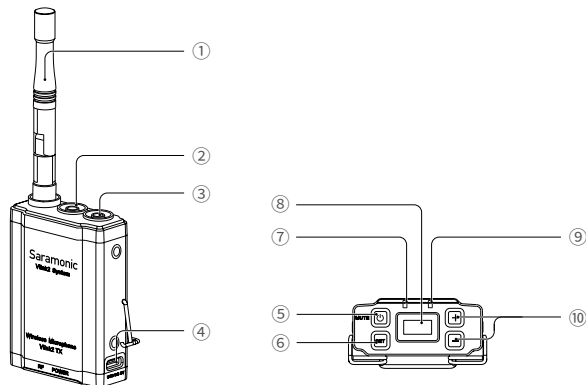
Version of the Vlink2 RX's firmware

Body-pack Transmitter Vlink2 TX

Introduction

The Saramonic Vlink2 TX is a compact body-pack transmitter. It features an easy-to-read OLED display, a detachable antenna and built-in rechargeable battery. With the 3.5mm headphone and mic input jacks, it can accept audio from the included 3.5mm locking mic, and supports efficient two-way communication with the receiver. A short press of the power button mutes the mic between takes.

Product Structure



① Antennas

② c'v

Connect headphones for monitoring communication from the receiver.

③ MIC IN/LINE IN Jack

The transmitter can be connected to a 3.5mm microphone or other line-level devices.

④ USB-C Charging Port (DC 5V)

⑤ Power / Mute Button

Status	Operation
Power ON	Long press for at least three seconds
Power OFF	Long press until it turns off
Mute ON	Short press
Mute OFF	

⑥ SET Button

⑦ RF Indicator

Status	Indicators
Disconnected	Lights off
Pairing	Quickly flashing blue light
Paired Successfully	Solid blue light
Mute ON (Paired Successfully)	Slowly flashing blue light

⑧ OLED display

Display menus, please refer to "OLED Display Operation Guide" for more details.

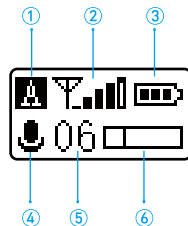
⑨ POWER indicator

Status	Indicators
Power On / Fully charged	Solid blue light
Low battery / Charging	Solid red light
Low battery warning	Flashing red light (the unit shutdowns within 10 mins)

⑩ +/- button (Pair button)

Press the buttons "+" and "-" for 3 seconds at the same time, entering pairing mode.

OLED Display Operation Guide



Home screen: If no operation is performed for 20 seconds on the other screens, the display will automatically return to the home screen.

① Pairing Indicator

Paired Successfully

Disconnected

② RF Level Indicator

③ Battery Level Indicator

Displays the TX battery level. Please recharge the device immediately when the indicator starts flashing.

④ Mute Indicator

Mute Off Mute On

⑤ Mic Gain

⑥ Audio Input Level Meter

Displays the audio input level.

Mic Gain 06

MIC GAIN

Adjust the external microphone's gain level (0-9). Default is "06".

Volume 28

Set Output Volume

Set the volume of output audio within the range of 0 to 31. The setting is retained even after the power is turned off.

Default volume is 28.

Input Mic In

Input Setting

The input mode can be set to Mic In or Line In.

Mic In: for connecting a 3.5mm microphone to the transmitter.

Line In: for connecting a line level device to the transmitter.

B-Light ON

Set Backlight

Set backlight to Always On or On for 10, 30, or 60 seconds. Default is "On".

Mute Key Enable

Set Mute Key

Enable or Disable Mute key button function. Default is "Enable".

Language English

Language Setting.

English or 简体中文 (Chinese) are available. Default is "English".

Restore Default

Restore Default Setting.

Yes: restores default settings, No: exits restore default settings.

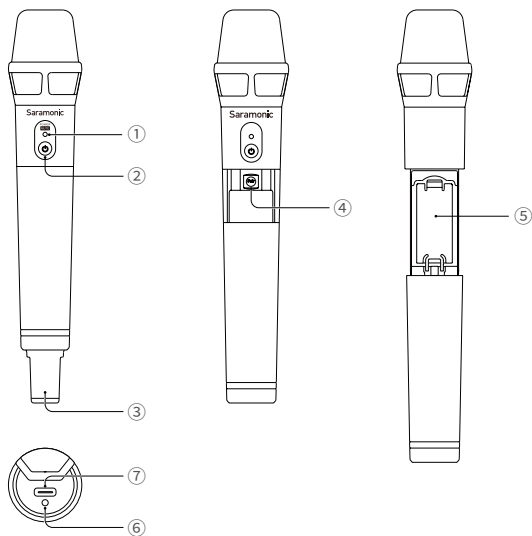
Version 1.1.3

Version of the Vlink2 TX's firmware.

Handheld Transmitter Vlink2 HU

The Vlink2 HU is a 2.4GHz wireless handheld microphone transmitter that features a lightweight and durable aluminum alloy body, built-in antenna and easy operation. It can be powered by a rechargeable Li-ion battery or two AA batteries. The Vlink2 HU works with the Vlink2 RX on various audio capturing occasions.

Product Structure



① Power Indicator

Status	Indicators
Disconnected	Slowly flashing blue light
Pairing	Quickly flashing blue light
Paired Successfully	Solid blue light
Mute ON (Paired Successfully)	Flashing red light
Low Battery	Solid red light

② Power/Mute Button

Status	Operation
Power ON	Long press for at least three seconds
Power OFF	Long press until it turns off
Mute ON	Short press
Mute OFF	

③ Antenna

For optimal sound detection, please do not hold the antenna.

④ Pair Button

⑤ Battery Compartment

Accepts two AA batteries or an customized rechargeable Li-ion battery.

⑥ Charging Indicator

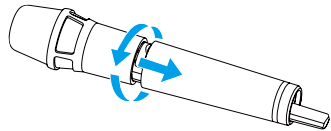
Status	Indicators
Fully charged	Solid blue light
Charging	Solid red light
Error occurs	Flashing red light

⑦ USB-C Charging Port (DC 5V)

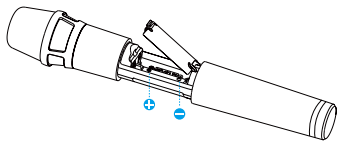
Battery Installation

The transmitter is powered by a rechargeable Li-ion battery or two AA batteries. To install batteries, please follow these steps:

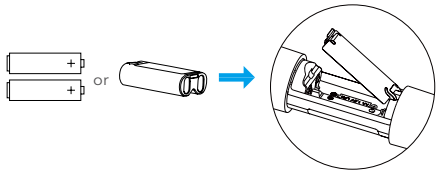
1. Turn the grip anti-clockwise, and pull the grip down until the battery compartment is visible.



2. Open the battery cover as shown.



3. Insert two two AA batteries or the supplied Li-ion battery into the battery compartment, respecting the polarity indicated inside the compartment.



4. Close the battery cover, and turn the grip clockwise to tighten it.

Note:

1. Replacing the batteries during operation may generate a large noise. Be sure to turn off the unit before replacing the batteries.
2. When not using the device for a long period of time, remove the batteries.
3. AA batteries can not be charged with this unit. Please do not charge the unit when two AA batteries are inserted. The charging indicator will blink red light when this error occurs.

Operation Guide

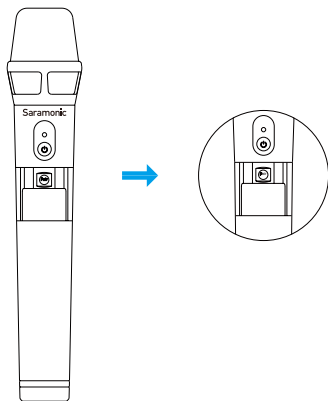
How to connect the Vlink2 TX with the Vlink2 RX

Before leaving factory, the transmitter and the receiver of a set are pre-paired. Therefore, the connection will be established once they are powered on. If transmitters and receiver are disconnected, please follow below steps:

1. Turn on the receiver and the transmitter.
2. Press the buttons "+" and "-" for 3 seconds at the same time to enter pairing mode. The RF lights of receiver and transmitter flash quickly.
3. The system is paired successfully when the RF lights of the TX and RX turn solid blue.

How to connect the Vlink2 HU with the Vlink2 RX

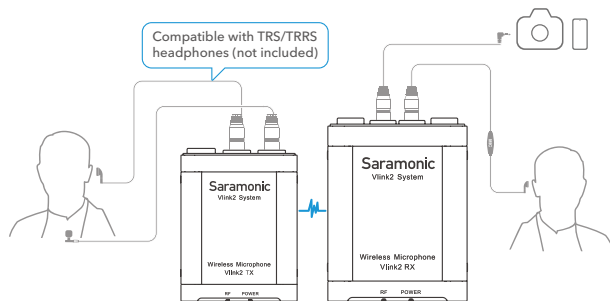
1. Long press the Power button to turn on the Vlink2 RX and the Vlink2 HU.
2. Long press the Pair button of the Vlink2 RX (press the buttons "+" and "-" at the same time) to enter pairing mode. The RF indicator will flash rapidly in blue.
3. Unscrew the grip and press the Pair button of the Vlink2 HU to enter pairing mode. The indicator will flash rapidly in blue.

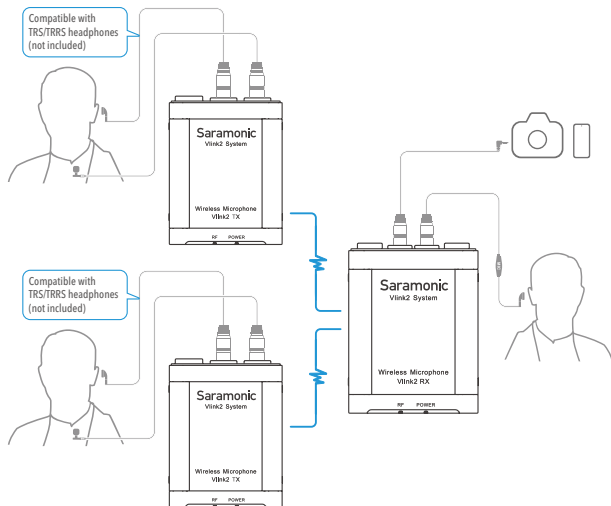


4. The system is paired successfully when the indicators of the RX and HU turn solid blue.

Connection Example

TX+RX





Packing Lists

Vlink2 Kit1 (TX+RX)

- Transmitter (1)
- Receiver (1)
- DK3 Omnidirectional Lavalier Microphone Kit (1)
- Headphone (talkback and monitoring function) (1)
- USB-C Charging Cable (2)
- 3.5mm TRS Locking-type Plug Audio Cable for Cameras (1)
- 3.5mm TRRS Locking-type Plug Audio Cable for Smartphone (1)
- Cold Shoe Mount Adapter (1)
- Detachable Antenna (3)
- Belt clip (2)
- Hard Protective Case (1)

Vlink2 Kit2 (TX+TX+RX)

- Transmitter (2)
- Receiver (1)
- DK3 Omnidirectional Lavalier Microphone Kit (2)
- Headphone (talkback and monitoring function) (1)
- USB-C Charging Cable (3)
- 3.5mm TRS Locking-type Plug Audio Cable for Cameras (1)
- 3.5mm TRRS Locking-type Plug Audio Cable for Smartphone (1)
- Cold Shoe Mount Adapter (1)
- Detachable Antenna (4)
- Belt clip (3)
- Hard Protective Case (1)

Vlink2 HU

- Vlink2 HU Handheld Microphone Transmitter (1)
- Type-C Charging Cable (1)
- Rechargeable Li-ion Battery (1)

Specifications

Vlink2 RX

Oscillator type	GFSK
Carrier frequencies	2.4GHz
Operating range	Up to 328'(100m)
Audio connector	3.5 mm LINE OUT jack 3.5mm MIC IN & 3.5mm headphone output jack
Built-in battery capacity	3000mAh
Continuous use time	19 hrs
Power requirements	Built-In Li-ion Battery or USB-C DC 5V
Signal-to-noise ratio	75 dB or more
Headphone output level	30mW (32 Ω)
RF output power	< 10mW
Frequency response	35Hz-18KHz
Dimensions	88x69x23mm
Weight	189g(6.6oz)
Operating temperature	-10 °C to 50 °C
Storage temperature	-20 °C to +55°C

Vlink2 TX

Oscillator type	GFSK
Carrier frequencies	2.4GHz
Operating range	Up to 328'(100m)
Audio output connector	3.5mm headphone output
Audio input connector	3.5mm MIC IN/LINE IN jack
Built-in battery capacity	2000mAh
Continuous use time	20 hrs
Power requirements	Built-In Li-ion Battery or USB-C DC 5V
Signal-to-noise ratio	75 dB or more
Sensitivity	Lavalier microphone: -40dB.
Headphone output level	30mW (32 Ω)
RF output power	< 10mW
Frequency response	35Hz-18KHz
Dimensions	70x52x23mm
Weight	121g(4.3oz)
Operating temperature	-10 °C to 50 °C
Storage temperature	-20 °C to +55°C

Vlink2 HU

Oscillator type	GFSK
Carrier frequencies	2.4GHz
Operating range	Up to 164'(50m)
Battery capacity	1600mAh Li-ion battery or 2*AA battery
Continuous use time	With the supplied Li-ion battery: 22 hrs With 2 AA batteries: 20 hrs
Power requirements	Li-ion battery or 2*AA batteries or USB-C
Signal-to-noise ratio	DC 5V
Microphone type	75 dB or more
Sensitivity	Condenser microphone
RF output power	-35dB
Frequency response	< 10mW
Dimensions	35Hz-18KHz
Weight	49.2x263.1x49.2mm
Operating temperature	225g (7.9oz)
Storage temperature	-10 °C to 50 °C
	-20 °C to +55°C

声明

请在使用前仔细阅读本手册，并严格按照说明进行操作和存储。请保存以供将来参考。如果用户手册不能帮助您解决某些问题，请向零售商寻求帮助或给我们发送电子邮件：info@saramonic.com。

注意事项

1. 请勿在水下使用本机，也不要使其受到雨淋。请存放在阴凉干燥处。
2. 请在常温下使用和存放。请勿经常在冷热交替状态下使用设备，并远离加热器和烤箱等热源。
3. 使用和存放时，请注意防尘和防潮。
4. 注意剧烈碰撞。
5. 为避免声音反馈，请勿将麦克风靠近扬声器。
6. 为获得最佳拾音模式，请勿将手放在麦克风头上。

FCC Warning

This device complies with part 15 of the FCC Rules. Operation is subject to the following two conditions:(1) This device may not cause harmful interference, and (2) this device must accept any interference received, including interference that may cause undesired operation. Any Changes or modifications not expressly approved by the party responsible for compliance could void the user's authority to operate the equipment.

This equipment has been tested and found to comply with the limits for a Class B digital device, pursuant to part 15 of the FCC Rules. These limits are designed to provide reasonable protection against harmful interference in a residential installation. This equipment generates uses and can radiate radio frequency energy and, if not installed and used in accordance with the instructions, may cause harmful interference to radio communications. However, there is no guarantee that interference will not occur in a particular installation. If this equipment does cause harmful interference to radio or television reception, which can be determined by turning the equipment off and on, the user is encouraged to try to correct the interference by one or more of the following measures:

- Reorient or relocate the receiving antenna.
 - Increase the separation between the equipment and receiver.
 - Connect the equipment into an outlet on a circuit different from that to which the receiver is connected.
 - Consult the dealer or an experienced radio/TV technician for help.
- The device has been evaluated to meet general RF exposure requirement. The device can be used in portable exposure condition without restriction.

JIAYZ 长丰 深圳市长丰影像器材有限公司					
产品/零件名称	V10k2 说明书	比例	1:1	版本	V01
工程图号	V10k2 说明书	物料描述	102g 铜板经过涂 磨号打 正发烫印膜 P06		
物料编号	1F0300490124	尺寸/用量	120x90mm		
制图人/日期	胡明 2021.09.18	正负公差	2mm		

修改名称	版本	变更内容	变更日期	变更担当
	V00	首次发行	2021.07.15	杨刚
	V01	新增涂膜中套图	2021.09.18	杨刚