

2.4 GHz Wireless Microphone System

2.4 GHz 无线麦克风系统

Vlink2

User Manual

用户手册

Statement

Please read this manual carefully before use and operate and store in strict accordance with the instructions provided. Please retain for future reference.

For any issues that cannot be resolved with the user manual, please refer to your retailer for help or contact us at: info@saramonic.com.

Cautions

- 1. Take care not to use the unit underwater or unprotected in rainy conditions. Store in a cool, dry place.*
- 2. Designed for use and storage at normal temperatures. Do not move the unit from overheated to cold conditions frequently, and keep away from heat sources such as heaters and ovens.*
- 3. When in use, or when storing, avoid contact with dust and moisture.*
- 4. Do not subject to device to violent collisions, as this can damage the device.*
- 5. In order to avoid acoustic feedback, do not hold the microphone close to loudspeakers.*
- 6. For optimal sound detection, do not hold your hand against the microphone head*

声明

请在使用前仔细阅读本手册，并严格按照说明进行操作和存储。请保存以供将来参考。

如果用户手册不能帮助您解决某些问题，请向零售商寻求帮助或给我们发送电子邮件：info@saramonic.com。

注意事项

1. 请勿在水下使用本机，也不要使其受到雨淋。请存放在阴凉干燥处。
2. 请在常温下使用和存放。请勿经常在冷热交替状态下使用设备，并远离加热器和烤箱等热源。
3. 使用和存放时，请注意防尘和防潮。
4. 注意剧烈碰撞。
5. 为避免声音反馈，请勿将麦克风靠近扬声器。
6. 为获得最佳拾音模式，请勿将手放在麦克风头上。

General Introduction

The Saramonic Vlink2 wireless microphone system provides a premium 2-person wireless audio solution for vloggers, mobile journalists and content creators for a remarkable price. It is an easy-to-use, high-quality and flexible 2.4 GHz system. The external microphone input allows the receiver to be connected to a mic device. The system can be powered through its USB-C ports, allowing it to run for numerous hours on a USB-C 5V power bank.

Portable Receiver Vlink2 RX

Introduction

The Saramonic Vlink2 RX is a camera-mountable dual-channel 2.4 GHz wireless receiver. It features a high-contrast OLED display and talkback function to transmitter. The two detachable antennas can be rotated 360° for better reception. The receiver's output can be toggled between mono and stereo modes. The talkback and monitor function on the receiver allows camera operators to select individually if desired, and communication can be controlled by a mute button.

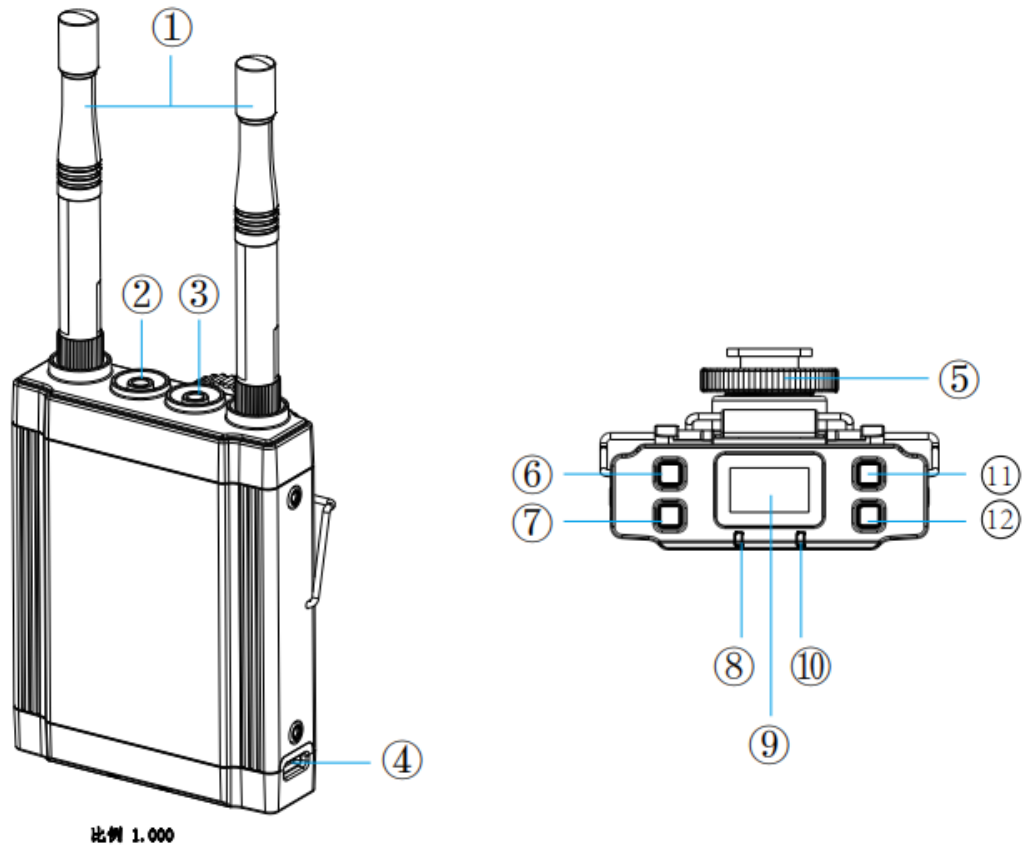
枫笛 Vlink2 是 2.4 GHz 无线麦克风系统，无线操作方便快速开始录音体验。适用于单反视频录制，现场制作，广播节目录制，电子新闻采集，现场采访等场景。

便携式接收器 Vlink2 RX

介绍

枫笛 Vlink2 RX 便携式接收器可提供数字音频处理级音质和 2.4GHz 信号传输技术。它可提供宽频率范围并覆盖多个通道，易于使用的高清显示屏和小尺寸接收器可完美连接在 DSLR 摄像机上。Vlink2 RX 可调试输出信号单声道 / 立体声模式。接收器上的对讲和监控功能允许摄像操作员根据需要单独选择，通信可以通过静音按键控制。

Product Structure



1. Antennas

2. LINE OUT

3. 3.5mm talkback and headphone jack

Using the talkback function with the supplied headphone, the receiver can monitor the real-time feedback and talkback communication with transmitter.

Camera operators can be selected individually if desired, and communication can be controlled by a power/mute button, or locked open.

4. USB-C (DC 5V)

5. Cold shoe mount adapter

6. Power/mute button

Status	Operation
Power ON	Press button for one second or longer Power
Power OFF	Press button until it turns off
Mute ON	Short press button
Mute OFF	

7. SET button

Long press the SET button to enter the displayed menu.

Then, short press the SET button to confirm your setting change, or long press again to exit without saving.

8. RF indicator

Status	Indicators
Disconnected	Lights off
Paired Successfully	Solid green light
Mute ON (Paired Successfully)	Flashes green light

9. OLED display

10. POWER indicator

Status	Indicators
Power On/Fully charged	Solid green light
Low battery/Charging	Solid red light

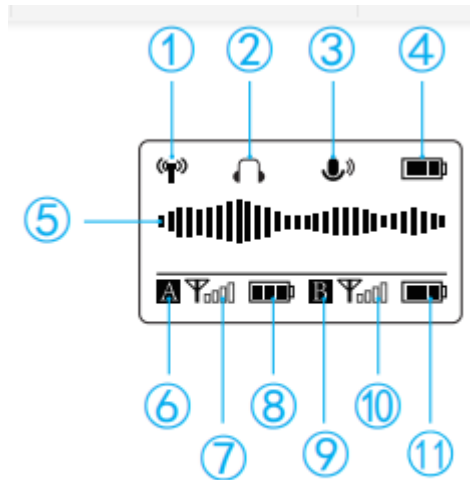
11. +/- button (Pairing button)

Press the button “+” and “-” for 3 seconds for receiver and transmitter at the same time, entering pairing mode.

Attaching Accessories

(RX 安装步骤)

LCD Display Operation Guide



Home screen: If no operation is performed for 20 seconds on the other screens, the display will automatically return to the home screen.

① Pairing Indicator



Paired Successfully



② Audio monitoring icon

为什么 UI 界面要弄个监听标志?

③ Mute Indicator

(图标) Mute Off  Mute On

④ Battery Level Indicator

Displays the RX battery level. Please recharge the device immediately when the indicator starts flashing.

⑤ Audio input level meter

Displays the audio input level

⑥ Group A icon

⑦ RF level indicator (Group A)

Indicates the current reception level.

⑧ Battery Level Indicator

Displays the TX battery level. Please recharge the device immediately when the indicator starts flashing.

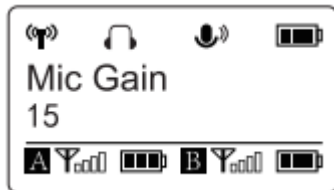
⑨**Group B icon**

⑩**RF level indicator (Group B)**

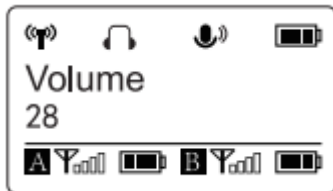
Indicates the current reception level.

⑪**Battery Level Indicator**

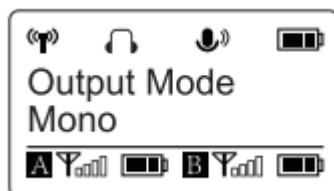
Displays the TX battery level. Please recharge the device immediately when the indicator starts flashing.



MIC GAIN: Adjust the external microphone's gain level (0-19). Default is "15"



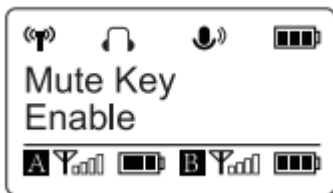
Set output volume: Set the volume of output audio within the range of 0 to 31. The setting is retained even after the power is turned off. Default volume is 28.



Output mode: The output mode can be set to mono or stereo. When the output mode is in mono, the audio from the left and right channel will be mixed. When in stereo, receiver A's and receiver B's audio output will be separated to the left and right of the stereo output. System default is mono.



Set backlight: Set the background LED light to ON or Delay by 60, 30, or 10 seconds. Default setting is "Delay 30s."



Set Mute key: If you want to mute the audio, please select "Enable" first and then short press the power button. The default is "Enable."



Language: English/简体中文 Default is English



Restoring default setting



Vlink2-RX Version

1. 天线
2. 线性输出孔
3. 麦克风音频监听对讲插孔
利用所提供耳机的对讲功能，接收机可以监控实时反馈和对讲通信。
4. USB-C 充电口（直流电 5V）
5. 冷靴座卡板
6. 电源/静音键

状态	操作
电源开	长按开关键 1 秒以上
电源关	长按开关键直至关机
静音开	短按开关键
静音关	

7. 设置键
8. RF 指示灯

状态	指示灯
断开	灯熄灭
配对成功	绿灯常亮
静音模式（已连接状态下）	闪绿灯

9. OLED 显示屏
10. 电源指示灯

状态	指示灯
电源开/充满电	绿灯常亮
低电量/充电中	红灯常亮

11. +/- 键
同时长按下 +/- 键 3 秒进入配对模式，通常情况下出厂前已配对好。

Attaching Accessories

(RX 安装步骤)

主菜单界面

如果超过 20 秒不操作，显示屏会自动跳转回主菜单界面。

① 配对状态

配对成功 未配对

② 耳机监听

射频信号强度

③ 静音功能

对讲模式 静音模式

④接收器剩余电量

显示发射器电量情况，若图标为空格且开始闪烁，请及时进行充电。

⑤ 输入电平大小

显示输入电平大小

⑥A 组通道开关图示

⑦发射器剩余电量

显示发射器电量情况，若图标为空格且开始闪烁，请及时进行充电。

⑧ 输入电平大小

显示输入电平大小

⑨B 组通道开关图示

⑩发射器剩余电量

显示发射器电量情况，若图标为空格且开始闪烁，请及时进行充电。

⑪输入电平大小

显示输入电平大小



麦克风增益

外接麦克风增益值调节范围（0-19），默认值是“15”



输出音量设置

输出音量设置调节范围（0-31），默认值是“28”



输出模式:输出模式可设置为单声道或立体声。

当输出模式为单声道时，左右声道的音频会混合。在立体声时，接收器 A 和接收器 B 的音频输出将被分离到立体声输出的左右两边。系统默认是单声道模式。



背光灯设置

LED 背光灯设置：开启 / 延迟 60/30/10 秒设定，（延迟 30s 为系统默认设定）



静音键设置：开启 / 关闭静音功能（开启为系统默认设定）



语言设置：英语/简体中文 默认设置：简体中文



确认恢复出厂设置后，Vlink2 RX 的相关参数将被恢复到默认出厂值。



Vlink2 RX 当前版本号

Body-pack Transmitter Vlink2 TX

Introduction

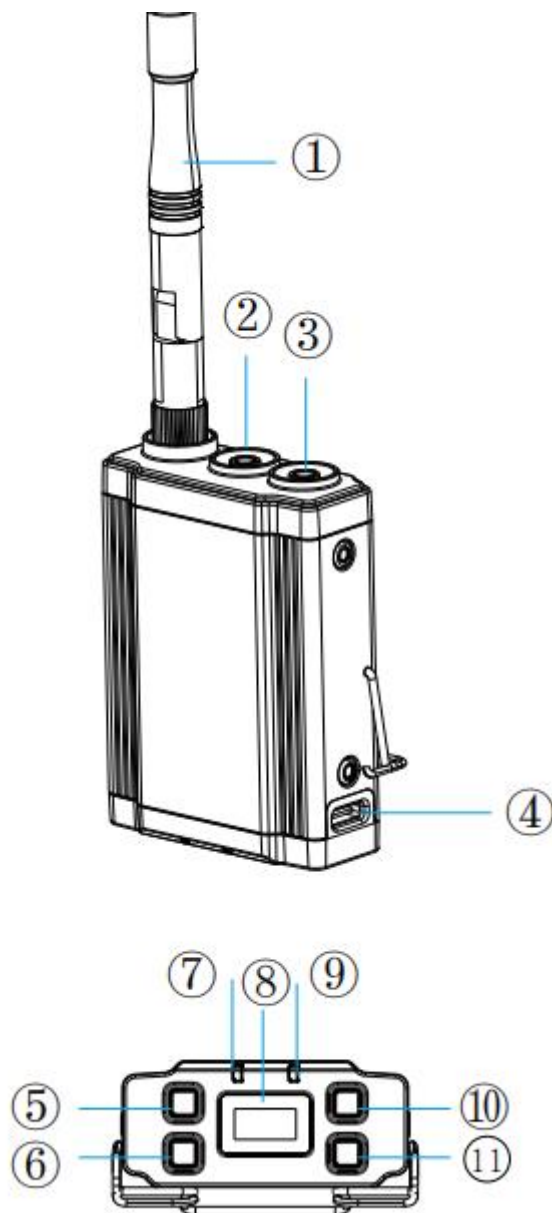
The Saramonic Vlink2 TX is a compact body-pack transmitter. It features an easy-to-read OLED display, a detachable antenna and built-in rechargeable battery. With the 3.5mm headphone and mic input jack, it can accept audio from the included 3.5mm locking mic, and supports the real-time audio monitoring. A short press of the power button mutes the mic between takes.

腰包发射器 Vlink2 TX

简介

Saramonic Vlink2 TX 是轻便小巧的腰包发射机。它拥有易于阅读的 OLED 显示屏幕，可拆卸的天线和内置的可充电电池。内置 3.5mm 耳机和麦克风输入孔，兼容 3.5mm TRS 麦克风输入音频，支持实时音频监控。在拍摄过程中，短按电源按钮，麦克风就会开启静音模式。

Product Structure



1. Antenna

2. 3.5mm headphone output

Connect headphones to monitor the audio.

3. MIC IN jack

The receiver can be connected to a 3.5mm microphone.

4. USB-C DC 5V

5. Power/mute button

Status	Operation
Power ON	Press button for one second or longer Power
Power OFF	Press button until it turns off
Mute ON	Short press button
Mute OFF	

6. SET button

7. RF indicator

Status	Indicators
Disconnected	Lights off
Paired Successfully	Solid green light
Mute ON (Paired Successfully)	Flashes green light

8. OLED display

Display menus, please refer to "OLED Display Operation Guide" (page) for more details.

9. POWER indicator

Status	Indicators
Power On/Fully charged	Solid green light
Low battery/Charging	Solid red light

10. +/- button (Pairing button)

Press the button "+" and "-" for 3 seconds for receiver and transmitter at the same time, entering pairing mode.

How to connect the transmitter and receiver?

Before leaving factory, the connection of transmitters and receiver will be established.

If transmitters and receiver disconnect, please follow below steps:

1. Turn on the receiver and the transmitters.
2. Press the button "+" and "-" for 3 seconds for receiver and transmitter at the same time.
3. When transmitter and receiver connects, the light of receiver and transmitters flash quickly.
4. Repeat step 2 for the other transmitter. Otherwise, the RF light for receiver and transmitters still stay lights off, then try 1-3 steps again.

1. 天线

线性输出孔

2. 耳机监听孔

插入耳机进行监听。

3. 麦克风输入孔

兼容 3.5mm TRS 麦克风输入音频

4. USB-C 充电口（直流电 5V）

5. 冷靴座卡板

6. 电源/静音键

状态	操作
电源开	长按开关键 1 秒以上
电源关	长按开关键直至关机
静音开	短按开关键
静音关	

7. 设置键

8. RF 指示灯

状态	指示灯
断开	灯熄灭
配对成功	绿灯常亮
静音模式（已连接状态下）	闪绿灯

8.OLED 显示屏

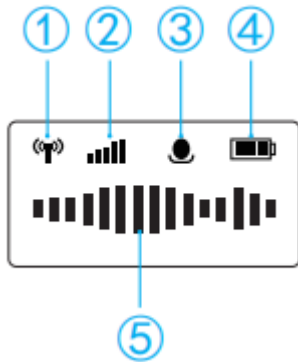
9. 电源指示灯

状态	指示灯
电源开/充满电	绿灯常亮
低电量/充电中	红灯常亮

10. +/- 键

同时按下 +/- 键进入配对模式，通常情况下出厂前已配对好

OLED Display Operation Guide



Home screen: If no operation is performed for 20 seconds on the other screens, the display will automatically return to the home screen.

① Pairing Indicator



Paired Successfully



Disconnected

② RF Level Indicator

③ Mute Indicator

(缺图标) Mute Off  Mute On

④ Battery Level Indicator

Displays the TX battery level. Please recharge the device immediately when the indicator starts flashing.

⑤ Audio input level meter

Displays the audio input level

Mic Gain
15

MIC GAIN: Adjust the external microphone's gain level (0-19). Default is "15".

Volume
28

Set output volume: Set the volume of output audio within the range of 0 to 31. The setting is retained even after the power is turned off. Default volume is 28.

B-Light
ON

Set backlight: Set the background LED light to ON or Delay by 60, 30, or 10 seconds. Default setting is "Delay 30s."

Restore
Default

Restoring default setting

Version
1.0.2

Vlink2-TX Version

主菜单界面

如果超过 20 秒不操作，显示屏会自动跳转回主菜单界面。

① 配对状态

配对成功 未配对

②耳机监听

射频信号强度

③静音功能

对讲模式 静音模式

④接收器剩余电量

显示发射器电量情况，若图标为空格且开始闪烁，请及时进行充电。

⑤ 输入电平大小

显示输入电平大小

⑥A 组通道开关图示

⑦发射器剩余电量

显示发射器电量情况，若图标为空格且开始闪烁，请及时进行充电。

⑧ 输入电平大小

显示输入电平大小

⑨B 组通道开关图示

⑩发射器剩余电量

显示发射器电量情况，若图标为空格且开始闪烁，请及时进行充电。

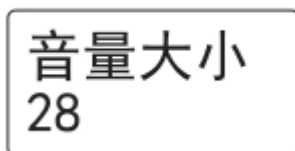
⑪输入电平大小

显示输入电平大小



麦克风增益

外接麦克风增益值调节范围 (0-15)，默认值是“13”



输入音量设置

输入音量设置调节范围 (0-15)，默认值是“13”

背光时间
常亮

背光灯设置

LED 背光灯设置：开启 / 延迟 60/30/10 秒设定，（延迟 30s 为系统默认设定）

恢复
恢复出厂

确认恢复出厂设置后，Vlink2-TX 的相关参数将被恢复到默认出厂值。

版本号
1.0.2

Vlink2-TX 当前版本号

如何将 TX 和 RX 进行对码？

1. 将 TX 机和 RX 机进行开机
2. 同时按下 TX 机的+/-按键，此时 TX 机的 RF 指示灯为快闪状态
3. 同时按下 RX 机的+/-按键，此时 RX 机的 RF 指示灯为快闪状态
4. 待 TX 机和 RX 机 RF 指示灯同时变为绿色常亮时，则完成了对码。

Packing Lists

Vlink2 Kit1 (TX+RX):

DK3 Omnidirectional Lavalier Microphone Kit (1)

Talkback and monitoring headphone

USB-C Charging Cable (2)长度

3.5mm TRS Locking-type Plug Audio Cable for Cameras

3.5mm TRRS Locking-type Plug Audio Cable for Smartphone(CTIA standard)

Cold Shoe Mount Adapter (1)

Detachable Antenna(3)

Belt clip(2)

Vlink2 Kit2 (TX+TX+RX):

DK3 Omnidirectional Lavalier Microphone Kit (2)

Talkback and monitoring headphone

USB-C Charging Cable (3)长度

3.5mm TRS Locking-type Plug Audio Cable for Cameras

3.5mm TRRS Locking-type Plug Audio Cable for Smartphone(CTIA standard)

Cold Shoe Mount Adapter (1)

Detachable Antenna(4)

Belt clip(3)

包装清单

Vlink2 Kit1 (发射器+接收器):

DK3A 领夹麦克风套装 (带锁) *1

耳机麦克风*1

Type-C 充电线*2

手机音频转接线*1

相机音频转接线*1

冷靴座卡板*1

可拆卸天线*3

背夹*2

Vlink2 Kit2 (发射器+发射器+接收器):

DK3A 领夹麦克风 (带锁) *2

耳机麦克风*1

Type-C 充电线*3

手机音频转接线*1

相机音频转接线*1

冷靴座卡板*1

可拆卸天线*4

背夹*3

Specifications

Oscillator type GFSK

Carrier frequencies 2.4GHz (2406-2474MHz)

Signal to noise ratio ≥ 75 dB

Reference audio input -30~-42dBv (MIC input,0 dB attenuation)

RF output power 5mW

Power Consumption TX: ≤ 70 mA (3.7V) . RX: ≤ 70 mA (3.7V)

Distortion 0.05% or less (32 Ω ,1 KHz,65mW output)

Battery Capacity RX:3000mAh TX:2000mAh

Battery run-time 19 hrs

Charging Connector USB-C jack (DC 5V)

Audio input connector 3.5mm jack, with lock

Listening connector 3.5mm jack, with lock

Frequency response 35Hz-14KHz ± 3 dB

Dimensions RX: 88*69*23mm()

TX: 70*52*23mm()

Weight RX:

TX:

Distance 100m (without obstacle)

Operating temperature 0°C to 50°C

Storage temperature -20°C to +55°C

参数

调制方式 高斯频移键控

频段范围 2.4GHz (2406-2474MHz)

信噪比 ≥ 75 dB

参考音频输入电平 -30~-42dBv (MIC input,0 dB attenuation)

射频输出功率 5mW

功耗 TX: ≤ 70 mA (3.7V) . RX: ≤ 70 mA (3.7V)

失真率 < 0.05% (32 Ω ,1 KHz,65mW output)

电池 RX:3000mAh TX:2000mAh

电池工作时间 19 小时

充电接口 Type-C 接口

音频输入接口 3.5mm 接口,带锁 3.5mm jack, with lock

耳机监听孔 3.5mm 接口,带锁

频率响应 35Hz-14KHz ± 3 dB

尺寸 RX: 88*69*23mm

TX: 70*52*23mm

重量

距离 100m (无障碍)

工作温度 0°C to 50°C

贮存温度 -20°C to +55°C

FCC Statement

This equipment has been tested and found to comply with the limits for a Class B digital device, pursuant to part 15 of the FCC Rules. These limits are designed to provide reasonable protection against harmful interference in a residential installation. This equipment generates, uses and can radiate radio frequency energy and, if not installed and used in accordance with the instructions, may cause harmful interference to radio communications. However, there is no guarantee that interference will not occur in a particular installation. If this equipment does cause harmful interference to radio or television reception, which can be determined by turning the equipment off and on, the user is encouraged to try to correct the interference by one or more of the following measures:

- Reorient or relocate the receiving antenna.
- Increase the separation between the equipment and receiver.
- Connect the equipment into an outlet on a circuit different from that to which the receiver is connected.
- Consult the dealer or an experienced radio/TV technician for help.

Caution: Any changes or modifications to this device not explicitly approved by manufacturer could void your authority to operate this equipment.

This device complies with part 15 of the FCC Rules. Operation is subject to the following two conditions: (1) This device may not cause harmful interference, and (2) this device must accept any interference received, including interference that may cause undesired operation.

RF Exposure Information

The device has been evaluated to meet general RF exposure requirement. The device can be used in portable exposure condition without restriction.