


Saramonic®

Sound.Remarkable. 

Ultracompact 2.4GHz
Dual-Channel Wireless
Microphone System

Blink500

User Manual

General Introduction

The Saramonic Blink500 is an incredibly lightweight, ultracompact and easy-to-use 2-person wireless microphone system for DSLR, Mirrorless and Video cameras, or mobile devices that delivers detailed, broadcast-quality sound.

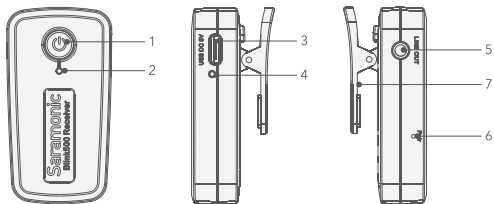
The system series is comprised of three different receivers. The RX receiver has a 3.5mm output and includes TRS and TRRS output cables, allowing it to work with any device with a 3.5mm audio input. The RXDi receiver has a MFi Certified Lightning output and is designed for Apple iOS devices. And the RXUC receiver has a USB-C output and is designed for devices with a USB-C port, including Android smartphones and tablets.

The clip-on transmitter has a great sounding built-in mic and it is small and light enough to clip to shirts and clothing, or you can use it as a traditional beltpack transmitter with the included SR-M1 professional lavalier microphone.

No technical knowledge of audio is required to operate. The Blink500 system operates on the interference-free 2.4GHz spectrum and automatically hops to free channels to avoid static noise and audio dropouts.

Product Structure

1. Blink500 RX: Clip-On and Shoe-Mountable Receiver



① Power Key

Long press to turn on or off the receiver.

② Power and Pairing Indicator

Power Functions:

Solid Red Light = Low Battery

Pairing Functions:

Flashing Blue Light (every one second) = Unpaired

Quick Flashing Blue Light (every 0.5 second) = Waiting for Pairing

Solid Blue Light = Paired Successfully

Once the receiver and transmitter are paired, they will be connected with each other automatically, even when powered off and on.

③ USB Type-C Charging Port

④ Charge Indicator

Solid Green Light = Charging Battery

Light turns off when fully charged.

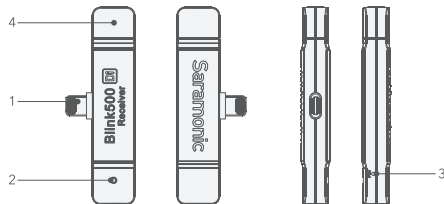
⑤ Line Out

Connect the receiver to a DSLR or Mirrorless camera, camcorder, smartphone, tablet, mixer or amplifier with the supplied output cables.

⑥ Pairing Pin-Hole

⑦ Belt Clip and Standard Cold Shoe Mount

2. Blink500 RXDi: Lightning Receiver



① Lightning Connector

② Pairing Indicator

Flashing Blue Light (every one second) = Unpaired

Quick Flashing Blue Light (every 0.5 second) = Waiting for Pairing

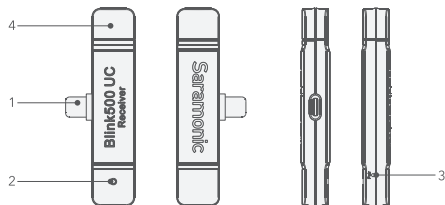
Solid Blue Light = Paired Successfully

Once the receiver and transmitter are paired, they will be connected with each other automatically, even when powered off and on.

③ Pairing Pin-Hole

④ Antenna

3. Blink500 RXUC: USB-C Receiver



① USB Type-C Connector

② Pairing Indicator

Flashing Blue Light (every one second) = Unpaired
Quick Flashing Blue Light (every 0.5 second) = Waiting for Pairing

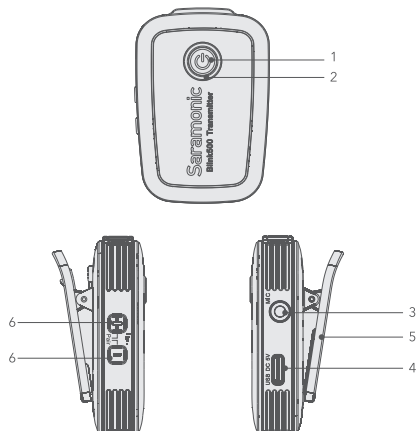
Solid Blue Light = Paired Successfully

Once the receiver and transmitter are paired, they will be connected with each other automatically, even when powered off and on.

③ Pairing Pin-Hole

④ Antenna

4. Blink500 TX: Body-pack Transmitter with Microphone



① Power Key

Long press to turn on or off the transmitter.

② Power Indicator, Volume Indicator and Pairing Indicator

Power Functions:

Solid Red Light = Low Battery

When charging:

Solid Green Light = Charging Battery

Light turns off when fully charged.

Volume Functions:

Indicates the volume setting in three stages.



Adjust the audio level by the "+" and "-" buttons.
Default is in the third stage.
The transmitter mic will be muted if you turn down the volume till all the lights are turned off.

Pairing Functions:



Flashing Blue Light (every one second) = Unpaired
Slow Flashing Blue Light (every three seconds) = Paired Successfully

- ③ 3.5mm Audio Input
Connect to the supplied lavalier microphone.
- ④ USB Type-C Charging Port
- ⑤ Belt Clip and Standard Cold Shoe Mount
- ⑥ Volume Control Buttons & Pair Buttons

Operation Guide

For the Blink500 B1/B2 kit

1. Turn on the transmitter TX by long pressing the power key.
2. Turn on the receiver RX by long pressing the power key.
3. Insert the pairing pin into the pairing pin-hole of RX, press hard and the pair indicator should be quick flashing at every 0.5s. Press both the "+" and "-" button of transmitter TX simultaneously within 10 seconds.
4. The kit will be paired when the RX pair indicator is solid blue and the TX pair indicator is flashing slowly.

Note: To pair the second transmitter TX, just repeat the step 3 and 4.

5. Connect the receiver RX to the mic jack of a camera, camcorder, recorder or mixer with the supplied 3.5mm TRS audio cable. Or connect the RX to a smartphone or tablet with the supplied 3.5mm TRS to TRRS audio cable.
6. You are ready to record.

Note: The output of receiver RX is line out. You can connect it to speaker system. To avoid noise during connection, before connecting the receiver to a speaker system, please mute the speaker system and do not use the headphones.

For the Blink500 B3/B4/B5/B6 kit

1. Turn on the transmitter by long pressing the power key.
2. Plug the RXDi into an iOS device or the RXUC into an USB Type-C device. Please make sure the antenna (yellow side) is oriented on the top of the device, when in landscape mode, to get the best signal.

3. Insert the pairing pin into the pairing pin-hole of RXDi or RXUC, press hard and the pair indicator should be quick flashing at every 0.5s. Press both the "+" and "-" button of transmitter TX simultaneously within 10 seconds.
4. The kit will be paired when the RX pair indicator is solid blue and the TX pair indicator is flash slowly.
Note: To pair the second transmitter TX, just repeat the step 3 and 4.
5. You are ready to record.

Specification

Blink500 RXUC	
Transmission Type	2.4GHz Digital Frequency
Modulation	GFSK
Operating Range	Up to 164' (50m)
Audio Output Connector	USB-C Connector
Power Requirements	Supplied by USB-C Devices
Built-in Battery Life	Approx. 6 hours
Antenna	PCB Antenna
Weight	Approx. 10.5g (0.37oz)
Operating Temperature	0°C to 50°C
Storage Temperature	-20°C to +55°C

Blink500 RXDi	
Transmission Type	2.4GHz Digital Frequency
Modulation	GFSK
Operating Range	Up to 164' (50m)
Audio Output Connector	MFi Certified Lightning Connector
Power Requirement	Supplied by iOS Device
Built-in Battery Life	Approx. 6 hours
Antenna	PCB Antenna
Weight	Approx. 11g (0.38oz)
Operating Temperature	0°C to 50°C
Storage Temperature	-20°C to +55°C

Blink500 RX	
Transmission Type	2.4GHz Digital Frequency
Modulation	GFSK
Operating Range	Up to 164' (50m)
Audio Output Connector	3.5 mm Jack
Audio Output level	-60 dBV
Power Requirements	Built-in Li-ion Battery or USB-C DC 5V
Built-In Battery Life	Approx. 6 hours
Antenna	PCB Antenna
Weight	Approx. 26.5g (0.93oz)
Operating Temperature	0°C to 50°C
Storage Temperature	-20°C to +55°C

Blink500 TX	
Transmission Type	2.4GHz Digital Frequency
Modulation	GFSK
Operating Range	Up to 164' (50m)
Polar Pattern	Omnidirectional
Frequency Response	50Hz-18KHz
Maximum SPL	Built-in Microphone: 120dB SPL Lavalier Microphone: 110dB SPL
Sensitivity	Built-in Microphone: -42dB Lavalier Microphone: -30dB
SNR	> 78dB
Power Requirements	Built-in Li-ion Battery or USB-C DC 5V
Built-in Battery Life	Approx. 6 hours
Antenna	PCB Antenna
Audio Inputs	3.5mm TRS Lavalier Microphone Input or Built-in Microphone
Weight	Approx. 34g (1.2oz)
Operating Temperature	0°C to 50°C
Storage Temperature	-20°C to +55°C

Packing List

Blink500 RX

- 1× Blink500 RX Receiver with Built-In Clip and Camera Shoe-Mount
- 1× 1' (30.5 cm) Gold-Plated 3.5mm TRS to TRS Output Cable for Cameras
- 1× 1' (30.5 cm) Gold-Plated 3.5mm TRS to TRRS Output Cable for Smartphones and Tablets
- 1× 1' (30.5 cm) Gold-Plated USB-C to USB-A Charging Cables
- 1× Pairing Pin
- 1× Warranty Card
- 1× User Manual

Blink500 TX

- 1× Blink500 TX Transmitter with Built-In Microphone and Clip
- 1× SR-M1 Omnidirectional Lavalier Microphone
- 1× Alligator-Style Lavalier Microphone Clip
- 1× Foam Lavalier Windscreen
- 1× 1' (30.5 cm) Gold-Plated USB-C to USB-A Charging Cable
- 1× Pairing Pin
- 1× Warranty Card
- 1× User Manual

Blink500 RXDi

- 1× Blink 500 RXDi Receiver with MFi Certified Apple Lightning Connector
- 1× Pairing Pin
- 1× Warranty Card
- 1× User Manual

Blink500 RXUC

- 1× Blink 500 RXUC Receiver with USB-C Connector
- 1× Pairing Pin
- 1× Warranty Card
- 1× User Manual

Blink500 B1(TX+RX)

- 1× Blink500 RX Receiver with Built-In Clip and Camera Shoe-Mount
- 1× Blink500 TX Transmitter with Built-In Microphone and Clip
- 1× 1' (30.5 cm) Gold-Plated 3.5mm TRS to TRS Output Cable for Cameras
- 1× 1' (30.5 cm) Gold-Plated 3.5mm TRS to TRRS Output Cable for Smartphones and Tablets
- 2× 1' (30.5 cm) Gold-Plated USB-C to USB-A Charging Cables
- 1× SR-M1 Omnidirectional Lavalier Microphone
- 1× Alligator-Style Lavalier Microphone Clip
- 1× Foam Lavalier Windscreen
- 1× Pairing Pin
- 1× Warranty Card
- 1× User Manual

Blink500 B2(TX+TX+RX)

- 1× Blink500 RX Receiver with Built-In Clip and Camera Shoe-Mount
- 2× Blink500 TX Transmitters with Built-In Microphone and Clip
- 1× 1' (30.5 cm) Gold-Plated 3.5mm TRS to TRS Output Cable for Cameras
- 1× 1' (30.5 cm) Gold-Plated 3.5mm TRS to TRRS Output Cable for Smartphones and Tablets
- 3× 1' (30.5 cm) Gold-Plated USB-C to USB-A Charging Cables

- 2× SR-M1 Omnidirectional Lavalier Microphones
- 2× Alligator-Style Lavalier Microphone Clips
- 2× Foam Lavalier Windscreens
- 1× Pairing Pin
- 1× Warranty Card
- 1× User Manual

Blink500 B3(TX+RXDi)

- 1× Blink500 RXDi Receiver with MFi Certified Apple Lightning Connector
- 1× Blink500 TX Transmitter with Built-In Microphone and Clip
- 1× SR-M1 Omnidirectional Lavalier Microphone
- 1× Alligator-Style Lavalier Microphone Clip
- 1× Foam Lavalier Windscreen
- 1× 1' (30.5 cm) Gold-Plated USB-C to USB-A Charging Cable
- 1× Pairing Pin
- 1× Warranty Card
- 1× User Manual

Blink500 B4(TX+TX+RXDi)

- 1× Blink500 RXDi Receiver with MFi Certified Apple Lightning Connector
- 2× Blink500 TX Transmitters with Built-In Microphone and Clip
- 2× SR-M1 Omnidirectional Lavalier Microphones
- 2× Alligator-Style Lavalier Microphone Clips
- 2× Foam Lavalier Windscreens
- 2× 1' (30.5 cm) Gold-Plated USB-C to USB-A Charging Cables
- 1× Pairing Pin
- 1× Warranty Card
- 1× User Manual

Blink500 B5(TX+RXUC)

- 1× Blink500 RXUC Receiver with USB-C Connector
- 1× Blink500 TX Transmitter with Built-In Microphone and Clip
- 1× SR-M1 Omnidirectional Lavalier Microphones
- 1× Alligator-Style Lavalier Microphone Clip
- 1× Foam Lavalier Windscreen
- 1× 1' (30.5 cm) Gold-Plated USB-C to USB-A Charging Cable
- 1× Pairing Pin
- 1× Warranty Card
- 1× User Manual

Blink500 B6(TX+TX+RXUC)

- 1× Blink500 RXUC Receiver with USB-C Connector
- 2× Blink500 TX Transmitters with Built-In Microphone and Clip
- 2× SR-M1 Omnidirectional Lavalier Microphones
- 2× Alligator-Style Lavalier Microphone Clips
- 2× Foam Lavalier Windscreens
- 2× 1' (30.5 cm) Gold-Plated USB-C to USB-A Charging Cables
- 1× Pairing Pin
- 1× Warranty Card
- 1× User Manual

Common Technical Issues and Solutions

If you encounter problems when using the Blink500 system, please refer to the follow checklist before contacting technical support. If the problem cannot be solved, please contact the dealer's after-sales service department.

Problems	Causes	Solutions
The RX/TX cannot be turned on	The battery is very low.	Charge the RX/TX with the supplied charging cable.
The battery become drained quickly	The device is being used under cold or hot conditions.	Recharge or move to less cold or hot environment.
	The transmitter TX is muted.	Adjust the sound by the "+" and "-" buttons.
There is no sound	The transmitter and receiver is not paired.	Pair the system. Refer to the "Operation Guide."
	The audio cable is not fully plugged in.	Re-plug the audio cable.
The sound is weak	The transmitter volume setting is too low.	Adjust the volume, the goal is to transmit the highest level in the entire signal path without distortion to get the highest signal to noise ratio.
	Transmitter/receiver volume setting is not suitable.	Adjust the volume, the goal is to transmit the highest level in the entire signal path without distortion to get the highest signal to noise ratio.
The sound is distorted	Using a mono plug headphone.	Please use the headphone with stereo plug

Problems	Causes	Solutions
There is too much ambient noise is picked up	The Blink500 TX built-in microphone is omnidirectional. The microphone may pick up more ambient sounds.	Please make sure the microphone is as close as possible to the subject being shot.
	Signal is interfered.	<ol style="list-style-type: none"> 1. Adjust the angel of transmitter/receiver. 2. There is more radio frequency interference outdoors. Try to move the recording indoors. 3. Be away from conductive objects such as metal and water. 4. Overhead telephone lines, fluorescent lights, and metal fences may interfere with wireless microphones. 5. Turn off all nearby computers and phones.
There is sound interruption or noise	The RF signal is weak.	<ol style="list-style-type: none"> 1. Make sure that the line of sight between the transmitter and receiver antennas is unobstructed. 2. Your body, clothes, and stage set may be a hindrance. 3. If there are obstacles, you need to shorten the distance between the transmitter and the receiver.
	The input level of the camera, recorder or mixer is too high.	Turn down the audio input level of the camera or recording device. Turn down the gain of mixer.
	The volume of the transmitter is too high.	Lower the volume to the second stage.

FCC Warning Statement

This device complies with part 15 of the FCC Rules. Operation is subject to the following two conditions: (1) This device may not cause harmful interference, and (2) this device must accept any interference received, including interference that may cause undesired operation.

Changes or modifications not expressly approved by the party responsible for compliance could void the user's authority to operate the equipment. This equipment has been tested and found to comply with the limits for a Class B digital device, pursuant to Part 15 of the FCC Rules. These limits are designed to provide reasonable protection against harmful interference in a residential installation. This equipment generates uses and can radiate radio frequency energy and, if not installed and used in accordance with the instructions, may cause harmful interference to radio communications. However, there is no guarantee that interference will not occur in a particular installation. If this equipment does cause harmful interference to radio or television reception, which can be determined by turning the equipment off and on, the user is encouraged to try to correct the interference by one or more of the following measures:

- Reorient or relocate the receiving antenna.
- Increase the separation between the equipment and receiver.
- Connect the equipment into an outlet on a circuit different from that to which the receiver is connected.
- Consult the dealer or an experienced radio/TV technician for help.