

Saramonic

Sound.Remarkable. 

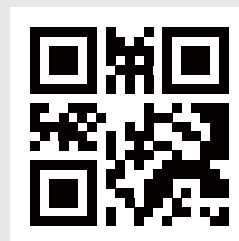
Wireless Lavalier Microphone

无线领夹式麦克风

BTW

User Manual

用户手册



Statement

Please read this manual carefully before using and strictly operate and store in accordance with the instructions. Please save it for your future reference.

If the user manual can not help you to solve certain problems, please ask your retailer for help or email us: info@saramonic.com.

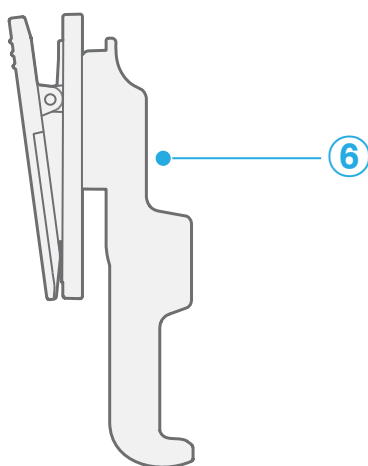
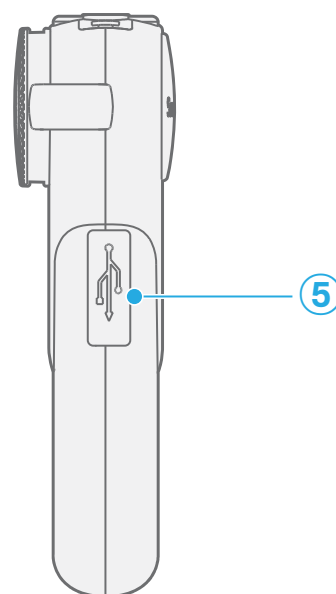
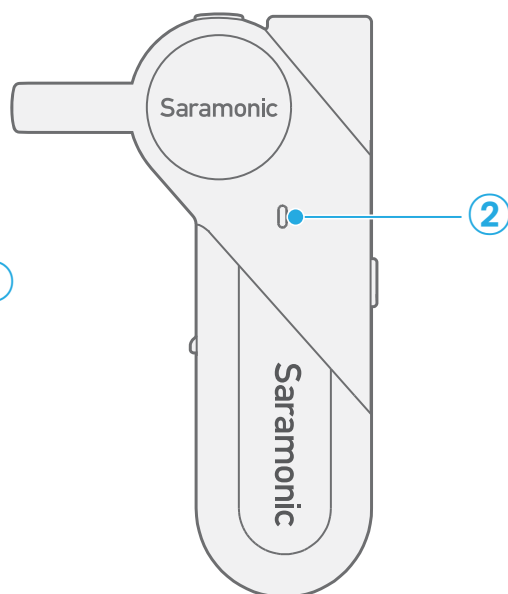
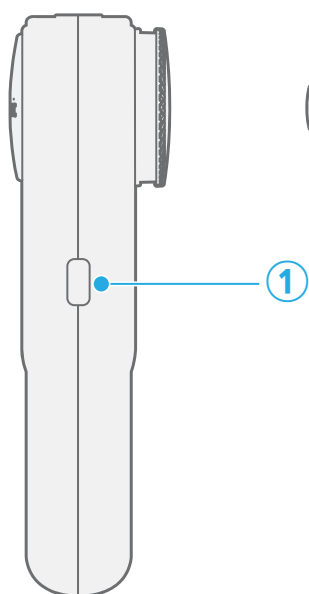
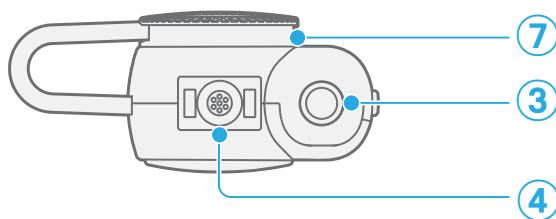
Cautions

1. Please do not dismantle the outer case.
2. Don't place this unit close to heat sources such as heater, oven, or other devices that produce heat.
3. Please do not replace the battery on your own.
4. Only use a soft, dry cloth to clean the product.
5. When using and storing, please pay attention to dust and moisture.

General Introduction

The BTW is a compact and portable wireless lavalier microphone. It features an omnidirectional microphone capsule, which delivers clear and intelligible sound. The BTW can work in tandem with third-party apps for audio/video recording. It is compatible with both iOS and Android devices. With an operating range of up to 80m, the BTW is ideal for content creation, live streaming, interviews, online class, etc.

Product Structure



① Power Button

Function	Operation
Power ON	Press and hold the button for 2 seconds
Power OFF	Press and hold the button for 3 seconds
Play/Pause	Short press the button (successfully connected)
Clear Pairing Records	Make sure the BTW is turned off. Then press and hold the button for 5 seconds.

② Status Indicator

Mode	Indicator
Unpaired (wait for pairing)	Blinks blue 3 times, then flashes blue and green alternately (If not connected within two minutes, the unit will enter standby mode.)
Standby Mode	Slow flashing green light
Power OFF	Green light blinks 3 times
Paired Successfully	Slow flashing blue light
Low Battery	Voice prompts "Low Battery" every two minutes
Charging	Solid green light
Fully Charged	Light up blue for 2s, then flashes green slowly

③ 3.5mm Headphone Jack

Connect the supplied single earbud for audio monitoring.

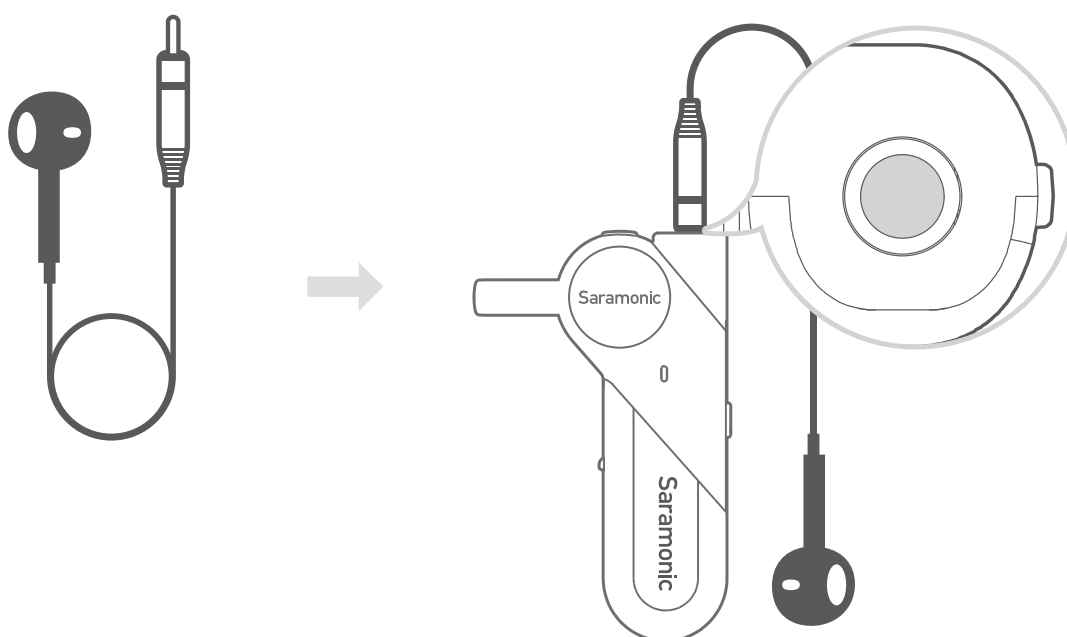
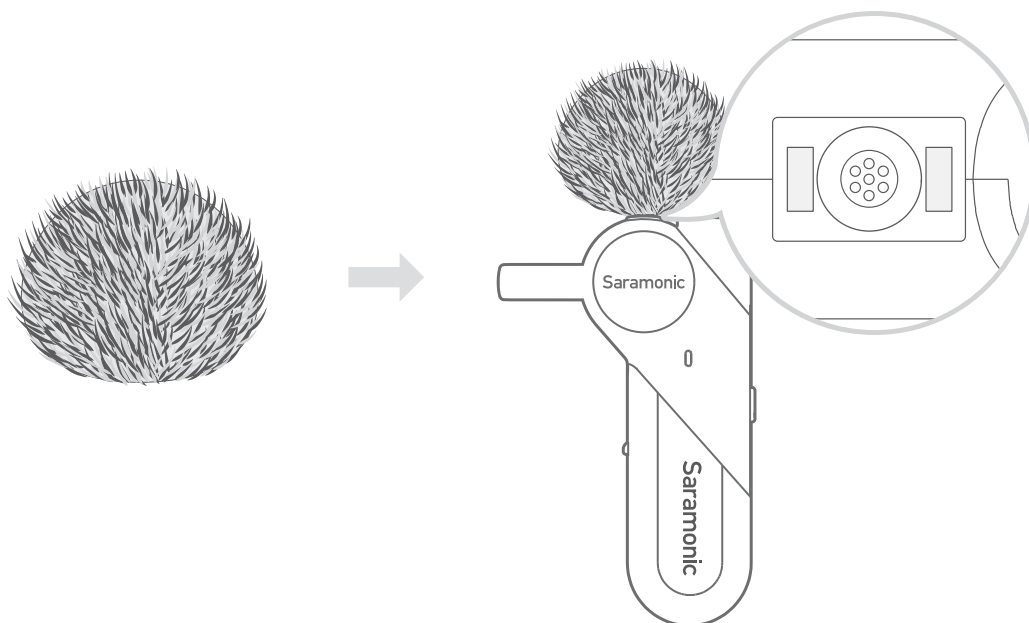
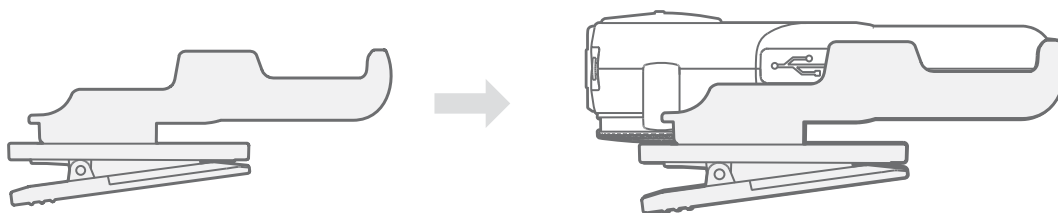
④ Built-in Microphone

⑤ USB Type-C Charging Port

⑥ Belt Clip (Detachable)

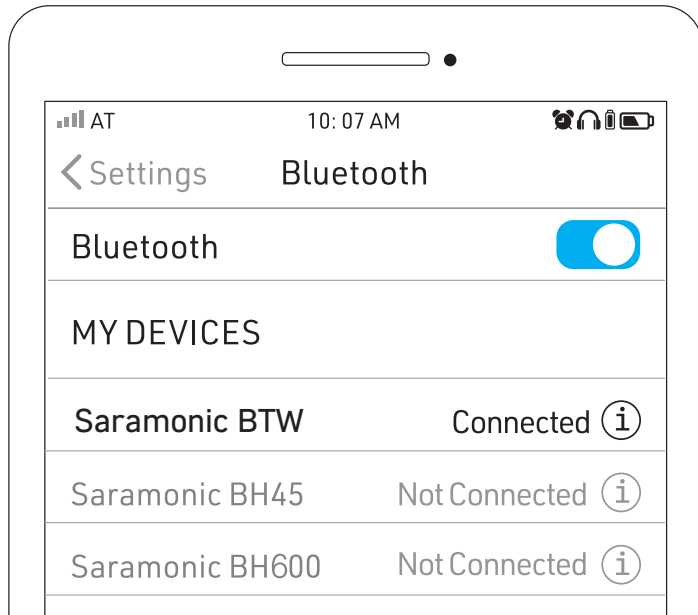
⑦ Magnetic Clip

Accessory Setup Guide



Operation Guide

1. Press and hold the power button for 2 seconds to turn on the BTW.
2. Pairing.



First time pairing:

- ① The BTW will enter pairing mode automatically after power on. The indicator flashes blue and green alternately.
- ② Turn on Bluetooth, then select "Saramonic BTW" on your device.
- ③ When connected successfully, the indicator flashes blue slowly.

Automatic connection:

Turn on the Bluetooth of the last device connected, and then turn on the BTW, the connection between the device and the BTW will be automatically established.

3. Open a third-party audio or video app and start recording.

For better recording experience, the application SmartRecorder is recommended.

Please scan the following QR code to download and install SmartRecorder.



SmartRecorder

Specifications

Transmission Type	2.4GHz wireless transmission
Modulation	GFSK
Operating Range	80m (line-of-sight)
RF Output Power	<10dBm
Polar Pattern	Omnidirectional
Maximum SPL	120dB SPL
Sensitivity	-42dB
Power Requirement	Built-in Li-ion Battery
Charging Port	USB Type-C
Battery Life	10 hours
Antenna	Built-in Antenna
Audio Connector	3.5mm headphone jack (stereo output) (also support TRRS microphone input)
Dimensions	67.6×42.6×18.4mm
Weight	24.5g
Operating Temperature	0°C to 50°C
Storage Temperature	-20°C to 55°C

Packing List

- 1×BTW Wireless Lavalier Microphone
- 1×USB-A to USB-C Charging Cable
- 1×Single Earbud
- 1×Fur Windshield
- 1×Belt Clip

声明

请在使用前仔细阅读本手册，并严格按照说明进行操作和存储。请妥善保存好说明书以供将来参考。如果用户手册不能帮助您解决某些问题，请向零售商寻求帮助或给我们发送电子邮件: info@saramonic.com。

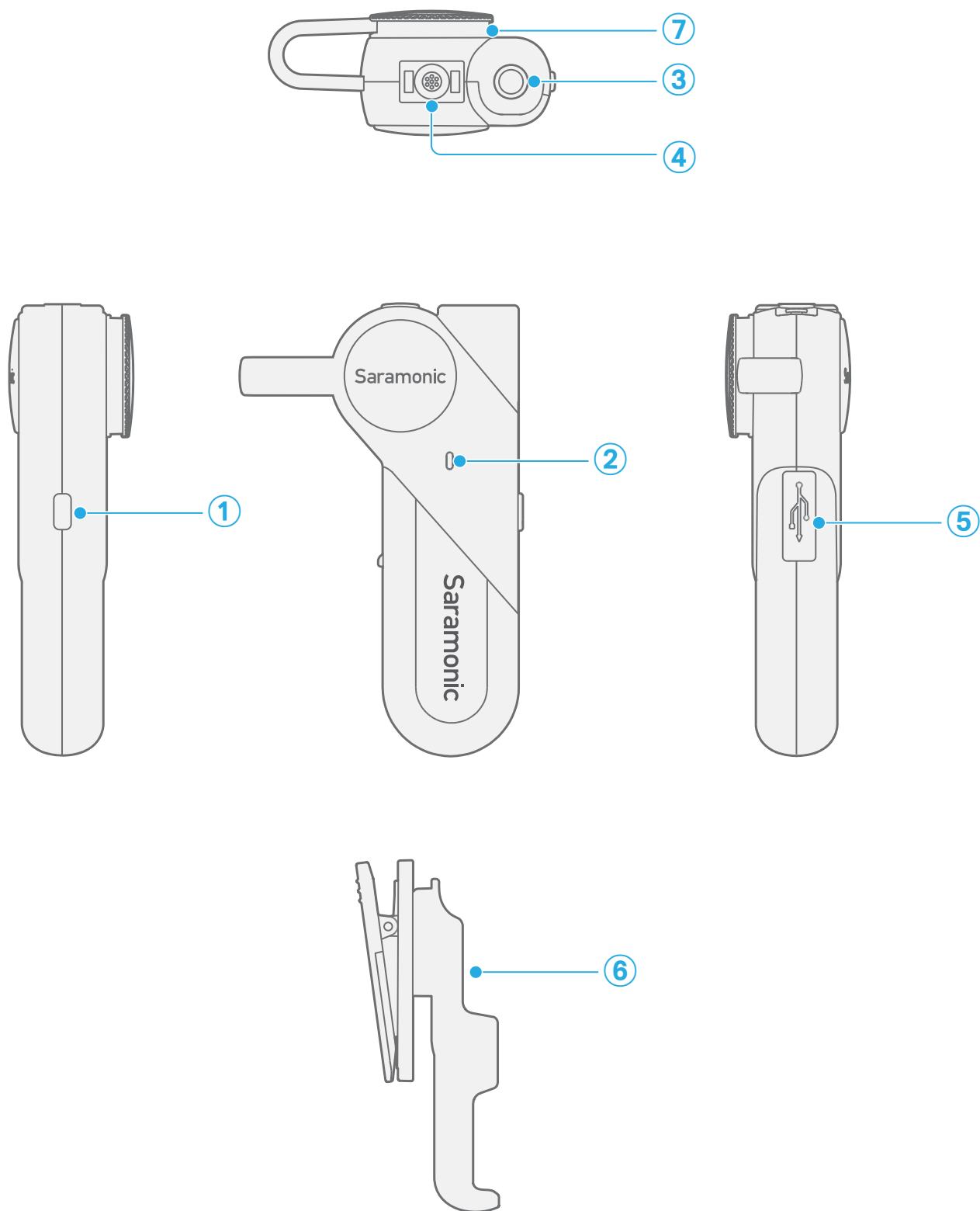
注意事项

- 1.请勿擅自拆开机壳；
- 2.请勿将本机靠近热源，如加热器、烤箱或其他产生热量的设备。
- 3.电池不可自行更换。
- 4.请使用柔软的干布清洁本设备。
- 5.在使用和储存时，请注意防尘和防潮。

概述

BTW是一款小巧便携的无线领夹式麦克风。产品选用全指向高保真咪头，音质清晰透澈。通过设备连接，与第三方APP搭配使用，进行高品质的录音/视频录制。产品兼容苹果和安卓设备。BTV的工作范围最远可达80m，是视频内容创作，网络直播，采访，在线教学等的理想选择。

产品结构



① 电源键

功能	操作
开机	长按电源键2秒
关机	长按电源键3秒
播放/暂停	短按电源键 (已连接状态下)
清除配对记录	在关机状态下，长按电源键5秒

② 状态指示灯

模式	指示灯
未联机状态 (等待配对)	蓝灯快闪3次后，蓝绿灯交替闪烁 (持续两分钟未配对，产品会自动进入待机状态)
待机状态	绿灯慢闪
关机	绿灯快闪3次
联机成功状态	蓝灯慢闪
低电量	低电提示音 (low battery)，每两分钟提醒一次
充电中	绿灯常亮
充满电	蓝灯常亮2分钟后，绿灯慢闪

③ 3.5mm插孔

监听孔，接入配套单耳耳机即可监听使用。

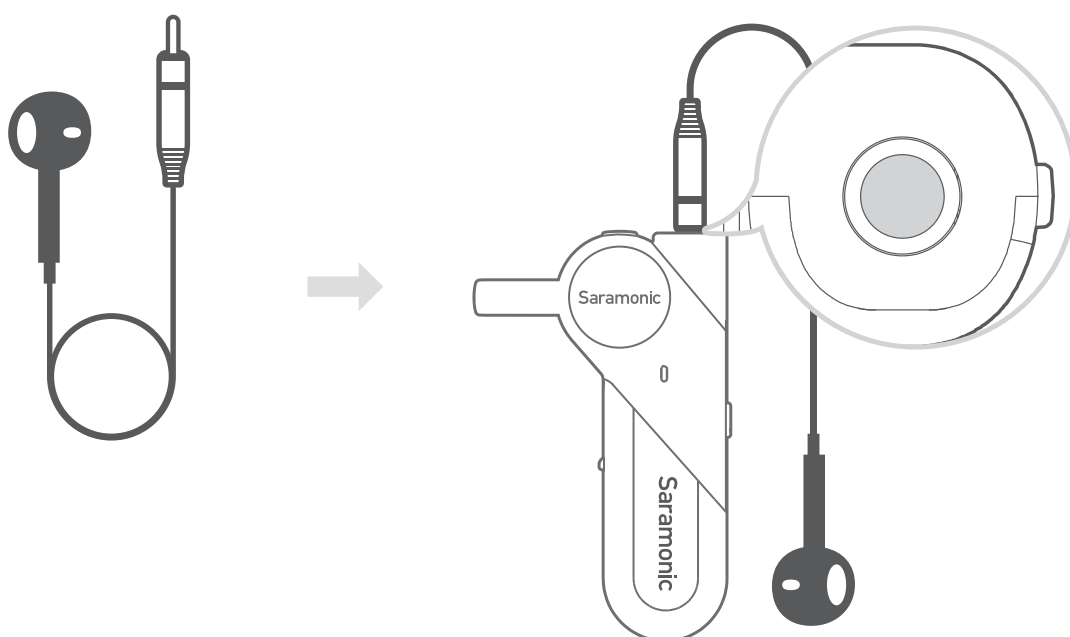
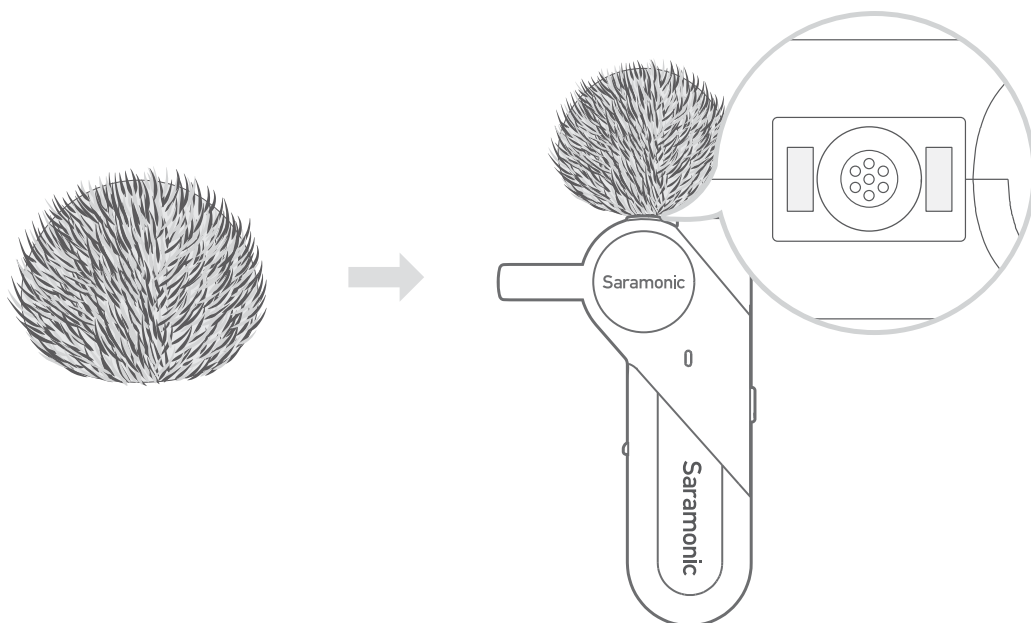
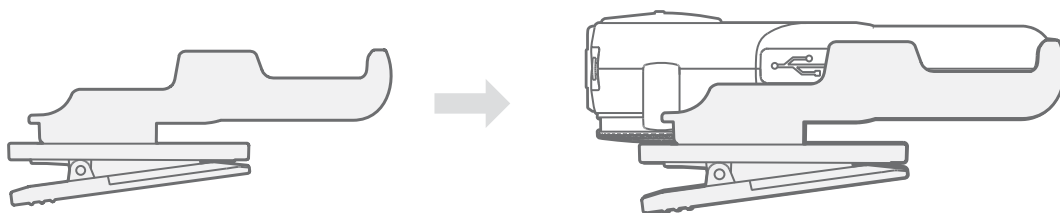
④ 内置麦克风

⑤ 充电孔 (标准Type-C接口)

⑥ 背夹 (可拆卸)

⑦ 磁吸领夹

配件安装指南



操作指南

1. 长按电源键2秒，将产品开机。

2. 配对

初次配对：

- ① BTW会在开机后自动进入配对模式，指示灯呈蓝绿灯交替闪；
- ② 打开手机蓝牙，找到“Saramonic BTW”并连接；



③ 连接成功，指示灯呈蓝灯慢闪。

自动回连：

BTW与设备有过连接记录的情况下，只需将手机蓝牙开启，长按电源键2秒将BTW开机，BTW会自动与上一次连接的设备进行配对。

3. BTW与手机连接成功后，打开第三方音频或视频APP即可开始录制。

为获得更好的录制体验，推荐使用枫笛自主研发的应用软件SmartRecorder。请扫描下方二维码下载并安装SmartRecorder。



SmartRecorder

参数

传输类型	2.4GHz无线传输
调制方式	高斯频移键控
工作距离	80米(视距)
射频输出功率	<10dBm
拾音模式	全向型
麦克风最大声压级	120dB SPL
麦克风灵敏度	-42dB
供电方式	内置锂电池
充电接口	USB Type-C
续航	10小时
天线	内置天线
音频接口	3.5mm耳机插孔, 立体声输出 (支持TRRS接口外置麦克风输入)
尺寸	67.6×42.6×18.4mm
重量	24.5g
工作温度	0°C ~ 50°C
储存温度	-20°C ~ 55°C

包装清单

BTW无线领夹式麦克风×1
USB-C充电线×1
单边耳机×1
防风毛套×1
背夹×1



For better mobile recording experience, the application **SmartRecorder** is recommended.
为获得更好的录制体验，推荐使用枫笛 Saramonic
自主研发应用软件 **SmartRecorder**。



Scan the QR code and follow us!
扫描微信关注枫笛公众号!

Shenzhen Jiayz Photo Industrial., Ltd
深圳市长丰影像器材有限公司

A16 Building, Intelligent Terminal Industrial Park of Silicon Valley
Power, Guanlan, Longhua District, Shenzhen, China
深圳市龙华区观澜街道大富工业区硅谷动力智能终端产业园A16栋

☎ 400-613-1096 🌐 www.saramonic.com ✉ info@saramonic.com

FCC Statement

This equipment has been tested and found to comply with the limits for a Class B digital device, pursuant to part 15 of the FCC Rules. These limits are designed to provide reasonable protection against harmful interference in a residential installation. This equipment generates, uses and can radiate radio frequency energy and, if not installed and used in accordance with the instructions, may cause harmful interference to radio communications. However, there is no guarantee that interference will not occur in a particular installation. If this equipment does cause harmful interference to radio or television reception, which can be determined by turning the equipment off and on, the user is encouraged to try to correct the interference by one or more of the following measures:

- Reorient or relocate the receiving antenna.
- Increase the separation between the equipment and receiver.
- Connect the equipment into an outlet on a circuit different from that to which the receiver is connected.
- Consult the dealer or an experienced radio/TV technician for help.

Caution: Any changes or modifications to this device not explicitly approved by manufacturer could void your authority to operate this equipment.

This device complies with part 15 of the FCC Rules. Operation is subject to the following two conditions: (1) This device may not cause harmful interference, and (2) this device must accept any interference received, including interference that may cause undesired operation.

RF Exposure Information

The device has been evaluated to meet general RF exposure requirement. This equipment should be installed and operated with minimum distance 0mm between the radiator & your body.

ISED Statement

English: This device contains licence-exempt transmitter(s)/receiver(s) that comply with Innovation, Science and Economic Development Canada's licence-exempt RSS(s). Operation is subject to the following two conditions:

- (1) This device may not cause interference.
- (2) This device must accept any interference, including interference that may cause undesired operation of the device.

The digital apparatus complies with Canadian CAN ICES-3 (B)/NMB-3(B).

French: Cet appareil contient des émetteurs/récepteurs exempts de licence qui sont conformes aux RSS exemptés de licence d'Innovation, Sciences et Développement économique Canada.

L'exploitation est soumise aux deux conditions suivantes :

- (1) Cet appareil ne doit pas provoquer d'interférences.
- (2) Cet appareil doit accepter toute interférence, y compris les interférences susceptibles de provoquer un fonctionnement indésirable de l'appareil.

l'appareil numérique du ciem conforme canadien peut - 3 (b) / nmb - 3 (b).

This device meets the exemption from the routine evaluation limits in section 2.5 of RSS 102 and compliance with RSS 102 RF exposure, users can obtain Canadian information on RF exposure and compliance.

cet appareil est conforme à l'exemption des limites d'évaluation courante dans la section 2.5 du cnr - 102 et conformité avec rss 102 de l'exposition aux rf, les utilisateurs peuvent obtenir des données canadiennes sur l'exposition aux champs rf et la conformité.

This equipment complies with Canada radiation exposure limits set forth for an uncontrolled environment.

Cet équipement est conforme aux limites d'exposition aux rayonnements du Canada établies pour un environnement non contrôlé.

RF Exposure Statement

The device has been evaluated to meet general RF exposure requirement. This equipment should be installed and operated with minimum distance 0mm between the radiator & your body.

L'appareil a été évalué pour répondre aux exigences générales d'exposition aux RF. Cet équipement doit être installé et utilisé avec une distance minimale de 0 mm entre le radiateur et votre corps.

JIAYZ长丰 | 深圳市长丰影像器材有限公司

产品/零件名称	BTW说明书	比例	1:1	版本	V01
工程图号	BTW说明书	物料描述	105g铜版纸 过油 骑马钉 P16		
物料编号	1F0300400170	尺寸/用量	80x110mm 1PCS		
是否需要承认书	是	正负公差	2mm		
制图人/日期	杨帆/2021.10.09				

修改名称	版本	变更内容	变更日期	变更担当
	V01	首次发行	2021.10.09	杨帆