

Model Name: BOYALINK-TX

Frequency: (2402~2480MHz)

Manufacture: Shenzhen Jiayz photo industrial ., Ltd

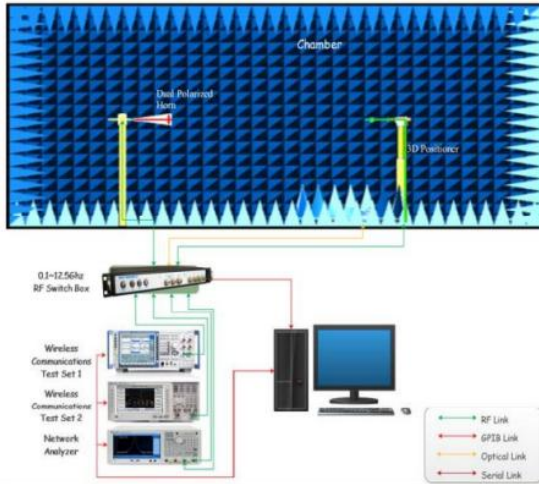
Address: A16 Building, Intelligent Terminal Industrial Park of Silicon Valley Power, Guanlan, Longhua District, Shenzhen, China

Antenna matching report

DIRECTORY	
NO	PROJECT
1	Test equipment and conditions
2	Match parameters
3	Antenna S parameter
4	Passive data

Antenna matching report

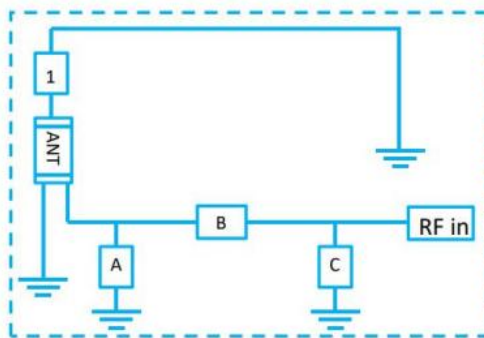
1. Test equipment and conditions



QUIPMENT	BRAND	MODULE
Network analyzer	Agilent	E5071C
Signal Generator	ROHDE&SCHWARZ	CMW-500
Switch	广屏	SW-2
微波暗室	广屏	OTA-533

Antenna matching report

2. Match parameters



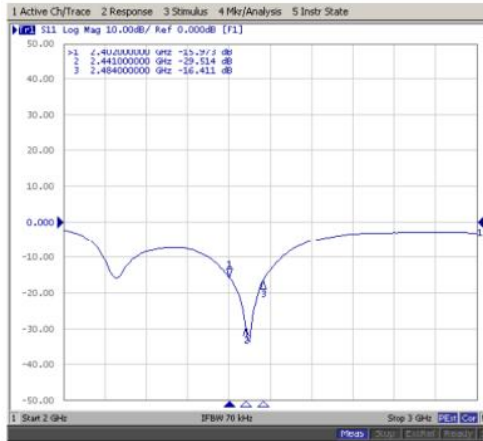
3216 Chip Antenna

NO	Product	Description
1	Capacitor	0402 1.2pF+0.1pF
A	NC	
B	Resistor	0402 0R ±5%
C	Capacitor	0402 1.2pF+0.1pF

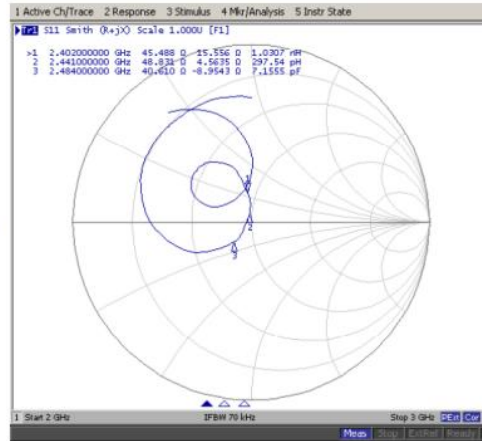
Antenna matching report

3. Antenna S parameter

Return Loss

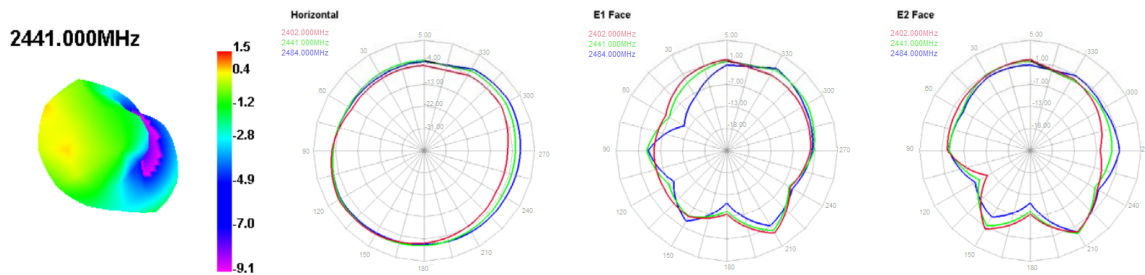


Smith (R-jx)



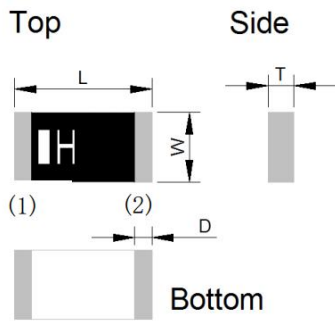
Antenna matching report

4. Passive data



Frequency	Efficiency (%)	Efficiency (db)	Gain
2402 (MHz)	50.52	-2.97	1.05
2441 (MHz)	54.49	-2.64	1.48
2484 (MHz)	55.06	-2.59	1.27

Dimension and Terminal Configuration



Dimension (mm)	
L	3.20+0.15
W	1.60+0.15
T	0.60+0.10
D	0.50+0.15

No.	Terminal Name
1	Feeding
2	Ground

