

Model Name: BOYALINK-RX

Frequency: (2402~2480MHz)

Manufacture: Shenzhen Jiayz photo industrial ., Ltd

Address: A16 Building, Intelligent Terminal Industrial Park of Silicon Valley Power,  
Guanlan, Longhua District, Shenzhen, China

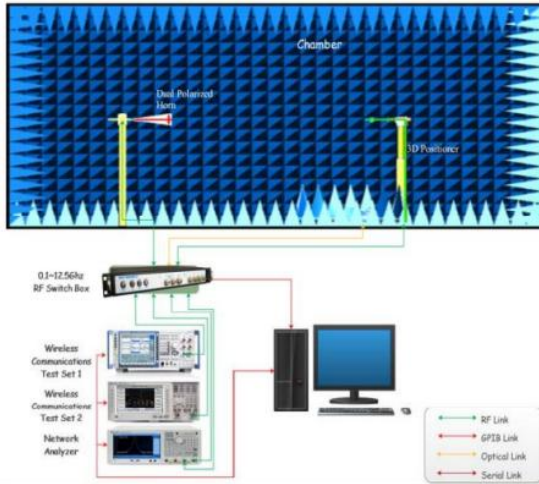
## Antenna matching report

DIRECTORY	
NO	PROJECT
1	Test equipment and conditions
2	Match parameters
3	Antenna S parameter
4	Passive data

---

# Antenna matching report

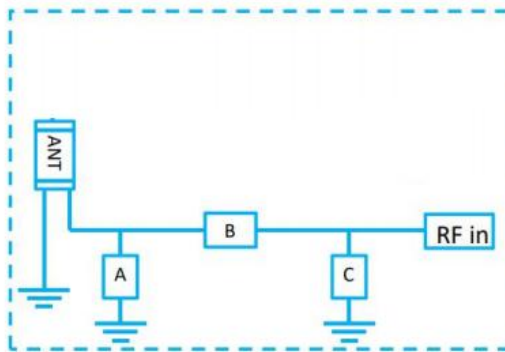
## 1. Test equipment and conditions



QUIPMENT	BRAND	MODULE
Network analyzer	Agilent	E5071C
Signal Generator	ROHDE&SCHWARZ	CMW-500
Switch	广屏	SW-2
微波暗室	广屏	OTA-533

# Antenna matching report

## 2. Match parameters

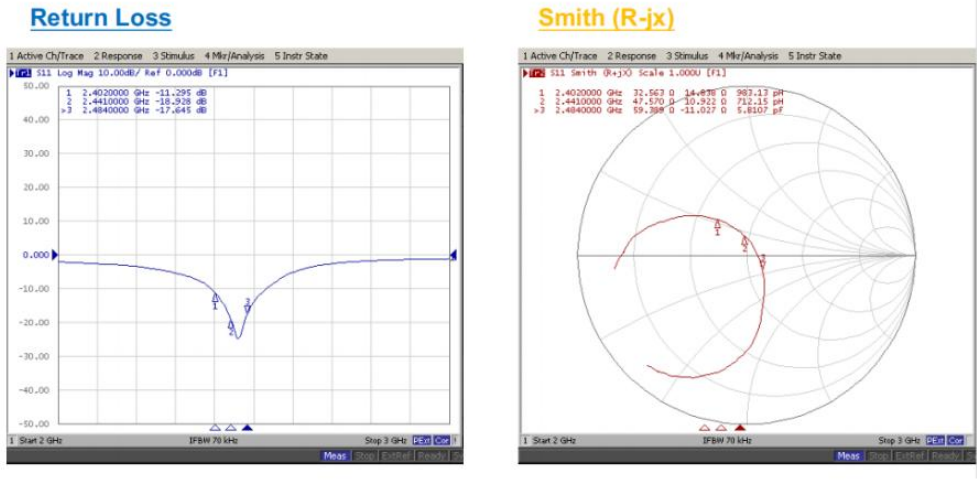


Chip Antenna

NO	Product	Description
A	NC	
B	Resistor	0402 0R ±5%
C	NC	

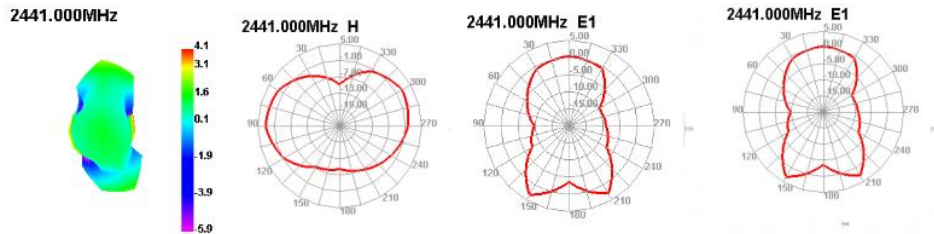
# Antenna matching report

## 3. Antenna S parameter



# Antenna matching report

## 4. Passive data



Frequency	Efficiency (%)	Efficiency (db)	Gain
2402 (MHz)	69.84	-1.34	3.65
2441 (MHz)	78.71	-1.04	4.11
2484 (MHz)	73.1	-1.36	3.41

