

Model Name: Omic RXU

Frequency: (2402~2480MHz)

Manufacture: Shenzhen Jiayz photo industrial ., Ltd

Address: A16 Building, Intelligent Terminal Industrial Park of Silicon Valley Power, Guanlan, Longhua District, Shenzhen, China

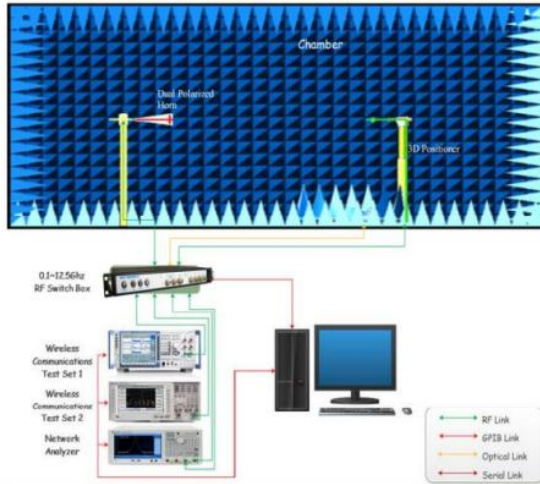
## Antenna matching report

DIRECTORY	
NO	PROJECT
1	Test equipment and conditions
2	Match parameters
3	Antenna S parameter
4	Passive data

---

# Antenna matching report

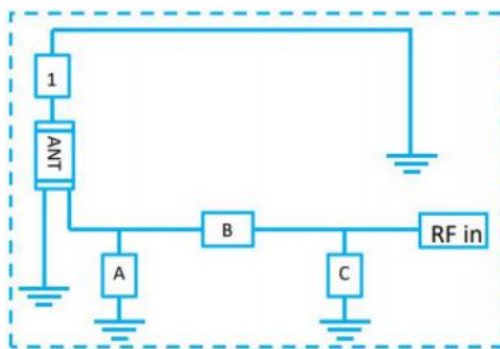
## 1. Test equipment and conditions



QUIPMENT	BRAND	MODULE
Network analyzer	Agilent	E5071C
Signal Generator	ROHDE&SCHWARZ	CMW-500
Switch	广屏	SW-2
微波暗室	广屏	OTA-533

# Antenna matching report

## 2. Match parameters



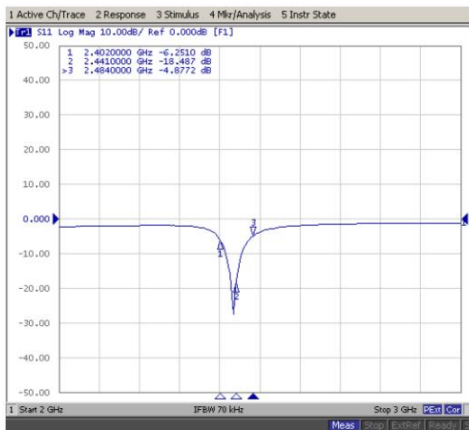
3216 Chip Antenna

NO	Product	Description
1	Capacitor	0402 1.8pF ± 0.1pF 50V
A	NC	NC
B	Capacitor	0402 0.5pF ± 0.1pF 50V
C	Capacitor	0402 0.5pF ± 0.1pF 50V

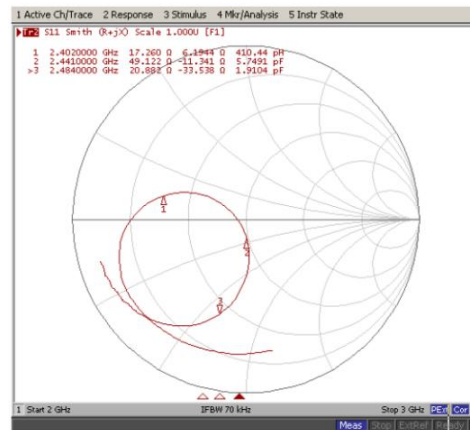
# Antenna matching report

## 3. Antenna S parameter

### Return Loss

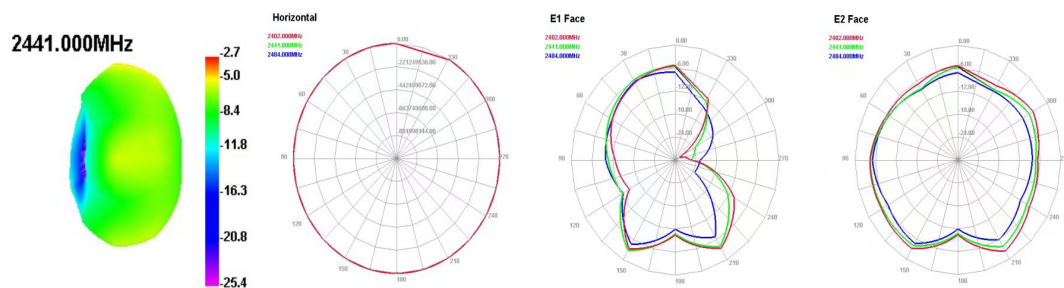


### Smith (R-jx)



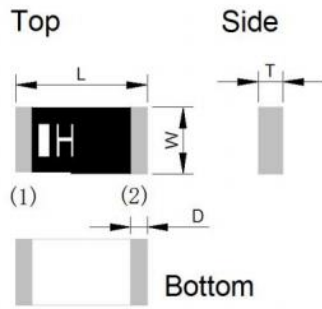
# Antenna matching report

## 4. Passive data



Frequency	Efficiency (%)	Efficiency (db)	Gain
2402 (MHz)	27.84	-5.34	-1.76
2441 (MHz)	39.71	-3.04	-0.25
2484 (MHz)	23.1	-5.78	-2.21

### Dimension and Terminal Configuration



Dimension (mm)	
L	$3.20 \pm 0.15$
W	$1.60 \pm 0.15$
T	$0.60 \pm 0.10$
D	$0.50 \pm 0.15$

No.	Terminal Name
1	Feeding
2	Ground

