



TEST REPORT

Report Reference No...... : **TRE1810022907** R/C.....:77033
FCC ID..... : **2ARN2-8BIZ18**
Applicant's name..... : **Bizringer Inc**
 Address..... : 1221 E. Dyer Road Suite 250,Sant Ana. CA92705, USA
 Manufacturer..... : Bizringer Inc
 Address..... : 1221 E. Dyer Road Suite 250, Sant Ana. CA92705, USA
Test item description : **Tablet PC**
 Trade Mark : Bizringer
 Model/Type reference..... : 8BIZ18
 Listed Model(s) : -
Standard : **47 CFR FCC Part 15 Subpart B**
 Date of receipt of test sample..... : Oct 26,2018
 Date of testing..... : Oct 29,2018- Nov 14,2018
 Date of issue..... : Nov 15,2018
Result..... : **Pass**

Compiled by (position+printed name+signature)...	File administrators Silvia Li	<i>Silvia Li</i>
Supervised by (position+printed name+signature)...	Project Engineer Aaron Fang	<i>Aaron.Fang</i>
Approved by (position+printed name+signature)...	RF Manager Hans Hu	<i>Hans Hu</i>

Testing Laboratory Name : **Shenzhen Huatongwei International Inspection Co., Ltd.**
 Address..... : 1/F, Bldg 3, Hongfa Hi-tech Industrial Park, Genyu Road, Tianliao, Gongming, Shenzhen, China

Shenzhen Huatongwei International Inspection Co., Ltd. All rights reserved.

This publication may be reproduced in whole or in part for non-commercial purposes as long as the Shenzhen Huatongwei International Inspection Co., Ltd. is acknowledged as copyright owner and source of the material. Shenzhen Huatongwei International Inspection Co., Ltd. takes no responsibility for and will not assume liability for damages resulting from the reader's interpretation of the reproduced material due to its placement and context.

The test report merely corresponds to the test sample.

Contents

1.	<u>TEST STANDARDS AND REPORT VERSION</u>	<u>3</u>
1.1.	Test Standards	3
1.2.	Report version information	3
2.	<u>TEST DESCRIPTION</u>	<u>4</u>
3.	<u>SUMMARY.....</u>	<u>5</u>
3.1.	Client Information	5
3.2.	Product Description	5
3.3.	EUT operation mode	5
3.4.	Support unit used in test configuration	6
4.	<u>TEST ENVIRONMENT</u>	<u>7</u>
4.1.	Address of the test laboratory	7
4.2.	Test Facility	7
4.3.	Environmental conditions	8
4.4.	Statement of the measurement uncertainty	8
4.5.	Equipments Used during the Test	9
5.	<u>TEST CONDITIONS AND RESULTS</u>	<u>10</u>
5.1.	Conducted Emissions Test	10
5.2.	Radiated Emissions Test	13
6.	<u>TEST SETUP PHOTOS OF THE EUT</u>	<u>17</u>
7.	<u>EXTERNAL AND INTERNAL PHOTOS OF THE EUT</u>	<u>18</u>

1. TEST STANDARDS AND REPORT VERSION

1.1. Test Standards

The tests were performed according to following standards:

[47 CFR FCC Part 15 Subpart B](#) - Unintentional Radiators

[ANSI C63.4: 2014](#) – American National Standard for Methods of Measurement of Radio-Noise Emissions from Low-Voltage Electrical and Electronic Equipment in the Range of 9 kHz to 40GHz

1.2. Report version information

Revision No.	Date of issue	Description
N/A	2018-11-15	Original

2. TEST DESCRIPTION

Test Item	Section in CFR 47	Result	Test Engineer
Conducted Emissions	15.107(a)	Pass	Tony Duan
Radiated Emissions	15.109(a)	Pass	Michael Jie

Note: The measurement uncertainty is not included in the test result.

3. SUMMARY

3.1. Client Information

Applicant:	Bizringer Inc
Address:	1221 E. Dyer Road Suite 250, Sant Ana. CA92705, USA
Manufacturer:	Bizringer Inc
Address:	1221 E. Dyer Road Suite 250, Sant Ana. CA92705, USA

3.2. Product Description

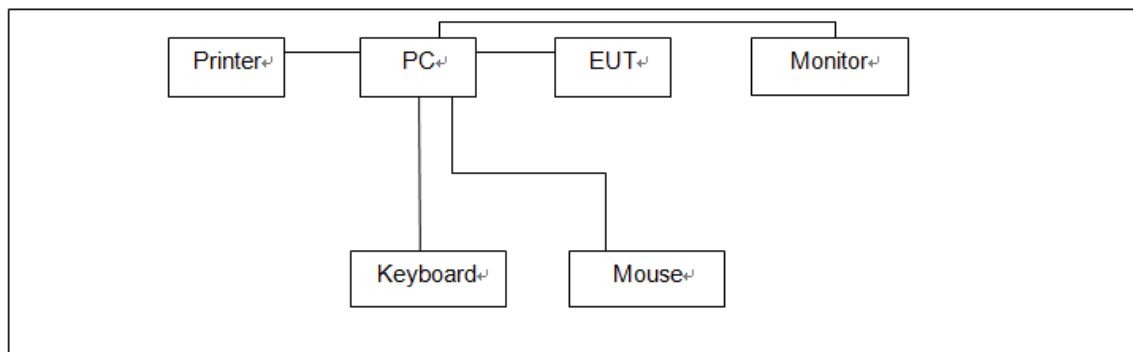
Name of EUT:	Tablet PC
Trade Mark:	Bizringer
Model No.:	8BIZ18
Listed Model(s)	-
Power supply:	DC 3.7V
Adapter information:	Model:K-T100502000U Input:100-240Va.c. 50/60Hz 0.35A Output:5.0Vd.c. 2000mA

3.3. EUT operation mode

Test mode	Describe
Camera recording mode	Keep the EUT in Camera recording status
Video Playing mode	Keep the EUT in Video Playing status
Data exchange mode	Keep the EUT in Data exchange with PC status
Video Playing mode with car charger	Keep the EUT in Video Playing status

Pre-scan all of above modes. Only show data exchange mode for radiated emission, and camera recording mode for conducted emission, which is the worst case on the report.

Configuration of Tested System



3.4. Support unit used in test configuration

Item	Equipment	Manufacturer	Model No.	FCC ID / FCC DoC	Data Cable	Power Cord
1	PC	DELL	OptiPlex 3020 MT	FCC DoC	N/A	Unshielded 1.8m
2	Monitor	DELL	E1912Hf	FCC DoC	N/A	Unshielded 1.8m
3	Keyboard	DELL	SK8115	FCC DoC	Unshielded, 1.5m	N/A
4	Mouse	DELL	MS111-T	FCC DoC	Unshielded, 1.5m	N/A
5	Printer	EPSON	L101	FCC DoC	N/A	Unshielded 1.8m

4. TEST ENVIRONMENT

4.1. Address of the test laboratory

Laboratory: Shenzhen Huatongwei International Inspection Co., Ltd.

Address: 1/F, Bldg 3, Hongfa Hi-tech Industrial Park, Genyu Road, Tianliao, Gongming, Shenzhen, China

Phone: 86-755-26748019 Fax: 86-755-26748089

4.2. Test Facility

The test facility is recognized, certified, or accredited by the following organizations:

CNAS-Lab Code: L1225

Shenzhen Huatongwei International Inspection Co., Ltd. has been assessed and proved to be in compliance with CNAS-CL01 Accreditation Criteria for Testing and Calibration Laboratories (identical to ISO/IEC17025: 2005 General Requirements) for the Competence of Testing and Calibration Laboratories.

A2LA-Lab Cert. No. 3902.01

Shenzhen Huatongwei International Inspection Co., Ltd. EMC Laboratory has been accredited by A2LA for technical competence in the field of electrical testing, and proved to be in compliance with ISO/IEC 17025: 2005 General Requirements for the Competence of Testing and Calibration Laboratories and any additional program requirements in the identified field of testing.

FCC-Registration No.: 762235

Shenzhen Huatongwei International Inspection Co., Ltd. EMC Laboratory has been registered and fully described in a report filed with the FCC (Federal Communications Commission). The acceptance letter from the FCC is maintained in our files. Registration 762235.

IC-Registration No.: 5377B-1

Two 3m Alternate Test Site of Shenzhen Huatongwei International Inspection Co., Ltd. has been registered by Certification and Engineering Bureau of Industry Canada for the performance of radiated measurements with Registration No. 5377B-1.

ACA

Shenzhen Huatongwei International Inspection Co., Ltd. EMC Laboratory can also perform testing for the Australian C-Tick mark as a result of our A2LA accreditation.

4.3. Environmental conditions

During the measurement the environmental conditions were within the listed ranges:

Temperature:	15~35°C
Relative Humidity:	30~60 %
Air Pressure:	950~1050mba

4.4. Statement of the measurement uncertainty

The data and results referenced in this document are true and accurate. The reader is cautioned that there may be errors within the calibration limits of the equipment and facilities. The measurement uncertainty was calculated for all measurements listed in this test report acc. to CISPR 16 - 4 „Specification for radio disturbance and immunity measuring apparatus and methods – Part 4: Uncertainty in EMC Measurements“ and is documented in the Shenzhen Huatongwei International Inspection Co., Ltd quality system acc. to DIN EN ISO/IEC 17025. Furthermore, component and process variability of devices similar to that tested may result in additional deviation. The manufacturer has the sole responsibility of continued compliance of the device.

Hereafter the best measurement capability for Shenzhen Huatongwei laboratory is reported:

Test	Range	Measurement Uncertainty	Notes
Radiated Emissions	30~1000MHz	4.28 dB	(1)
Radiated Emissions	1~18GHz	5.16 dB	(1)
Conducted Disturbance	0.15~30MHz	3.35 dB	(1)

(1) This uncertainty represents an expanded uncertainty expressed at approximately the 95% confidence level using a coverage factor of k=2.

4.5. Equipments Used during the Test

Conducted Emissions						
Item	Test Equipment	Manufacturer	Model No.	Serial No.	Last Cal. (mm-dd-yy)	Next Cal. (mm-dd-yy)
1	EMI Test Receiver	R&S	ESCI	101247	10/27/2018	10/26/2019
2	Artificial Mains	SCHWARZBECK	NNLK 8121	573	10/27/2018	10/26/2019
3	2-Line V- Network	R&S	ESH3-Z5	100049	10/27/2018	10/26/2019
4	Pulse Limiter	R&S	ESH3-Z2	101488	10/27/2018	10/26/2019
5	RF Connection Cable	HUBER+SUHNER	EF400	N/A	11/14/2017	11/13/2019
6	Test Software	R&S	ES-K1	N/A	N/A	N/A

Radiated Emissions						
Item	Test Equipment	Manufacturer	Model No.	Serial No.	Last Cal. (mm-dd-yy)	Next Cal. (mm-dd-yy)
1	Semi- Anechoic Chamber	Albatross projects	SAC-3m-01	C11121	10/16/2016	10/15/2019
2	EMI Test Receiver	R&S	ESCI	100900	10/28/2018	10/27/2019
3	Loop Antenna	R&S	HFH2-Z2	100020	11/20/2017	11/19/2020
4	Ultra- Broadband Antenna	SCHWARZBECK	VULB9163	538	4/5/2017	4/4/2020
5	Horn Antenna	SCHWARZBECK	9120D	1011	3/27/2017	3/26/2020
6	Broadband Horn Antenna	SCHWARZBECK	BBHA9170	BBHA9170 472	3/27/2017	3/26/2020
7	Pre-amplifier	SCHWARZBECK	BBV 9743	9743-0022	10/17/2018	10/16/2019
8	Broadband Pre-amplifier	SCHWARZBECK	BBV 9718	9718-248	4/28/2018	4/28/2019
9	Spectrum Analyzer	R&S	FSP40	100597	10/27/2018	10/26/2019
10	RF Connection Cable	HUBER+SUHNER	RE-7-FL	N/A	11/21/2017	11/20/2018
11	RF Connection Cable	HUBER+SUHNER	RE-7-FH	N/A	11/21/2017	11/20/2018
12	Test Software	Audix	E3	N/A	N/A	N/A
13	Test Software	R&S	ES-K1	N/A	N/A	N/A
14	Turntable	Maturo Germany	TT2.0-1T	N/A	N/A	N/A
15	Antenna Mast	Maturo Germany	CAM-4.0-P-12	N/A	N/A	N/A

5. TEST CONDITIONS AND RESULTS

5.1. Conducted Emissions Test

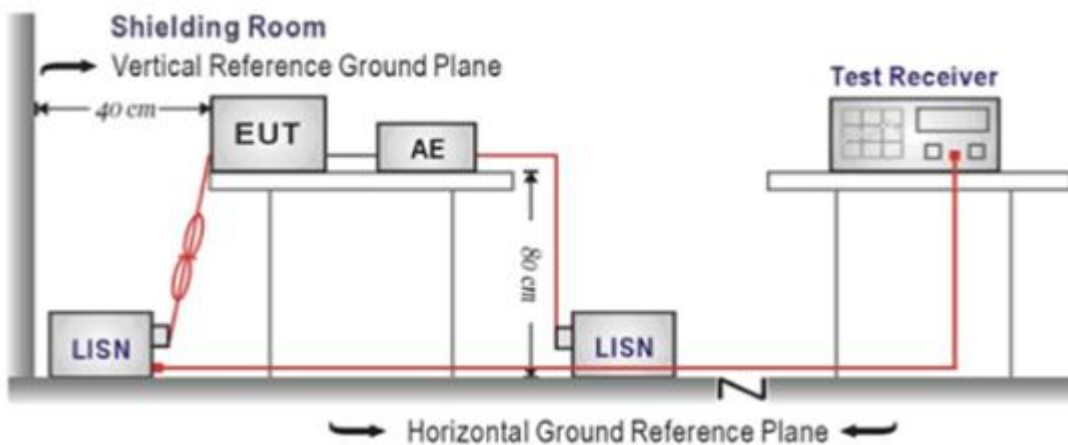
LIMIT

FCC CFR Title 47 Part 15 Subpart B Section 15.107:

Frequency range (MHz)	Limit (dBuV)	
	Quasi-peak	Average
0.15-0.5	66 to 56*	56 to 46*
0.5-5	56	46
5-30	60	50

* Decreases with the logarithm of the frequency.

TEST CONFIGURATION



TEST PROCEDURE

1. The EUT was setup according to ANSI C63.4:2014
2. The EUT was placed on a platform of nominal size, 1 m by 1.5 m, raised 10 cm above the conducting ground plane. The vertical conducting plane was located 40 cm to the rear of the EUT. All other surfaces of EUT were at least 10 cm from any other grounded conducting surface.
3. The EUT and simulators are connected to the main power through a line impedance stabilization network (LISN). The LISN provides a 50ohm / 50uH coupling impedance for the measuring equipment.
4. The peripheral devices are also connected to the main power through a LISN. (Please refer to the block diagram of the test setup and photographs)
5. Each current-carrying conductor of the EUT power cord, except the ground (safety) conductor, was individually connected through a LISN to the input power source.
6. The excess length of the power cord between the EUT and the LISN receptacle were folded back and forth at the center of the lead to form a bundle not exceeding 40 cm in length.
7. Conducted emissions were investigated over the frequency range from 0.15MHz to 30MHz using a receiver bandwidth of 9 kHz.
8. During the above scans, the emissions were maximized by cable manipulation.

TEST MODE:

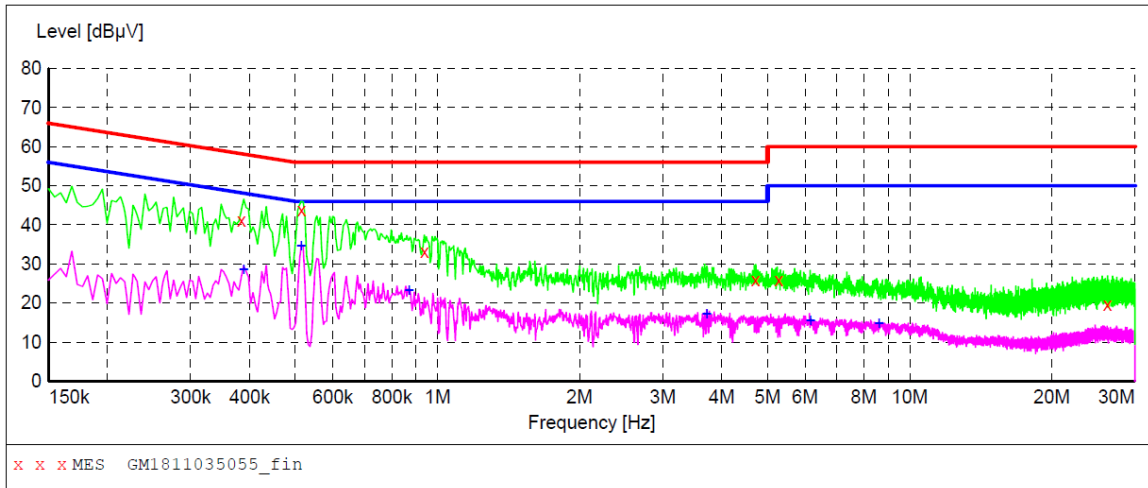
Please refer to the clause 3.3

TEST RESULTS

Passed Not Applicable

Test Line:

L



MEASUREMENT RESULT: "GM1811035055_fin"

11/3/2018 4:16PM

Frequency MHz	Level dBµV	Transd dB	Limit dBµV	Margin dB	Detector	Line	PE
0.384000	41.10	10.1	58	17.1	QP	L1	GND
0.514500	43.70	10.0	56	12.3	QP	L1	GND
0.937500	33.20	9.9	56	22.8	QP	L1	GND
4.708500	25.90	10.0	56	30.1	QP	L1	GND
5.275500	26.00	10.0	60	34.0	QP	L1	GND
26.214000	19.70	10.5	60	40.3	QP	L1	GND

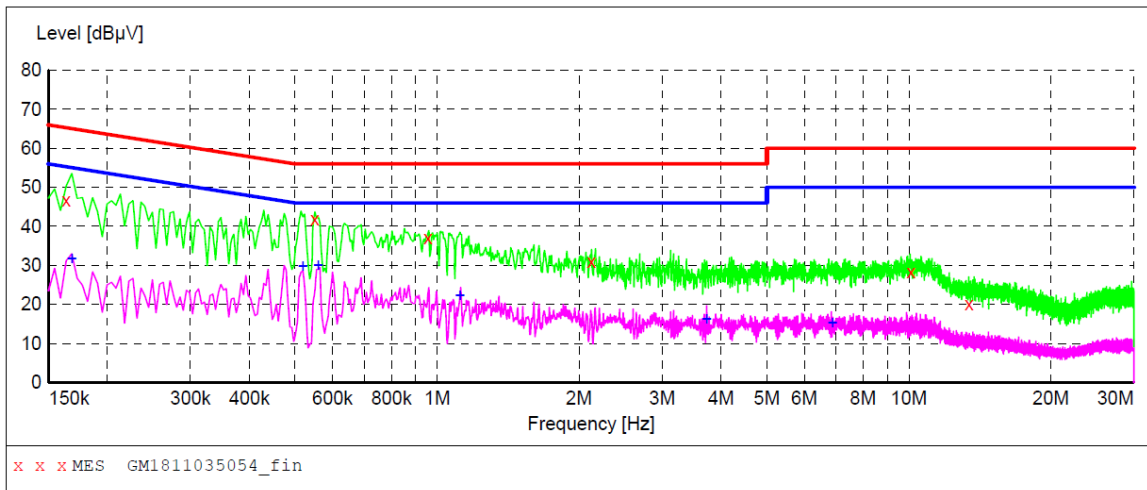
MEASUREMENT RESULT: "GM1811035055_fin2"

11/3/2018 4:16PM

Frequency MHz	Level dBµV	Transd dB	Limit dBµV	Margin dB	Detector	Line	PE
0.388500	28.50	10.1	48	19.6	AV	L1	GND
0.514500	34.70	10.0	46	11.3	AV	L1	GND
0.870000	23.20	9.9	46	22.8	AV	L1	GND
3.714000	17.10	10.0	46	28.9	AV	L1	GND
6.162000	15.60	10.0	50	34.4	AV	L1	GND
8.601000	14.70	10.2	50	35.3	AV	L1	GND

Test Line:

N



MEASUREMENT RESULT: "GM1811035054_fin"

11/3/2018 4:12PM

Frequency MHz	Level dBµV	Transd dB	Limit dBµV	Margin dB	Detector	Line	PE
0.163500	46.60	10.1	65	18.7	QP	N	GND
0.550500	41.80	10.0	56	14.2	QP	N	GND
0.955500	37.10	9.9	56	18.9	QP	N	GND
2.121000	31.10	10.0	56	24.9	QP	N	GND
10.090500	28.20	10.2	60	31.8	QP	N	GND
13.416000	20.00	10.2	60	40.0	QP	N	GND

MEASUREMENT RESULT: "GM1811035054_fin2"

11/3/2018 4:12PM

Frequency MHz	Level dBµV	Transd dB	Limit dBµV	Margin dB	Detector	Line	PE
0.168000	31.70	10.1	55	23.4	AV	N	GND
0.519000	29.70	10.0	46	16.3	AV	N	GND
0.559500	30.10	10.0	46	15.9	AV	N	GND
1.117500	22.30	10.0	46	23.7	AV	N	GND
3.727500	16.20	10.0	46	29.8	AV	N	GND
6.886500	15.20	10.0	50	34.8	AV	N	GND

5.2. Radiated Emissions Test

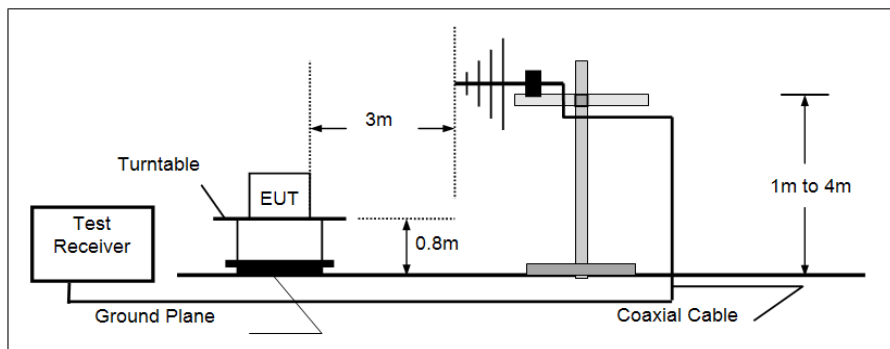
LIMIT

FCC CFR Title 47 Part 15 Subpart B Section 15.109

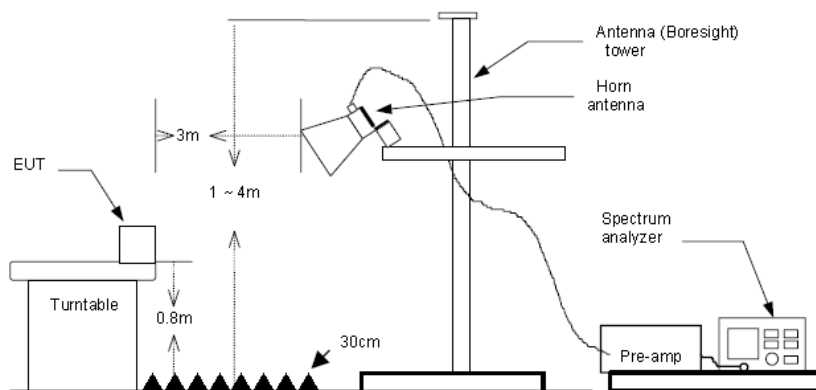
Frequency	Limit (dBuV/m @3m)	Value
30MHz-88MHz	40.00	Quasi-peak
88MHz-216MHz	43.50	Quasi-peak
216MHz-960MHz	46.00	Quasi-peak
960MHz-1GHz	54.00	Quasi-peak
Above 1GHz	54.00	Average
	74.00	Peak

TEST CONFIGURATION

➤ 30MHz ~ 1GHz



➤ Above 1GHz



TEST PROCEDURE

1. The EUT was tested according to ANSI C63.4:2014.
2. The EUT is placed on a turn table which is 0.8 meter above ground.
3. The turn table is rotated 360 degrees to determine the position of the maximum emission level.
4. The EUT was positioned such that the distance from antenna to the EUT was 3 meters.
5. The antenna is scanned from 1 meter to 4 meters to find out the maximum emission level. This is repeated for both horizontal and vertical polarization of the antenna.
6. Use the following spectrum analyzer settings
 - (1) Span shall wide enough to fully capture the emission being measured;
 - (2) Below 1GHz,
 RBW=120KHz, VBW=300KHz, Sweep=auto, Detector function=peak, Trace=max hold;
 If the emission level of the EUT measured by the peak detector is 3 dB lower than the applicable limit, the peak emission level will be reported. Otherwise, the emission measurement will be repeated using the quasi-peak detector and reported.
 - (3) From 1GHz to 5th harmonic, RBW=1MHz, VBW=3MHz

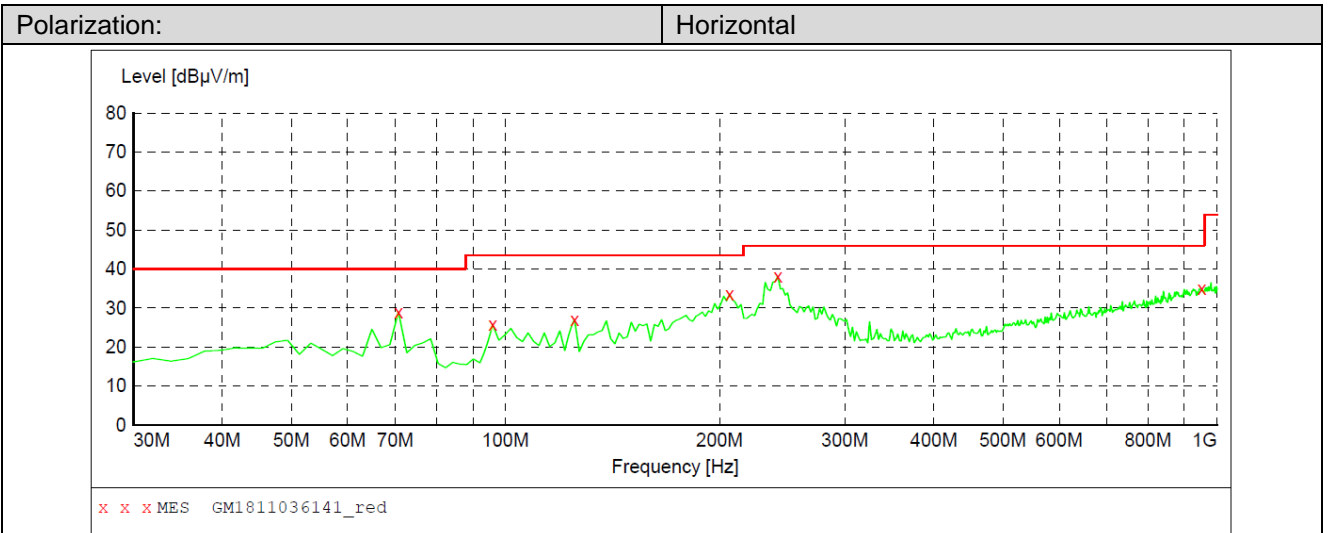
TEST MODE:

Please refer to the clause 3.3

TEST RESULTS

Passed **Not Applicable**

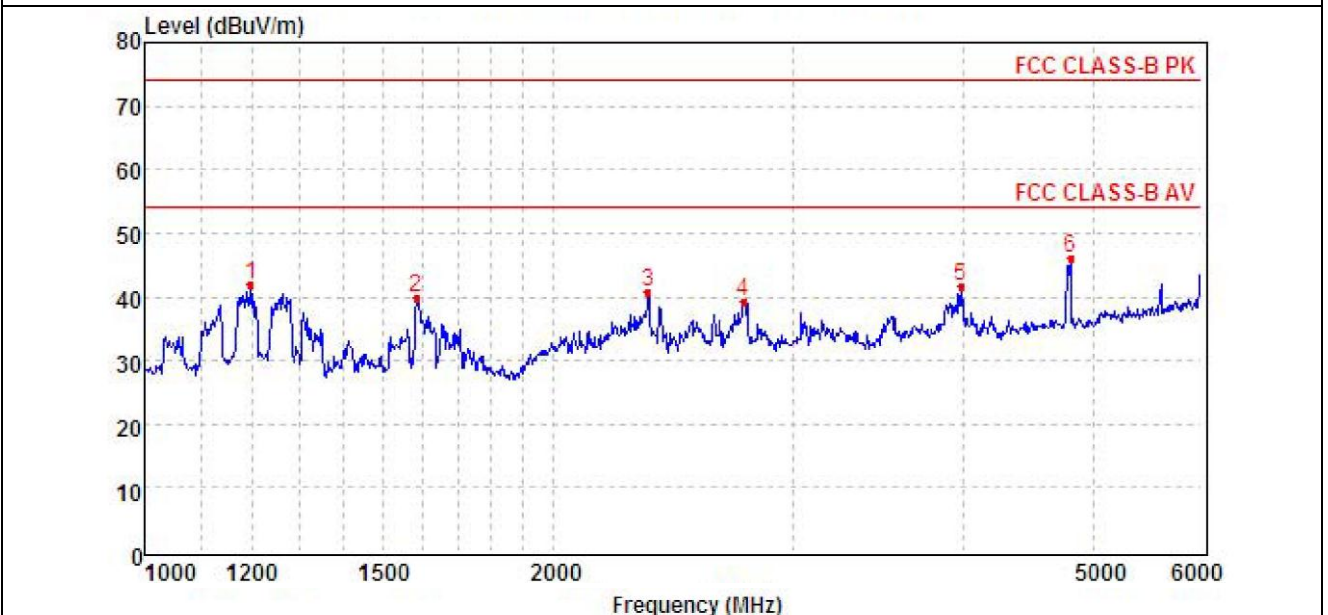
Note: Final Level =Receiver Read level + Antenna Factor + Cable Loss – Preamplifier Factor



MEASUREMENT RESULT: "GM1811036141_red"

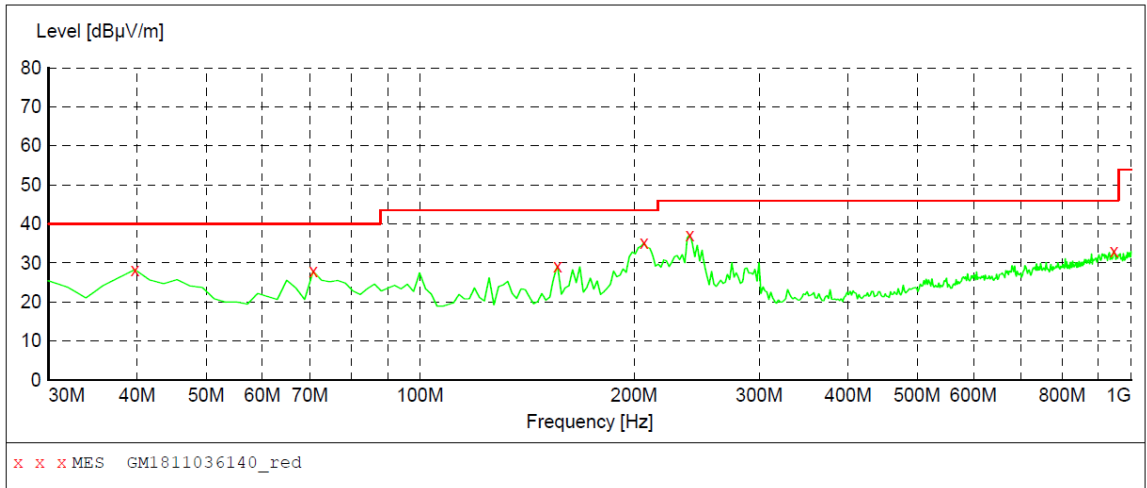
11/3/2018 10:18PM

Frequency MHz	Level dBµV/m	Transd dB	Limit dBµV/m	Margin dB	Det.	Height cm	Azimuth deg	Polarization
70.740000	29.00	-13.2	40.0	11.0	QP	300.0	18.00	HORIZONTAL
95.960000	25.70	-11.0	43.5	17.8	QP	300.0	98.00	HORIZONTAL
125.060000	27.10	-12.7	43.5	16.4	QP	300.0	247.00	HORIZONTAL
206.540000	33.60	-10.2	43.5	9.9	QP	100.0	172.00	HORIZONTAL
241.460000	38.10	-8.4	46.0	7.9	QP	100.0	52.00	HORIZONTAL
951.500000	34.90	8.2	46.0	11.1	QP	300.0	274.00	HORIZONTAL



Mark	Frequency MHz	Reading dBuV/m	Antenna dB	Cable dB	Preamp dB	Level dBuV/m	Limit dBuV/m	Over limit	Remark
1	1198.38	48.2	26.3	4.7	37.2	42.0	74.0	-32.0	Peak
2	1584.84	46.6	25.0	5.5	37.2	39.9	74.0	-34.1	Peak
3	2346.39	43.6	27.9	6.7	37.6	40.6	74.0	-33.4	Peak
4	2761.92	41.3	28.1	7.3	37.6	39.1	74.0	-34.9	Peak
5	3987.79	39.9	29.7	8.8	36.8	41.6	74.0	-32.4	Peak
6	4804.64	40.8	31.6	9.5	35.7	46.2	74.0	-27.8	Peak

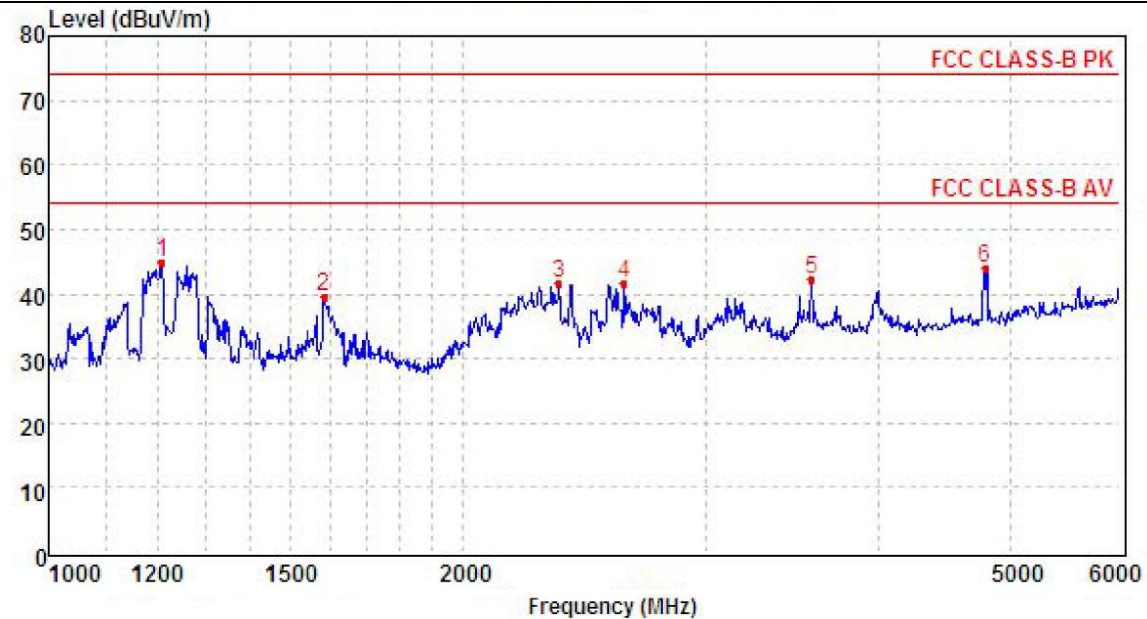
Polarization: Vertical



MEASUREMENT RESULT: "GM1811036140_red"

11/3/2018 10:15PM

Frequency MHz	Level dBuV/m	Transd dB	Limit dBuV/m	Margin dB	Det.	Height cm	Azimuth deg	Polarization
39.700000	28.30	-10.1	40.0	11.7	QP	100.0	78.00	VERTICAL
70.740000	27.90	-13.2	40.0	12.1	QP	100.0	290.00	VERTICAL
156.100000	29.20	-13.4	43.5	14.3	QP	100.0	3.00	VERTICAL
206.540000	35.10	-10.2	43.5	8.4	QP	100.0	0.00	VERTICAL
239.520000	37.20	-8.5	46.0	8.8	QP	100.0	3.00	VERTICAL
945.680000	33.10	8.2	46.0	12.9	QP	100.0	78.00	VERTICAL



Mark	Frequency MHz	Reading dBuv/m	Antenna dB	Cable dB	Preamp dB	Level dBuv/m	Limit dBuv/m	Over limit	Remark
1	1209.16	51.0	26.3	4.7	37.2	44.8	74.0	-29.2	Peak
2	1584.84	46.2	25.0	5.5	37.2	39.5	74.0	-34.5	Peak
3	2346.39	44.8	27.9	6.7	37.6	41.8	74.0	-32.2	Peak
4	2617.38	44.4	27.9	6.9	37.6	41.6	74.0	-32.4	Peak
5	3581.33	41.9	29.2	8.2	37.1	42.2	74.0	-31.8	Peak
6	4787.45	38.8	31.6	9.5	35.8	44.1	74.0	-29.9	Peak

6. TEST SETUP PHOTOS OF THE EUT

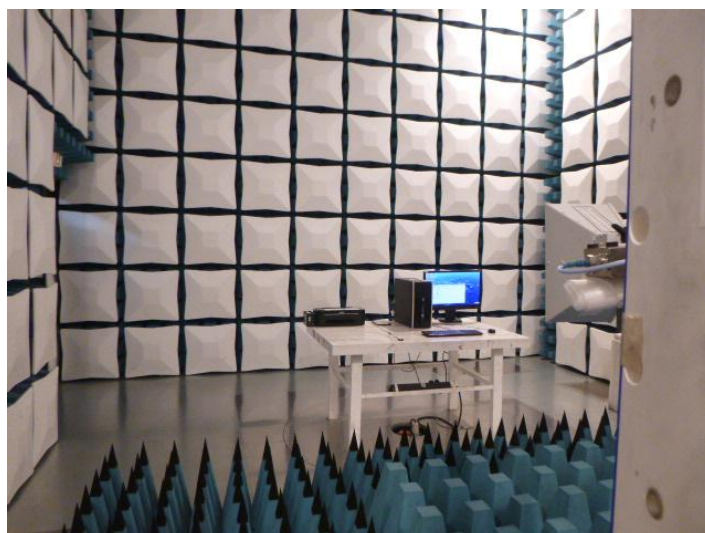
Conducted Emissions (AC Mains)

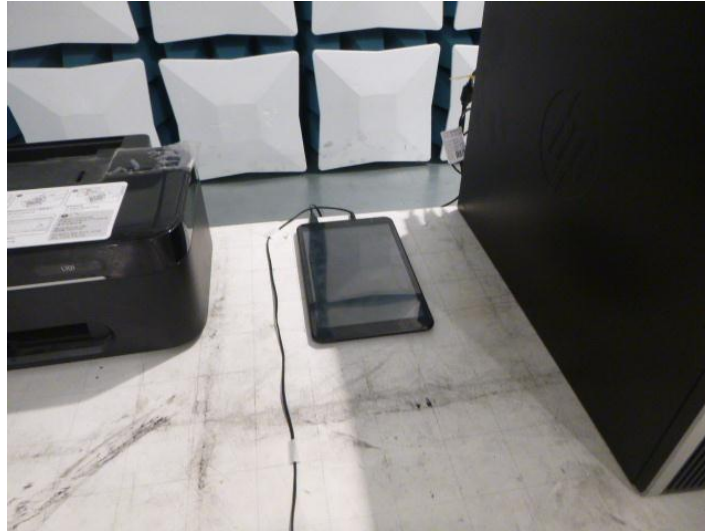


Radiated Emissions (30MHz-1GHz)



Radiated Emissions (Above 1GHz)





7. EXTERNAL AND INTERNAL PHOTOS OF THE EUT

Reference to the test report No.: TRE1810022901

-----End of Report-----