

SHANGHAI BAUD DATA COMMUNICATION LTD.

BDCOM GP1704-4F-E USER MANUAL



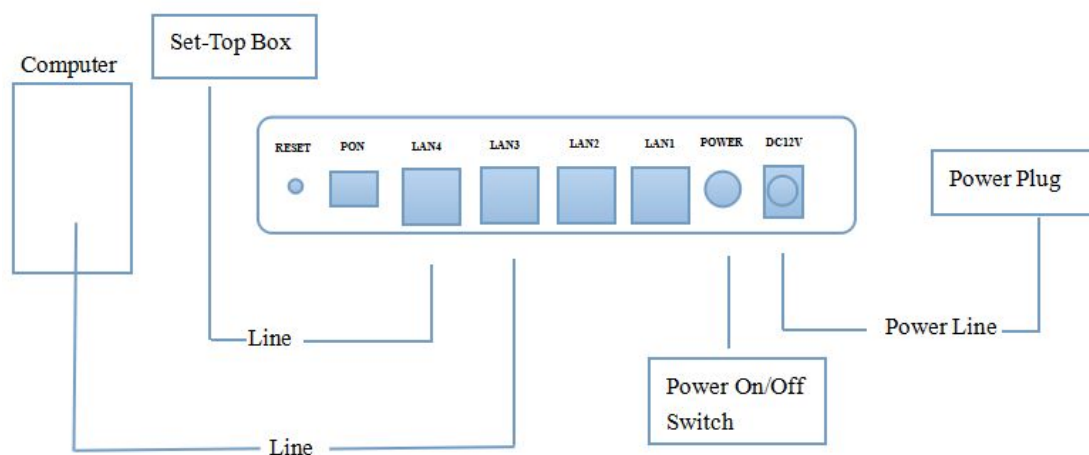
INTRODUCTION

BDCOM GP1704-4F-E is a handy, flexible and standard device, with high integration, about connection to the net. It is a high-end multi-in-one terminal product up to IEEE802.11b/g/n standard, providing connection with high performance for home users and individual merchants.

Main Characteristics:

- following ITU-T G.984/988 standard , adopting GPON uplink;
- set and monitored through WEB;
- remote configuration and management through TR069 Protocol;
- NAT and DHCP help to set the network and make Internet access easy;
- firewall offers protection;
- MAC and URL provide customization for Internet safety performance;
- terminal wireless access;

1 HARDWARE CONNECTION



Connection finished, please check the indicators.

| Indicator | Description | Color | Note |
|-----------|----------------|-------|-------------------------------------------------------------------------------------------------------------------------------------------------------------|
| POWER | Power | Green | On: Power is on; Off: Power is off. |
| PON | PON | Green | Red flicker: ONU is not activated Green: ONU is activated Green flicker: ONU receiving optical rate is lower than the sensibility of optical receiver |
| WLAN | Wireless | Green | Off: No power or no network devices are connected at ports; On: Ports are connected without data transmission; Flicker: Data is transmitted. |
| LAN1~4 | Ethernet ports | Green | Off: No power or no terminal devices are connected at ports |

Attention: If there is something wrong with indicators, please check the line connections.

Warnings:

Lay the devices on horizontally flat surface.

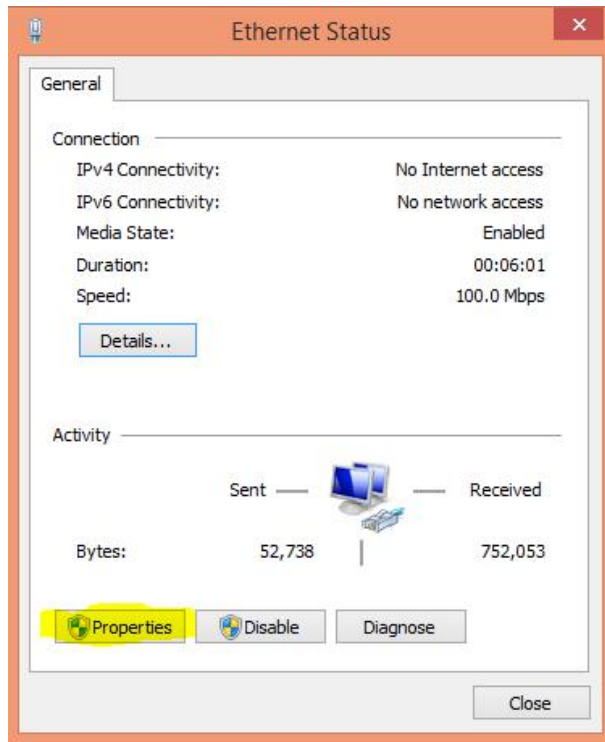
Shut down the power supply and unplug all line connections during a lightning storm.

Keep the device away from heaters and keep the ventilation.

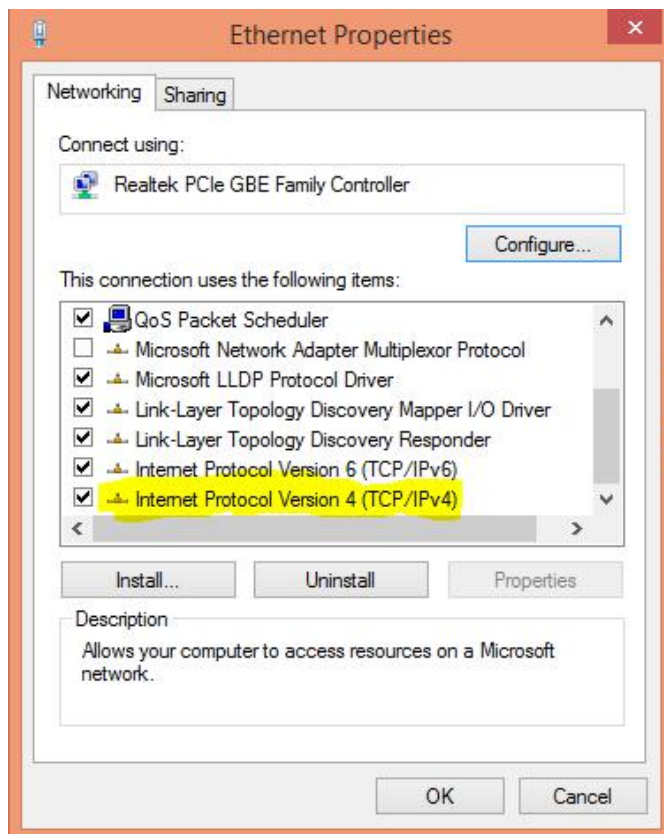
Use configured rated power adapter.

2 COMPUTER SET UP

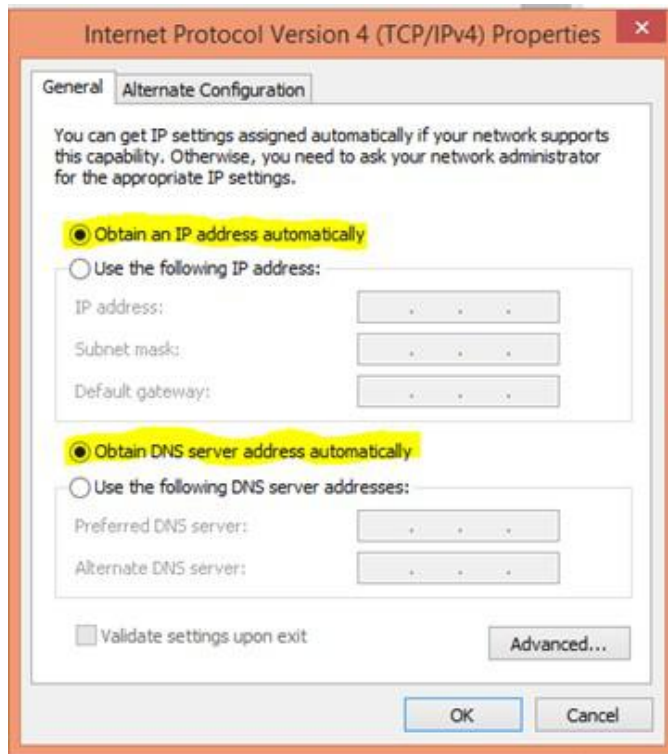
2.1 Click “start→control panel→network and Internet→network and shared centre→local connection”, choose“ local connection”, and“ attribute”.



2.2 Double click “Internet Protocol 4 (TCP/IPv4)”



2.3 Choose “automatic access to IP” and “automatic access to DNS”, then click “OK”.



3 GUIDE SETUP

3.1 Open Explorer



3.2 Type 10.0.0.10 in address bar, enter the web and type UserName(user) and Password(123456) to login the interface.

Welcome to login

| | |
|--------------------------------------|----------------------------------------|
| UserName | <input type="text" value="user"/> |
| Password | <input type="password" value="....."/> |
| <input type="button" value="Login"/> | |

Do as the following steps if UserName and Password is modified.

Status **Network** **Security** **Manage**

User Device

Access Control -- Password

Original Username:

Old Password:

New Password:

Confirm Password:

3.3 Device Management

1) On the interface, click “Device Basic Info” of “Status” to see the basic information of the device.

Status **Network** **Security**

Device Info WAN Info User Info

Device Basic Information

| | |
|------------------|---------------------|
| Run Time | 14 min |
| Local Time | 1970-01-01 08:14:02 |
| Device Model | GP1704-4F-E |
| Device ID | 847973-BDCM73f8db40 |
| Hardware Version | RTL960x |
| Software Version | 10.0.25B.478 |

2) Do as follows to save and restart the router:

Status **Network** **Security** **Manage**

User Device

Click the following button "save" and restart the router.

3.4 Device configuration:

1) Under WAN, users can check the default WAN Information.

| | | | |
|--------------------------------------------------------------------------------|----------------|-----------------|---------------|
| Status | Network | Security | Manage |
| Device Info WAN Info User Info | | | |

WAN Information

| Service Interface | Status | IP Address |
|---------------------|--------|------------|
| 1_TR069_R_VID_46 | down | INIT |
| 2_INTERNET_R_VID_44 | down | |

Network Information

| | |
|-----------------------------|--|
| Default Gateway | |
| Subnet Mask | |
| primary DNS Server | |
| Secondary DNS Server | |

3.5 Device configuration

1) Click WLAN in Network to select whether to enable wireless. Change wireless name, authentication method and password.

| | | |
|------------------------------------------|----------------|-----------------|
| Status | Network | Security |
| LAN WLAN | | |

Wireless Setting -- Basic

This page configures the basic characteristics of the wireless LAN port, which includes enable or disable wireless working station and set wireless SSID.

Click "save/apply" and the basic configuration of the wireless setting takes effect.

Enable Wireless

SSID: HGU-DB40

BSSID: 84:79:73:f8:db:40

Cancel Broadcast:

Save/Apply

Advanced



Wireless Setting -- Security

This page configures the basic characteristics of the wireless LAN port, which includes authentication encryption key and length of the encryption key.

SSIDindex : SSID1

network authentication mode: WPA2 Mixed ▼

WPA Encryption: TKIP AES

WPA2 Encryption: TKIP AES

WPA Pre-shared Encryption Key: 73F8DB40

Apply

Back

Reset

When UserName and Password logging in the router are forgotten, please reset the router.

Ways: With power on, use a toothpick or clip to press “RESET” for 10 seconds to restart.

Attention:

After restoration, reset the router.

Guarantee

The BDCOM products purchased legally can enjoy after-service in one year since the purchase, excluding man-made failures.

To guarantee your legal rights, please pay attention to the followings:

- (1) Guarantee card goes into effect only with stamps from the marketing unit.
- (2) The card shall be preserved by users. No supplement and doodling.
- (3) Non man-made problems can be solved for free with the guarantee card and invoice(with corresponding serial number) during guarantee time.

Guarantee scopes excluded the following faults:

- (1) made in transportation, load and unload;
- (2) made by men in arbitrary teardown and modification;
- (3) caused by unsuitable using environments;
- (4) caused by irresistible factors, such as fire, earthquake, lightning,etc;
- (5) Users do not follow the instructions in manual to use, maintain and preserve;
- (6) Damage of equipment, power,etc.in using;
- (7) The card number isn't accordance with serial number or the card has been doodled.

Any repairable product excluded Guarantee can get paid repair in BAUD. All rights reserved.

Guarantee Card

Distinguished users,

Thanks for your custom. For better service, please scan, fill and preserve the card.

| | |
|------------------------|--|
| User Name | |
| Address/Post Code | |
| Telephone | |
| Product Model | |
| Serial Number | |
| Purchase Date | |
| Invoice Number | |
| Sales unit Name | |
| Unit Address/Telephone | |

User saves; no supplement

Sales unit: (Stamp)

Tips:

1. The computer can seek to wireless signals but not be connected.
 - 1) Please make sure the connected wireless name is accordance with SSID of the wireless router;
 - 2) Make sure the enough intensity of wireless signals. If not, adapt the location of the router;
 - 3) Renovate the net list and reconnect the wireless;
 - 4) Consult manufacturers of the laptop or WLAN card, then connect WLAN based on acknowledged parameters;
 - 5) Restart the computer.

If it still does not work, please restore the router and reset it to connect.

2. No wireless signals sought to
 - 1) Please ensure WLAN switch is on;
 - 2) Check WLAN driver is installed successfully or not; if not, reinstall it;
 - 3) Check wireless functions of the router is ready with SSID Broadcast permission or not;
 - 4) Check the service is on or not. Here are the steps with Windows 7: right-click"my computer", choose"manage". In management, choose "service and application" and unfold "service" to find "WLAN AutoConfig". Make sure it is on;
 - 5) Try to get closer to the router. If it still does not work, try to connect any other wifi; if not, restore the router and reset.

■ Shanghai Baud Data Communication Co.,Ltd.

■ Post Number: 201203

■ No.123, Juli Road, Pudong Zhangjiang High-Tech Park, Shanghai 201203, P.R.China

The pictures are for your information.

All rights reserved.

FCC Statement

Any Changes or modifications not expressly approved by the party responsible for compliance could void the user's authority to operate the equipment.

This device complies with part 15 of the FCC Rules. Operation is subject to the following two conditions:

(1) This device may not cause harmful interference, and

(2) This device must accept any interference received, including interference that may cause undesired operation.

FCC Radiation Exposure Statement:

This equipment complies with FCC radiation exposure limits set forth for an uncontrolled environment .This equipment should be installed and operated with minimum distance 20cm between the radiator& your body.