



Shenzhen CTL Testing Technology Co., Ltd.  
Tel: +86-755-89486194 E-mail: ctl@ctl-lab.com

# TEST REPORT

## 47 CFR FCC Part 15 Subpart C 15.231

Report Reference No.....: **CTL2202167023-WF**

Compiled by:  
( position+printed name+signature)

Happy Guo  
(File administrators)

Tested by:  
( position+printed name+signature)

Gary Gao  
(Test Engineer)

Approved by:  
( position+printed name+signature)

Ivan Xie  
(Manager)



Product Name.....: RC WEATHER STATION

Model/Type reference.....: DM3665

List Model(s).....: N/A

Trade Mark.....: N/A

FCC ID.....: 2ARMP-DM3665

Applicant's name.....: **DIGI-MAX TECHNOLOGY LIMITED**

Address of applicant.....: Room 708, Building 3, XIN YUAN, Jinshan Industrial District, Fuzhou, Fujian, China

Test Firm.....: **Shenzhen CTL Testing Technology Co., Ltd.**

Address of Test Firm.....: Floor 1-A, Baisha Technology Park, No.3011, Shahexi Road, Nanshan District, Shenzhen, China 518055

Test specification.....:

Standard.....: **47 CFR FCC Part 15 Subpart C 15.231**

TRF Originator.....: Shenzhen CTL Testing Technology Co., Ltd.

Master TRF.....: Dated 2011-01

Date of receipt of test item.....: Mar. 07, 2022

Date of Test Date.....: Mar. 07, 2022-Mar. 24, 2022

Data of Issue.....: Mar. 24, 2022

Result.....: **Pass**

**Shenzhen CTL Testing Technology Co., Ltd. All rights reserved.**

This publication may be reproduced in whole or in part for non-commercial purposes as long as the Shenzhen CTL Testing Technology Co., Ltd. is acknowledged as copyright owner and source of the material. Shenzhen CTL Testing Technology Co., Ltd. takes no responsibility for and will not assume liability for damages resulting from the reader's interpretation of the reproduced material due to its placement and context.

# TEST REPORT

<b>Test Report No. :</b>	<b>CTL2202167023-WF</b>	Mar. 24, 2022 Date of issue
--------------------------	-------------------------	--------------------------------

Equipment under Test : RC WEATHER STATION

Sample No. CTL220216702-1-S003

Model /Type : DM3665

Listed Models : N/A

**Applicant** : **DIGI-MAX TECHNOLOGY LIMITED**

Address : Room 708, Building 3, XIN YUAN, Jinshan Industrial District, Fuzhou, Fujian, China

**Manufacturer** : **Putian Joko Electronic Co., Ltd**

Address : No. 4099, Guohuan East Road, Shixi Village, Jiangkou Town, Hanjiang District, Putian City, Fujian, China

<b>Test result</b>	<b>Pass *</b>
--------------------	---------------

\* In the configuration tested, the EUT complied with the standards specified page 5.

The test results presented in this report relate only to the object tested.

This report shall not be reproduced, except in full, without the written approval of the issuing testing laboratory.



**Table of Contents**

**Page**

**1. SUMMARY.....5**

- 1.1. TEST STANDARDS..... 5
- 1.2. TEST DESCRIPTION..... 5
- 1.3. TEST FACILITY..... 6
- 1.4. STATEMENT OF THE MEASUREMENT UNCERTAINTY..... 6

**2. GENERAL INFORMATION..... 8**

- 2.1. ENVIRONMENTAL CONDITIONS..... 8
- 2.2. GENERAL DESCRIPTION OF EUT..... 8
- 2.3. EQUIPMENTS USED DURING THE TEST..... 8
- 2.4. RELATED SUBMITTAL(S) / GRANT (S)..... 9
- 2.5. MODIFICATIONS..... 9

**3. TEST CONDITIONS AND RESULTS.....10**

- 3.1. CONDUCTED EMISSION (AC MAIN)..... 10
- 3.2. RADIATED EMISSION..... 11
- 3.3. 20DB BANDWIDTH..... 17
- 3.4. DEACTIVATION TIME..... 18
- 3.5. ANTENNA REQUIREMENT..... 19

**4. TEST SETUP PHOTOS OF THE EUT.....20**

**5. EXTERNAL AND INTERNAL PHOTOS OF THE EUT.....21**

# 1. SUMMARY

## 1.1. Test Standards

The tests were performed according to following standards:

[FCC Rules Part 15.231](#): Periodic operation in the band 40.66-40.70 MHz and above 70 MHz.

[ANSI C63.10:2013](#) : American National Standard for Testing Unlicensed Wireless Devices

## 1.2. Test Description

FCC and IC Requirements		
FCC Part 15.207	Conducted Emission	N/A
FCC Part 15.231(a)(2)	Automatically Deactivate	PASS
FCC Part 15.231(b)	Electric Field Strength of Fundamental Emission	PASS
FCC Part 15.205 & 15.209 & 15.231(b)	Electric Field Strength of Spurious Emission	PASS
FCC Part 15.231(c)	-20dB bandwidth	PASS

Remark: The measurement uncertainty is not included in the test result.

## 1.3. Test Facility

### 1.3.1 Address of the test laboratory

Shenzhen CTL Testing Technology Co.,Ltd.

Floor 1-A, Baisha Technology Park, No. 3011, Shahexi Road, Nanshan, Shenzhen 518055 China

There is one 3m semi-anechoic chamber and two line conducted labs for final test. The Test Sites meet the requirements in documents ANSI C63.4 and CISPR 22/EN 55022 requirements.

### 1.3.2 Laboratory accreditation

The test facility is recognized, certified, or accredited by the following organizations:

#### CNAS-Lab Code: L7497

Shenzhen CTL Testing Technology Co., Ltd. has been assessed and proved to be in compliance with CNAS-CL01 Accreditation Criteria for Testing and Calibration Laboratories (identical to ISO/IEC 17025: 2005 General Requirements) for the Competence of Testing and Calibration Laboratories.

#### A2LA-Lab Cert. No. 4343.01

Shenzhen CTL Testing Technology Co., Ltd, EMC Laboratory has been accredited by A2LA for technical competence in the field of electrical testing, and proved to be in compliance with ISO/IEC 17025: 2005 General Requirements for the Competence of Testing and Calibration Laboratories and any additional program requirements in the identified field of testing.

#### IC Registration No.: 9618B

#### CAB identifier: CN0041

The 3m alternate test site of Shenzhen CTL Testing Technology Co., Ltd. EMC Laboratory has been registered by Innovation, Science and Economic Development Canada to test to Canadian radio equipment requirements with Registration No.: 9618B on Jan. 22, 2019.

#### FCC-Registration No.: 399832

#### Designation No.: CN1216

Shenzhen CTL Testing Technology Co., Ltd. EMC Laboratory has been registered and fully described in a report filed with the (FCC) Federal Communications Commission. The acceptance letter from the FCC is maintained in our files. Registration 399832, December 08, 2017.

## 1.4. Statement of the measurement uncertainty

The data and results referenced in this document are true and accurate. The reader is cautioned that there may be errors within the calibration limits of the equipment and facilities. The measurement uncertainty was calculated for all measurements listed in this test report acc. to CISPR 16 - 4 "Specification for radio disturbance and immunity measuring apparatus and methods – Part 4: Uncertainty in EMC Measurements" and is documented in the Shenzhen CTL Testing Technology Co., Ltd. quality system acc. to DIN EN ISO/IEC 17025. Furthermore, component and process variability of devices similar to that tested may result in additional deviation. The manufacturer has the sole responsibility of continued compliance of the device.

Hereafter the best measurement capability for CTL laboratory is reported:

Test	Measurement Uncertainty	Notes
Transmitter power conducted	±0.57 dB	(1)
Transmitter power Radiated	±2.20 dB	(1)
Conducted spurious emission 9KHz-40 GHz	±2.20 dB	(1)
Occupied Bandwidth	±0.01ppm	(1)

Radiated Emission 30~1000MHz	$\pm 4.10\text{dB}$	(1)
Radiated Emission Above 1GHz	$\pm 4.32\text{dB}$	(1)
Conducted Disturbance 0.15~30MHz	$\pm 3.20\text{dB}$	(1)

- (1) This uncertainty represents an expanded uncertainty expressed at approximately the 95%  
(2) confidence level using a coverage factor of  $k=2$ .

## 2. GENERAL INFORMATION

### 2.1. Environmental conditions

During the measurement the environmental conditions were within the listed ranges:

Normal Temperature:	25°C
Relative Humidity:	55 %
Air Pressure:	101 kPa

### 2.2. General Description of EUT

Product Name:	RC WEATHER STATION
Model/Type reference:	DM3665
Power supply:	DC 3.0V from Battery
Modulation:	ASK
Operation frequency:	433.92MHz
Channel number:	1
Antenna type:	PCB Antenna
Antenna gain:	5 dBi

Note: For more details, please refer to the user's manual of the EUT.

### 2.3. Equipments Used during the Test

Test Equipment	Manufacturer	Model No.	Serial No.	Calibration Date	Calibration Due Date
LISN	R&S	ENV216	3560.6550.1 2	2021/05/23	2022/05/22
LISN	R&S	ESH2-Z5	860014/010	2021/05/23	2022/05/22
Bilog Antenna	Sunol Sciences Corp.	JB1	A061713	2021/05/23	2022/05/22
EMI Test Receiver	R&S	ESCI	1166.5950.03	2021/05/23	2022/05/22
Spectrum Analyzer	Agilent	E4407B	MY41440676	2021/01/20	2022/01/19
Spectrum Analyzer	Agilent	N9020	US46220290	2021/01/15	2022/01/14
Controller	EM Electronics	EM 1000	060859	2021/05/25	2022/05/24
Horn Antenna	Sunol Sciences Corp.	DRH-118	A062013	2021/05/23	2022/05/22
Active Loop Antenna	Da Ze	ZN30900A	/	2021/05/23	2022/05/22
Amplifier	Agilent	8449B	3008A02306	2021/05/23	2022/05/22
Amplifier	Agilent	8447D	2944A10176	2021/05/23	2022/05/22
Temperature/Humidity Meter	Gangxing	CTH-608	02	2021/06/15	2022/06/14
High-Pass Filter	micro-tranics	HPM50108	G174	2021/06/15	2022/06/14
High-Pass Filter	micro-tranics	HPM50111	G142	2021/06/15	2022/06/14
Coaxial Cables	HUBER+SUHN	SUCOFLEX	10m	2021/06/15	2022/06/14



	ER	104PEA-10M			
Coaxial Cables	HUBER+SUHN ER	SUCOFLEX 104PEA-3M	3m	2021/06/15	2022/06/14
Coaxial Cables	HUBER+SUHN ER	SUCOFLEX 104PEA-3M	3m	2021/06/15	2022/06/14
RF Cable	Megalon	RF-A303	N/A	2021/06/15	2022/06/14

The calibration interval was one year

#### **2.4. Related Submittal(s) / Grant (s)**

This submittal(s) (test report) is intended to comply with Section 15.231 of the FCC Part 15, Subpart C Rules.

#### **2.5. Modifications**

No modifications were implemented to meet testing criteria.

### 3. TEST CONDITIONS AND RESULTS

#### 3.1. Conducted Emission (AC Main)

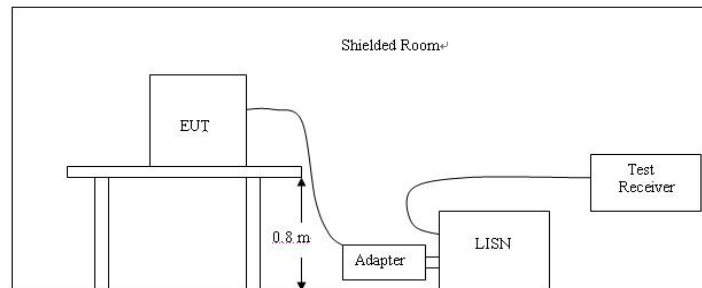
##### LIMIT

FCC CFR Title 47 Part 15 Subpart C Section 15.207

Frequency range (MHz)	Limit (dBuV)	
	Quasi-peak	Average
0.15-0.5	66 to 56*	56 to 46*
0.5-5	56	46
5-30	60	50

\* Decreases with the logarithm of the frequency.

##### TEST CONFIGURATION



##### TEST PROCEDURE

1. The equipment was set up as per the test configuration to simulate typical actual usage per the user's manual. The EUT is a flood stand system; a wooden table with a height of 0.1 meters is used and is placed on the ground plane as per ANSI C63.10-2013.
2. Support equipment, if needed, was placed as per ANSI C63.10-2013
3. All I/O cables were positioned to simulate typical actual usage as per ANSI C63.10-2013
4. If a EUT received DC power from the USB Port of Notebook PC, the PC's adapter received AC120V/60Hz power through a Line Impedance Stabilization Network (LISN) which supplied power source and was grounded to the ground plane.
5. All support equipments received AC power from a second LISN, if any.
6. The EUT test program was started. Emissions were measured on each current carrying line of the EUT using a spectrum Analyzer / Receiver connected to the LISN powering the EUT. The LISN has two monitoring points: Line 1 (Hot Side) and Line 2 (Neutral Side). Two scans were taken: one with Line 1 connected to Analyzer / Receiver and Line 2 connected to a 50 ohm load; the second scan had Line 1 connected to a 50 ohm load and Line 2 connected to the Analyzer / Receiver.
7. Analyzer / Receiver scanned from 150 KHz to 30MHz for emissions in each of the test modes.
8. During the above scans, the emissions were maximized by cable manipulation.

##### TEST RESULTS

Not applicable for device which is battery supply.

### 3.2. Radiated Emission

#### Limit

For intentional device, according to 15.209(a) the general requirement of field strength of radiated emission from intentional radiators at a distance of 3 meters shall not exceed the following table.

Frequency (MHz)	Distance (Meters)	Radiated (dBμV/m)	Radiated (μV/m)
0.009-0.49	3	$20\log(2400/F(KHz))+40\log(300/3)$	2400/F(KHz)
0.49-1.705	3	$20\log(24000/F(KHz))+ 40\log(30/3)$	24000/F(KHz)
1.705-30	3	$20\log(30)+ 40\log(30/3)$	30
30-88	3	40.0	100
88-216	3	43.5	150
216-960	3	46.0	200
Above 960	3	54.0	500

In addition to the provisions of 15.231(b) and RSS 210-A1.1.2, the field strength of emissions from intentional radiators operated under this section shall not exceed the following:

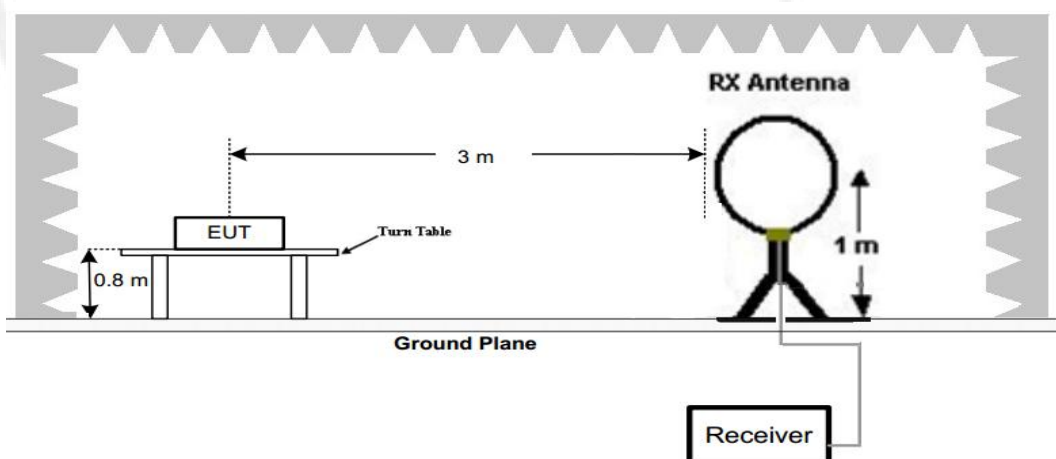
Funda-mental fre-quency (MHz)	Field strength of funda-mental (microvolts/ meter)	Field strength of spurious emissions (microvolts/meter)
40.66– 40.70.	2,250 .....	225
70–130 .....	1,250 .....	125
130–174 ...	<sup>1</sup> 1,250 to 3,750 .....	<sup>1</sup> 125 to 375
174–260 ...	3,750 .....	375
260–470 ...	<sup>1</sup> 3,750 to 12,500 .....	<sup>1</sup> 375 to 1,250
Above 470	12,500 .....	1,250

<sup>1</sup> Linear interpolations.

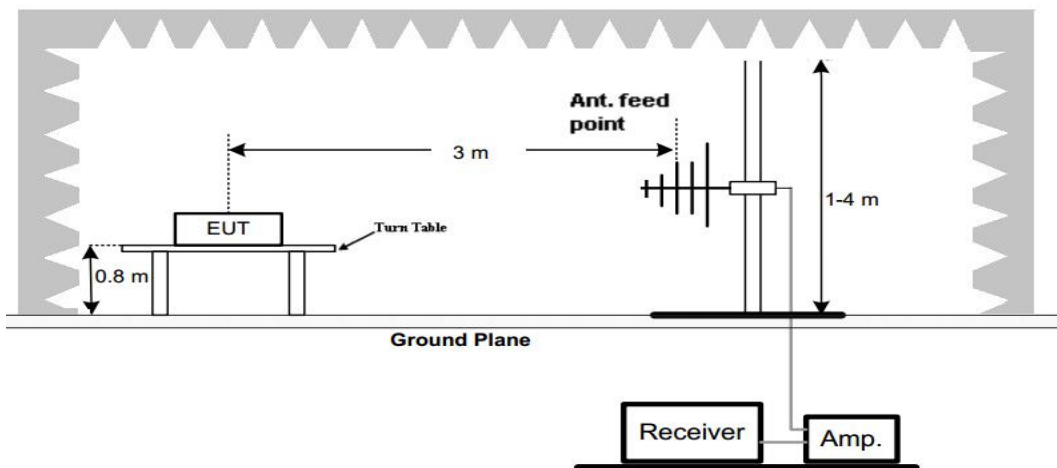
[Where F is the frequency in MHz, the formulas for calculating the maximum permitted fundamental field strengths are as follows: for the band 260-470 MHz, μV/m at 3 meters =  $41.6667(F) - 7083.3333$ . The maximum permitted unwanted emission level is 20 dB below the maximum permitted fundamental level.]

#### TEST CONFIGURATION

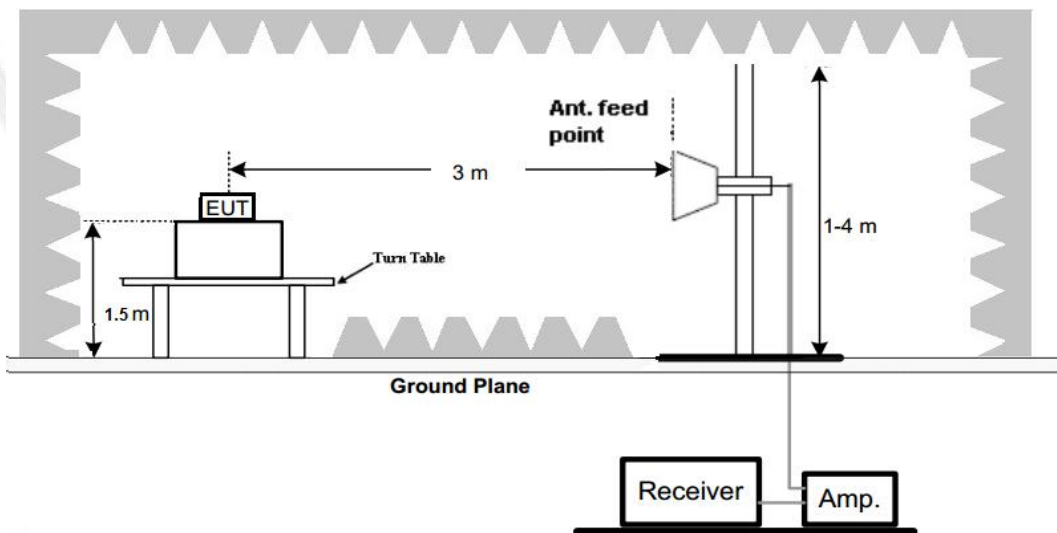
(A) Radiated Emission Test Set-Up, Frequency Below 30MHz



(B) Radiated Emission Test Set-Up, Frequency below 1000MHz



(C) Radiated Emission Test Set-Up, Frequency above 1000MHz

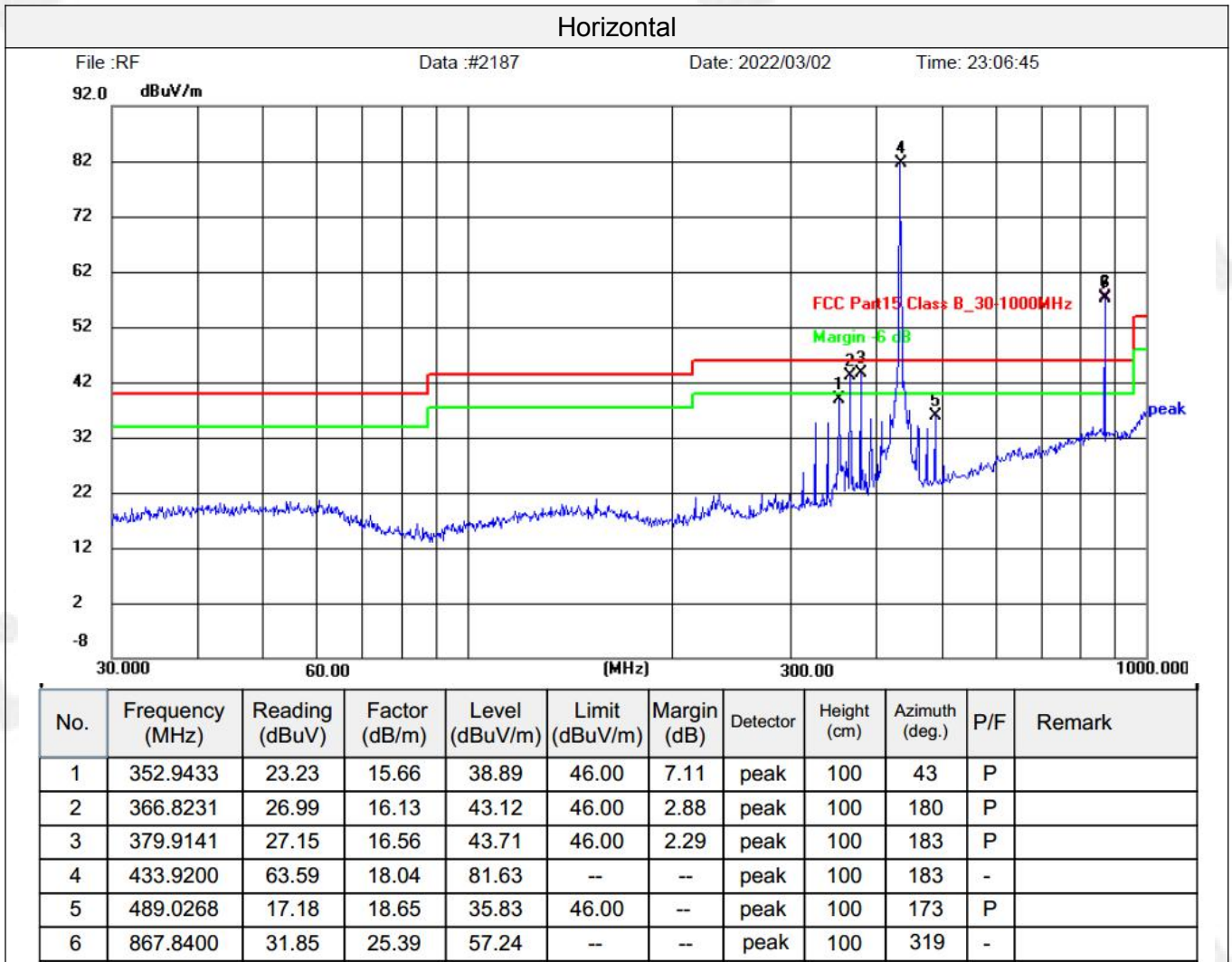


### Test Procedure

1. Below 1GHz measurement the EUT is placed on a turntable which is 0.8m above ground plane, and above 1GHz measurement EUT was placed on a low permittivity and low loss tangent turn table which is 1.5m above ground plane.
2. Maximum procedure was performed by raising the receiving antenna from 1m to 4m and rotating the turn table from 0° to 360° to acquire the highest emissions from EUT
3. And also, each emission was to be maximized by changing the polarization of receiving antenna both horizontal and vertical.
4. Repeat above procedures until all frequency measurements have been completed.

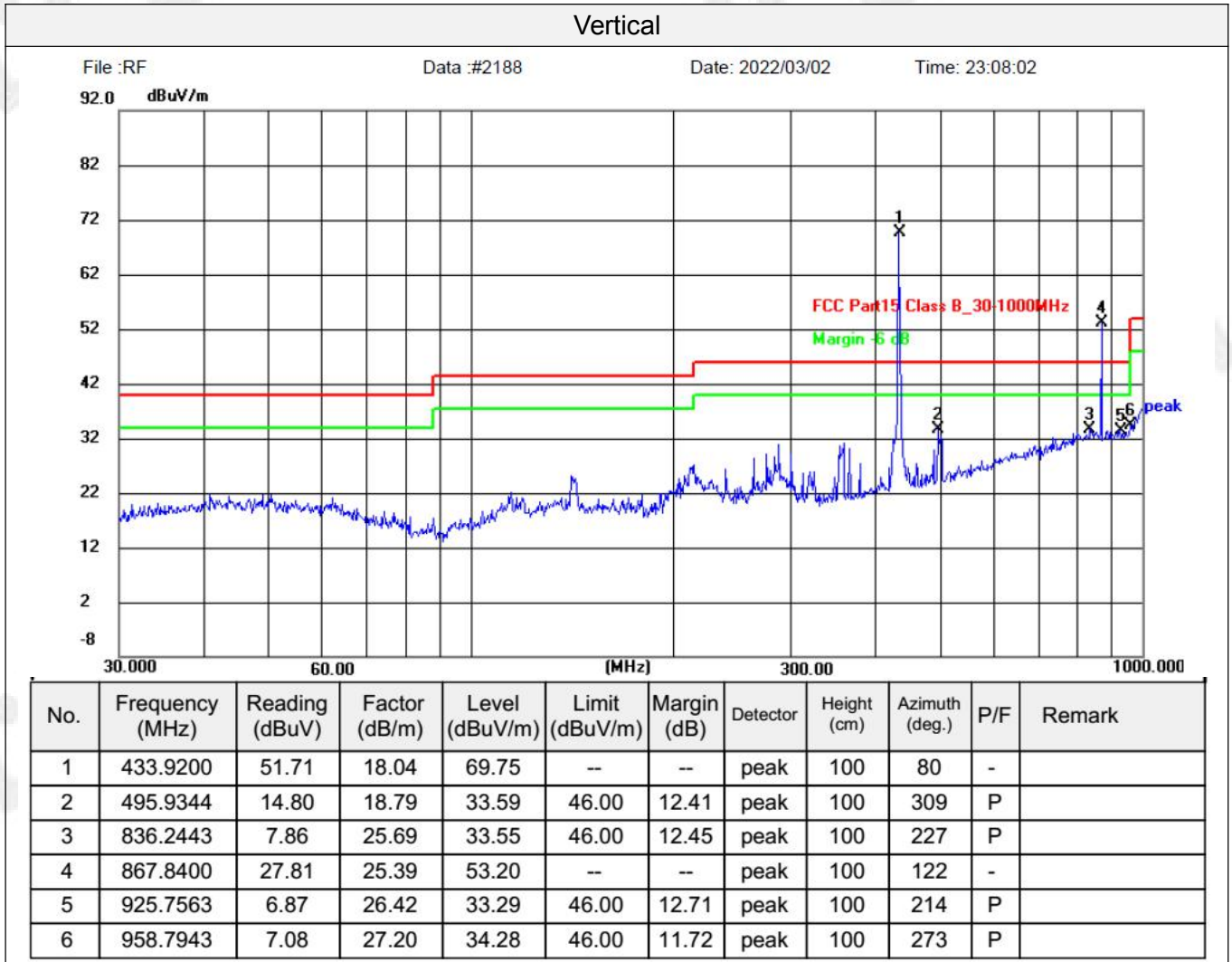
**TEST RESULTS**

For 30MHz-1GHz



**Note: point 4 is the fundamental, Limit is 100.82 dB $\mu$ V/m, 6 is the second harmonic, Limit is 80.82 dB $\mu$ V/m**

<b>Fundamental and Harmonics Average Result</b>						
Frequency (MHz)	Peak Level (dB $\mu$ V/m)	AV Factor (dB $\mu$ V/m)	Average Level (dB $\mu$ V/m)	Limit (dB $\mu$ V/m) (average)	Margin (dB $\mu$ V/m)	Conclusion
433.9200	81.63	-12.04	69.59	80.82	-11.23	PASS
867.8400	57.24	-12.04	45.20	60.82	-15.62	PASS



**Note: point 1 is the fundamental, Limit is 100.82 dB $\mu$ V/m, 4 is the second harmonic, Limit is 80.82 dB $\mu$ V/m**

Fundamental and Harmonics Average Result						
Frequency (MHz)	Peak Level (dB $\mu$ V/m)	AV Factor (dB $\mu$ V/m)	Average Level (dB $\mu$ V/m)	Limit (dB $\mu$ V/m) (average)	Margin (dB $\mu$ V/m)	Conclusion
433.9200	69.75	-12.04	57.71	80.82	-23.11	PASS
867.8400	53.20	-12.04	41.16	60.82	-19.66	PASS

**For 1GHz to 5GHz**

Emission Styles	Frequency (MHz)	Reading Level(dBuV)	Correct Factor(dB)	Level (dBuV/m)	Limit (dBuV/m)	Margin (dB)	Detector	Direction (H/V)
Harmonics	1301.76	46.32	-9.34	36.98	74.00	-37.02	PK	H
Harmonics	1735.83	44.03	-8.43	35.60	74.00	-38.40	PK	H
Harmonics	2169.40	41.75	-2.81	38.94	74.00	-35.06	PK	H
Harmonics	1301.55	40.32	-6.15	34.17	74.00	-39.83	PK	V
Harmonics	1735.74	40.20	-11.62	28.58	74.00	-45.42	PK	V
Harmonics	2169.43	38.26	-10.19	28.07	74.00	-45.93	PK	V
Emission Styles	Frequency (MHz)	AV Level(dBuV)	Correct Factor(dB)	Level (dBuV/m)	Limit (dBuV/m)	Margin (dB)	Detector	Direction (H/V)
Harmonics	1301.76	41.03	-9.34	31.69	54.00	-22.31	AV	H
Harmonics	1735.83	40.23	-7.53	32.70	54.00	-21.3	AV	H
Harmonics	2169.40	36.26	-2.81	33.45	54.00	-20.55	AV	H
Harmonics	1301.55	37.02	-7.53	29.49	54.00	-24.51	AV	V
Harmonics	1735.74	36.53	-11.62	24.91	54.00	-29.09	AV	V
Harmonics	2169.43	36.18	-7.53	28.65	54.00	-25.35	AV	V

## Note:

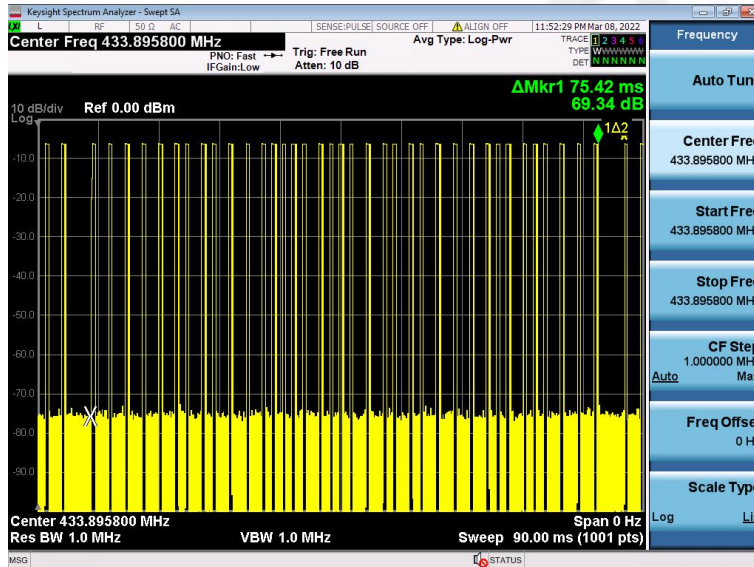
1. All Readings are Peak Value
2. Correct Factor= Antenna Factor +Cable Loss- Amplifier Gain
3. Emission Level= Reading Level+Probe Factor +Cable Loss
4. AV Level (dBuV/m)= PK Level (dBuV/m)+ AV Factor(dB)
5. Margin = TrueValue – limit(if margin is minus means under limit)
6. a transmit cycle 75.42ms period found 0.5ms burst 38pcs, the Duty Cycle can calculate as below:

$$\text{Duty Cycle} = (0.5 \times 38) / 75.42 = 0.25$$

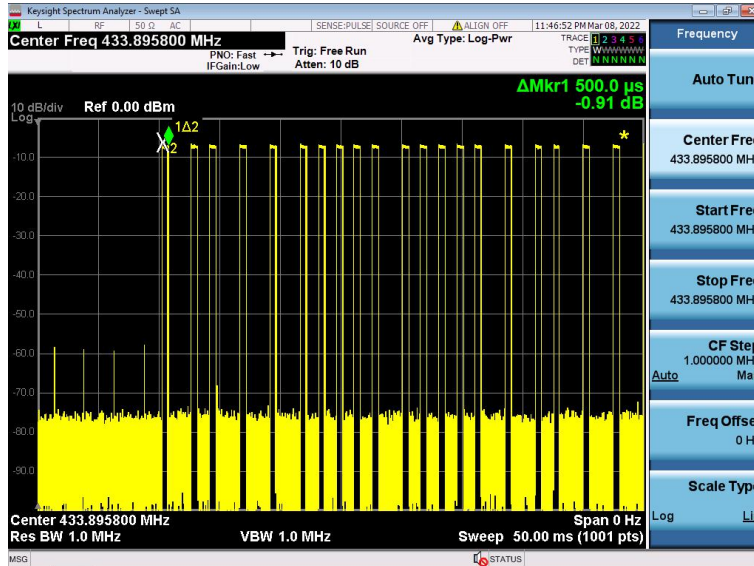
$$\text{AV Factor} = 20 \times \log(\text{Duty Cycle}) = 20 \times \log(0.25) = -12.04$$

(The plot of Duty Cycle See the follow page)

7. All the x/y/z orientation has been investigated, and only worst case is presented in this report.



(Transmit cycle 75.42ms)



(0.5ms burst 38pcs )

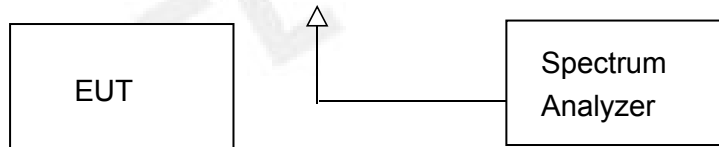


### 3.3. 20dB Bandwidth

#### Limit

According to 47 CFR 15.231(c) The bandwidth of the emission shall be no wider than 0.25% of the centre frequency for devices operating above 70MHz and below 900MHz. Bandwidth is determined at the points 20dB down from the modulated carrier.

#### Test Configuration



#### Test Procedure

The 20dB bandwidth and 99% bandwidth is measured with a spectrum analyzer connected via a receive antenna placed near the EUT while the EUT is operating in transmission mode.

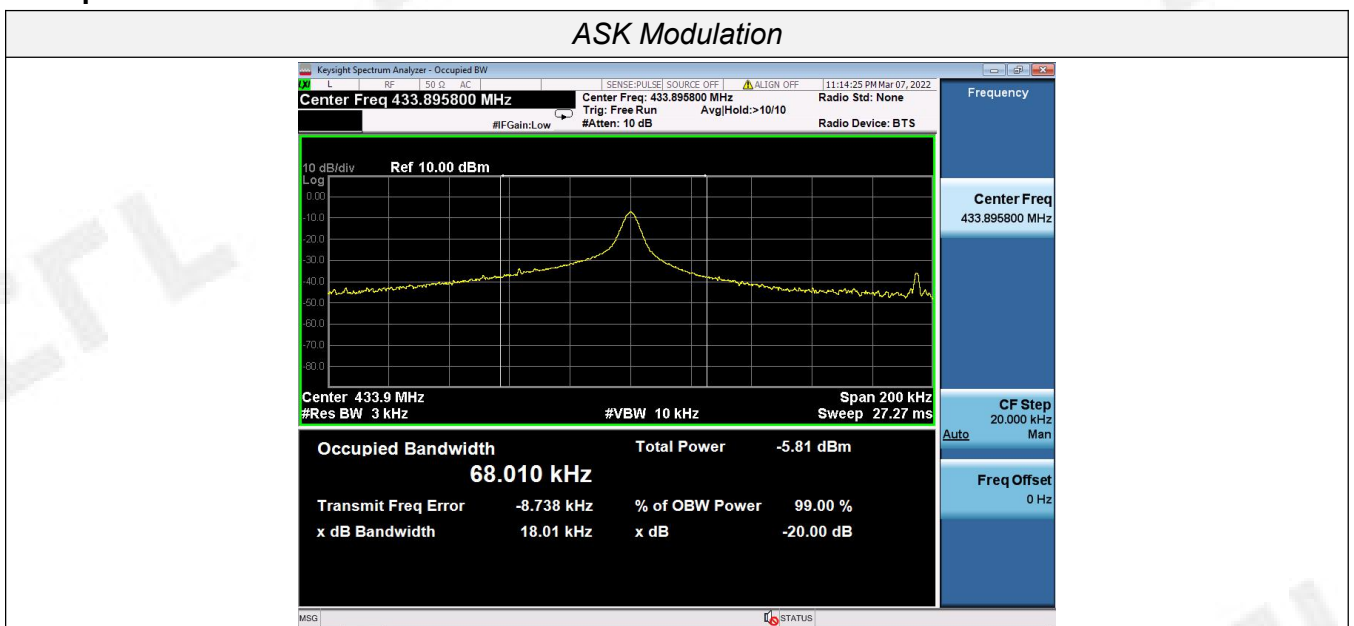
The 20dB bandwidth is defined as the total spectrum the power of which is higher than peak power minus 20dB.

The occupied bandwidth (OBW), that is the frequency bandwidth such that, below its lower and above its upper frequency limits, the mean powers radiated are each equal to 0.5 percent of the total mean power radiated by a given emission.

#### Test Results

Modulation	Channel Frequency (MHz)	99% OBW (KHz)	20dB bandwidth (KHz)	Limit (KHz)	Result
ASK	433.92	68.010	18.01	$0.25\% * 433.92 = 1084.8$	Pass

Test plot as follows:

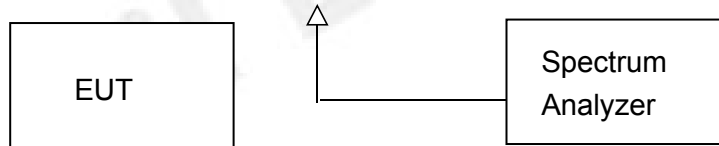


### 3.4. Deactivation Time

#### Limit

According to FCC §15.231(a)(2), A transmitter activated automatically shall cease transmission within 5 seconds after activation.

#### Test Configuration



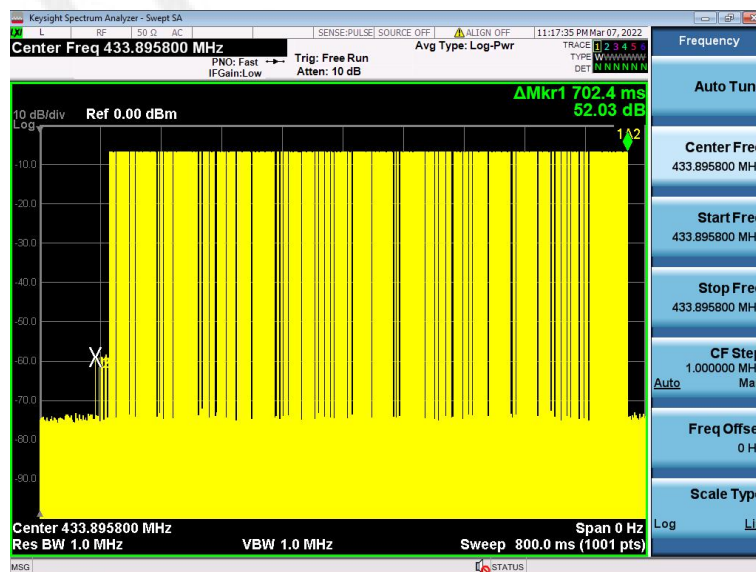
#### Test Procedure

1. The EUT was placed on a wooded table which is 0.8m height and close to receiver antenna of spectrum analyzer.
2. The spectrum analyzer resolution bandwidth was set to 1 MHz and video bandwidth was set to 1 MHz to encompass all significant spectral components during the test. The spectrum analyzer was operated in linear scale and zero span mode after tuning to the transmitter carrier frequency.

#### TEST RESULTS

Note: The transmitter was automatically activated, and the carrier frequency 433.92MHz:

Frequency (MHz)	One transmission time (S)	Limit(S)	Result
433.92	0.7024	5	Pass



### 3.5. Antenna Requirement

#### Standard Applicable

According to FCC Part 15C 15.203

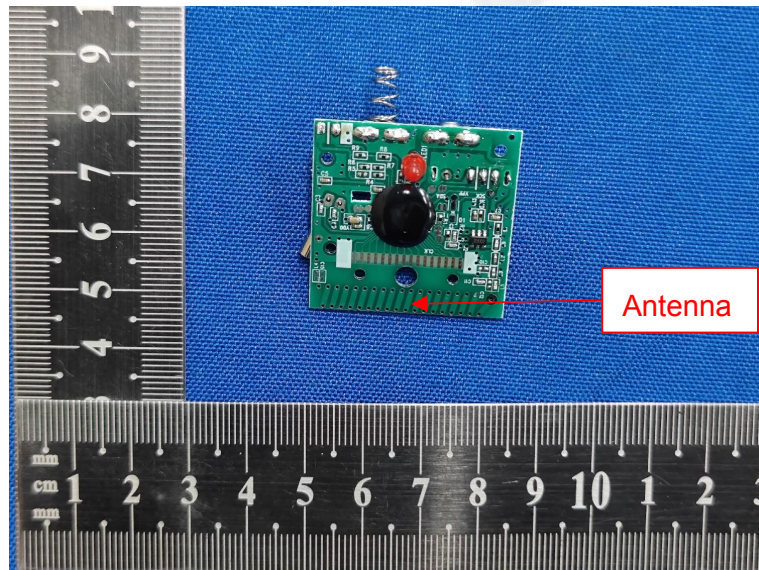
- a) An intentional radiator shall be de-signed to ensure that no antenna other than that furnished by the responsible party shall be used with the device.
- b) The manufacturer may design the unit so that a broken antenna can be replaced by the user, but the use of a standard antenna jack or electrical connector is prohibited.

#### **Refer to statement below for compliance.**

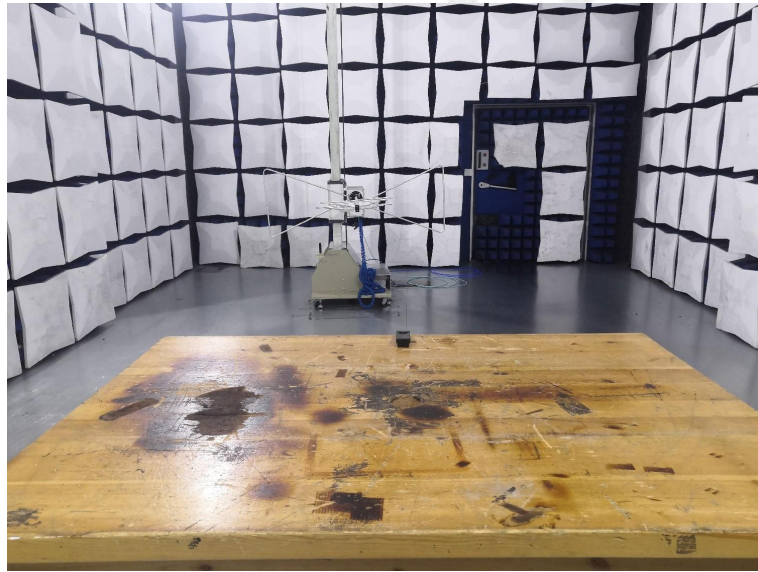
The manufacturer may design the unit so that the user can replace a broken antenna, but the use of a standard antenna jack or electrical connector is prohibited. Further, this requirement does not apply to intentional radiators that must be professionally installed.

#### Antenna Connected Construction

The antenna used in this product is an PCB Antenna, The directional gains of antenna used for transmitting is 5dBi.

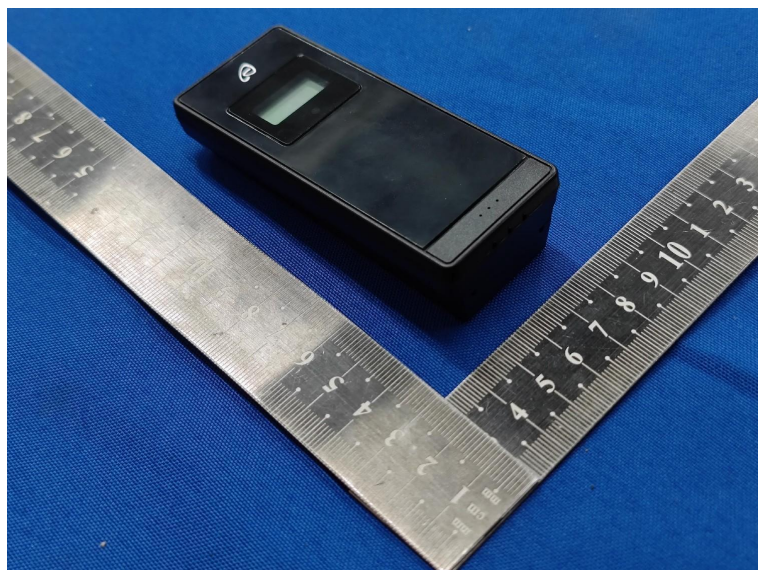


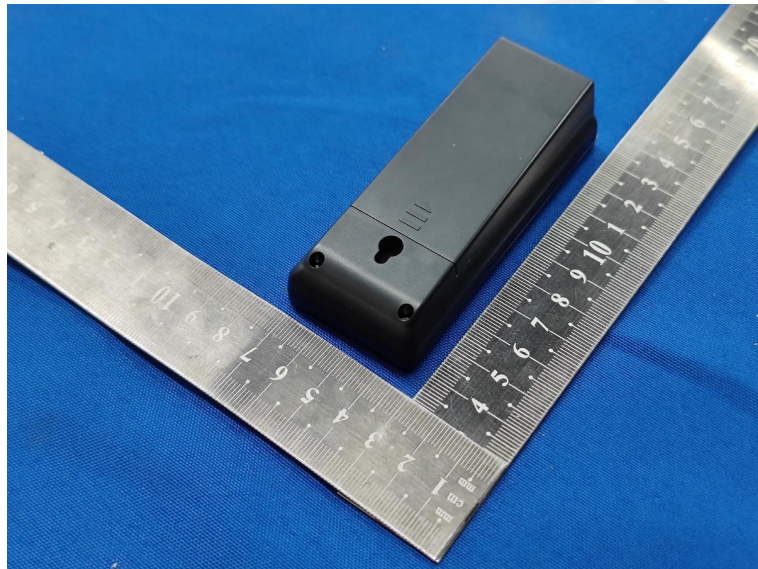
#### 4. Test Setup Photos of the EUT



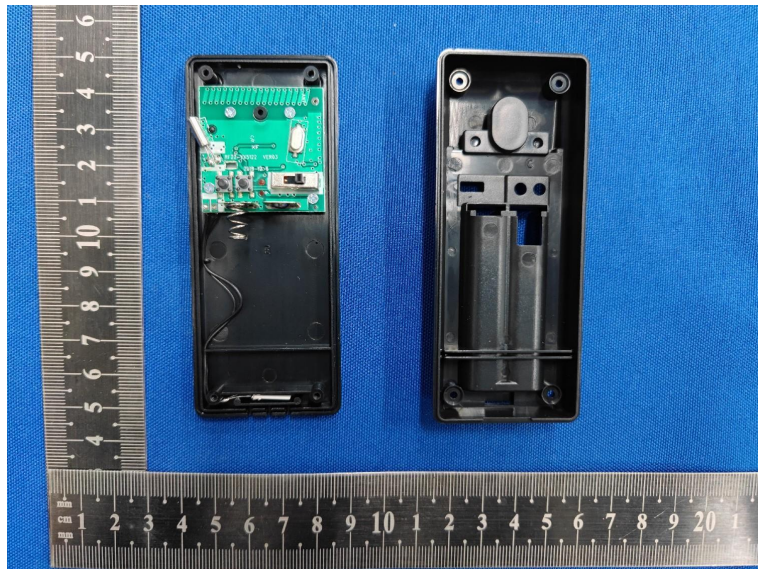
## 5. External and Internal Photos of the EUT

### External Photos of EUT

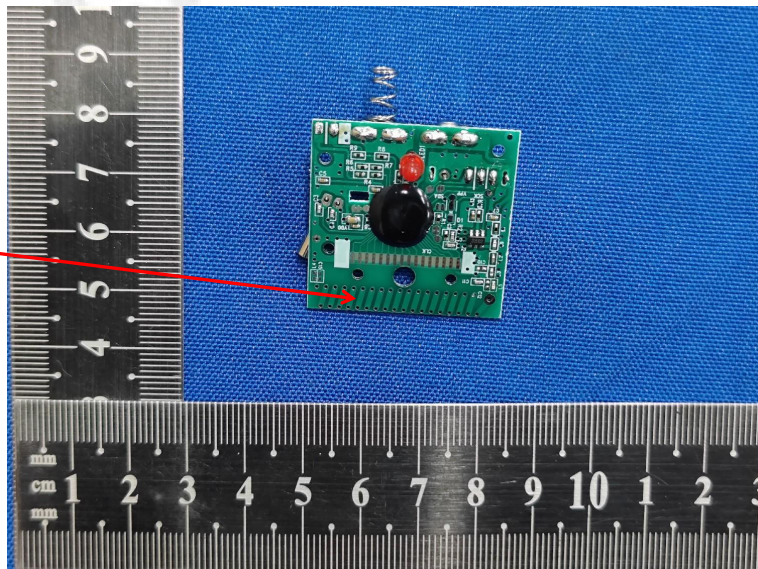


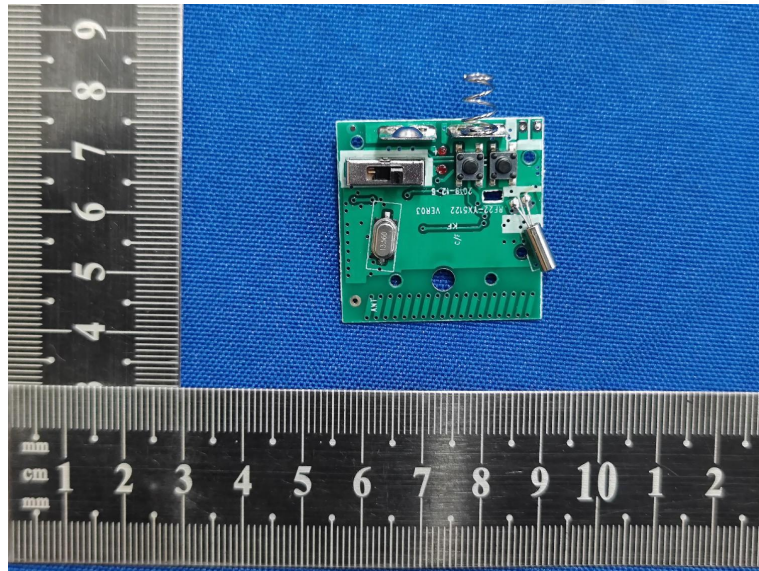


**Internal Photos of EUT**



**Transmitter antenna**





\*\*\*\*\* End of Report \*\*\*\*\*