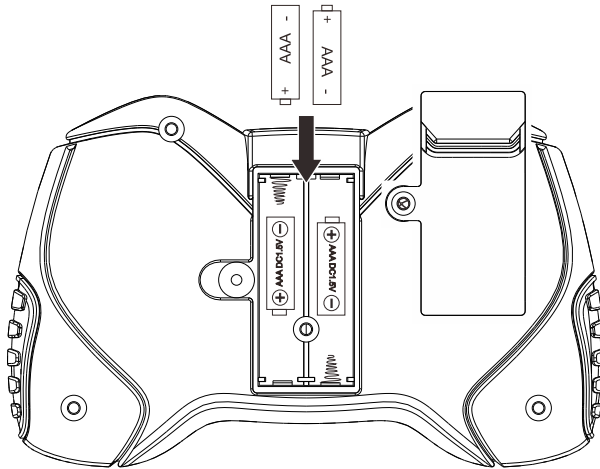


Direction for use

Introduction

This controller is used for electric kid's cars, including a remote control and a controller (for receiving). It uses 2.4G wireless remote control. The controller controls two motors to rotate. The remote control uses 3V battery to supply power. The receiver uses 12V battery to supply power. Product ship with no battery.

1. The installation and replacement of the batteries in the remote control:



Use a screwdriver to remove the battery cover of the remote control, insert two AAA 1.5V dry batteries in correct polarity. Close the battery cover and fix it with the screw. (Battery replacement also according to the above steps)

! WARNING!

- 1.All batteries should be inserted in the correct polarity.
- 2.Non-rechargeable battery cannot be recharged
- 3.Take out and properly deal with the dead battery. To avoid injury, please keep kids away from the battery.
- 4.The direct contact between the positive and negative terminals may result in fire or explosion. Avoid direct connect between the terminals.
- 5.Do not mix old and new batteries. DO not mix alkaline, standard(carbon-zinc),or rechargeable(nickel-cadmium) batteries.
- 6.Only an adult who has read and understood the safety warnings can recharge the battery.

Instructions:

Connect the controller to the electric kid's car with wire and turn on the car and controller at the same time.

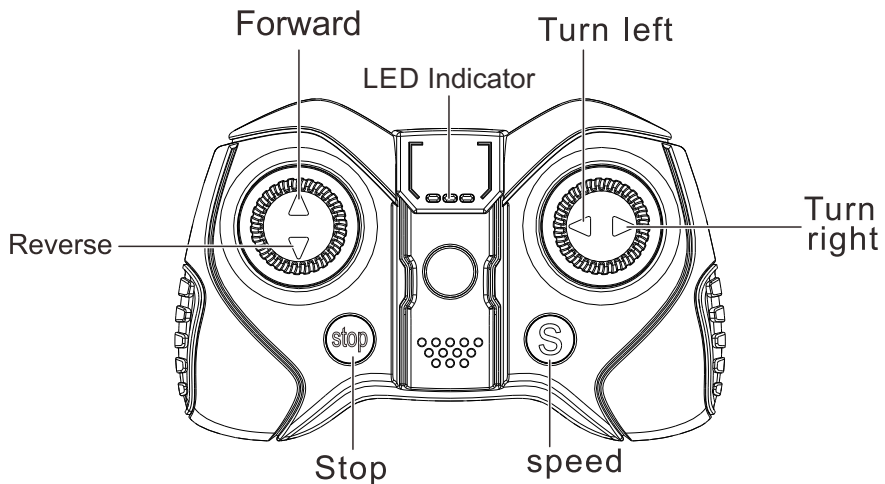
Coding the controller and receiver when control with the remote controller. When the remote controller first turns on, the top light flashes slowly and then turns on the receiver. When the light long bright, it means coding finishes and you can turn on the car.

There are 6 buttons on the remote controller: forward, backward, left, right, Speed Conversion, stop. The power button is used as the power supply when the remote controller is stand-by. When the remote control is working.

2. Matching the frequency of car and remote control

1. Turn off the Power Switch on the car.
2. Remove the battery cover on the Remote Control and put in 2 AAA battery, the three LED indicators will flash.
3. Turn on the Power Switch on the car, when the LED indicators stop flashing and 2 of them are on, matching successes.
4. Once the matching is made, there is no need to match code again only if the battery is replaced.
5. The Remote Control will enter a sleep mode if not used for a long time and the LED indicators will be off. Press any buttons to wake up the Remote Control, and it can be used normally.

Button Description: ▲: forward ▼: reverse ◀: turn left ▶: turn right
S: Speed stop: emergency brake, press it and the running function will fail, press again, it release.



Remote control operating instruction

Remote control is priority (when the car is in Remote control, the remote control personnel can control the car forward and backward, high/Low speed, steering and other functions, the driver CAN NOT operate the car).

Press the ▲ forward button, the car goes forward.

Press ▼ reverse button, the car goes reverse.

Press the stop button to brake the car urgently. Press stop button again to release the brake system. Press the turn left button, car turn left, Press the turn right button, car turn right,

The S button is speed button, one light on is low speed, two lights on for intermediate speed, three lights on for high speed.

Battery Warnings

NOTICE The batteries are not included.

- Always insert batteries correctly with regards to polarity (+ and-) marked on the battery and the product.
- Exhausted batteries should be immediately removed from product and properly disposed.

replacement of a battery with an incorrect type that can defeat a safeguard (for example, in the case of some lithium battery types);



- disposal of a battery into fire or a hot oven, or mechanically crushing or cutting of a battery, that can result in an explosion;
- leaving a battery in an extremely high temperature surrounding environment that can result in an explosion or the leakage of flammable liquid or gas; and
- a battery subjected to extremely low air pressure that may result in an explosion or the leakage of flammable liquid or gas



This product and - if applicable - the supplied accessories too are marked with "CE" and comply therefore with the applicable harmonized European standards listed under the RE Directive 2014/53/EU, the EMC Directive 2014/30/EU, the RoHS Directive 2011/65/EU.



2012/19/EU (WEEE directive): Products marked with this symbol cannot be disposed of as unsorted municipal waste in the European Union. For proper recycling, return this product to your local supplier upon the purchase of equivalent new equipment, or dispose of it at designated collection points. For more information see:

www.recyclethis.info



2006/66/EC (battery directive): This product contains a battery that cannot be disposed of as unsorted municipal waste in the European Union. See the product documentation for specific battery information. The battery is marked with this symbol, which may include lettering to indicate cadmium (Cd), lead (Pb), or mercury (Hg). For proper recycling, return the battery to your supplier or to a designated collection point. For more information see: www.recyclethis.info

FCC Warning:

Please take attention that changes or modification not expressly approved by the party responsible for compliance could void the user's authority to operate the equipment.

This device complies with Part 15 of the FCC Rules. Operation is subject to the following two conditions:

- (1) This device may not cause harmful interference, and
- (2) this device must accept any interference received, including interference that may cause undesired operation.