


# INSTALLATION AND OPERATING INSTRUCTIONS

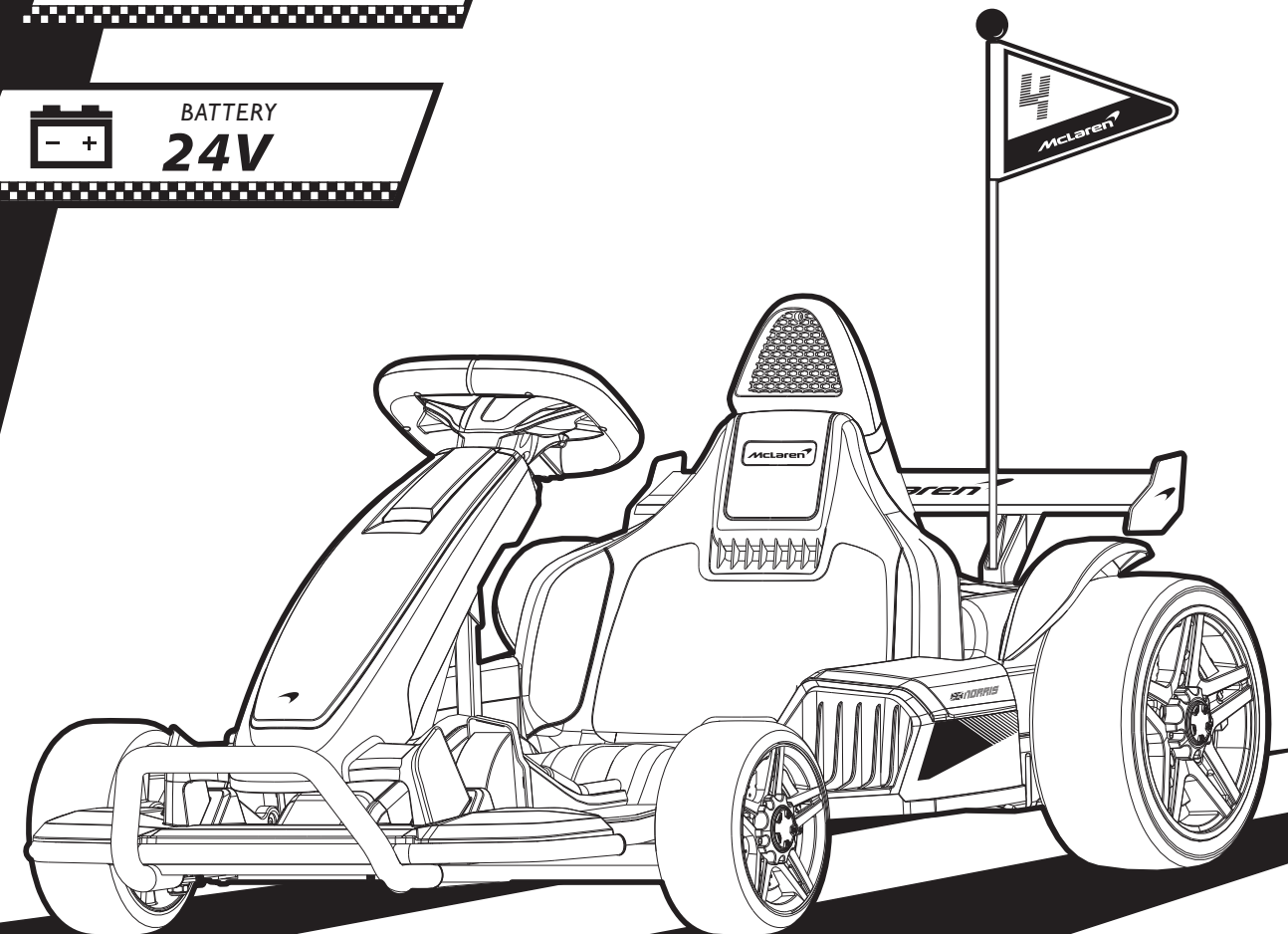
Ride on car

 **Drift**

 **SPEED**  
**12km/h**

 **BATTERY**  
**24V**

**Ages**  
**6+**



Executive standard:  
En71 and En62115  
ASTM F963-17


**⚠ WARNING:**

- Assembled by an adult.
- This toy was not suitable for Children under 6 years due to its maximum speed.
- RISK OF FIRE. Do not bypass. Replace only with original size and type.

Photos are for reference ONLY.

# INSTALLATION INSTRUCTION

The illustrations in this instruction are used for easier understanding of the operation method of the product and the product structure. Please note there may be differences between the pictures and the physical item. In order to improve the quality, we may change part of the structure and appearance of the product without an advance notice.

 Please read the instructions carefully before use, it will tell you the right operation method and installation steps. Incorrect operation may damage the product, or even hurt your child. Please keep this instruction ready and easy to find.

## Safety

### WARNING

The owner's manual contains assembly, use and maintenance instructions. The vehicle must be assembled by an adult who has read and understood the instructions in this manual. Keep the packaging away from children and dispose of all packaging before use.

**Note:** For best performance use on flat, hard surfaces.

The following safety hazards may result in serious injury or death to the user of the vehicle:

- This product contains small parts that are for adult assembly only.

Keep small children away when assembling. Remove and dispose of all protective material and poly bags before assembly. Be sure to remove all packaging materials and parts from underneath the vehicle body.

- Battery posts, terminals and related accessories contain lead and lead compounds (acids) chemicals known to the state of California to cause cancer, reproductive harm, and are toxic and corrosive. Never open the battery.

- Body parts such as hands, legs, hair and clothing can get caught in moving parts. Never place a body part near a moving part or wear loose clothing while using the vehicle. Always wear shoes when using the vehicle.

- Do not leave a child unattended while using this toy or allow use of this toy in any location that requires braking capability, as this could result in a roll away or loss of control, which may cause serious injury or death.

- Use of this vehicle near streets, motor vehicles, steps, bodies of water, sloped surfaces, hills, wet areas, flammable vapors, in alleys, at night, or in the dark could result in an unexpected accident.

- Using the vehicle in unsafe conditions such as snow, rain, loose dirt, mud, sand or fine gravel may result in unexpected action such as tip over and skidding, and damage to the electrical system and battery.

- Do not use the vehicle in an unsafe manner. Unsafe manner include but are not limited to:

- a. Pulling the vehicle with another vehicle or similar device
- b. Allowing more than one rider
- c. Pushing the user from the back
- d. Traveling at an unsafe speed

Always use common sense and safe practices when using the vehicle.

## BATTERY WARNINGS

### WARNING

The following safety hazards may result in serious injury or death to the user of the vehicle:



- Use of a battery or charger other than the supplied 24V rechargeable battery and charger may cause a fire or explosion. Only use the supplied 24V rechargeable battery and charger with the vehicle.



- Using the 24V rechargeable battery and charger for any other product may result in overheating, fire or explosion. Never use the 24V rechargeable battery and charger with another product.



- Explosive gases are created during charging. Charge the battery in a well ventilated area. Do not charge the battery near heat or flammable materials.

- Contact between the positive and negative terminals may result in fire or explosion. Avoid direct contact between the terminals. Picking up the battery by the wires or charger can cause damage to the battery and may result in a fire. Always pick up the battery by its case or handles.



- Liquids on the battery may cause fire or electric shock. Always keep all liquids away from the battery and keep the battery dry.
- Contact or exposure to battery leakage (lead acid) may cause serious injury. If contact or exposure occurs immediately call your physician. If the chemical is on the skin or in the eyes, flush with cool water for 15 minutes. If the chemical was swallowed, immediately give the person water or milk. Do not give water or milk if the patient is vomiting or has a decreased level of alertness. Do not induce vomiting.
- Battery posts, terminals and related accessories contain lead and lead compounds (acid), chemicals known to the State of California to cause cancer, reproductive harm and are toxic and corrosive. Never open the battery.
- Tampering or modifying the electric circuit system may cause a shock, fire or explosion and permanently damage the system. Exposed wiring, circuitry in the charger may cause electric shock. Always keep the charger housing closed.

## RECHARGE INTERVAL AND TIME Important!

- Damage to the battery may occur if it is allowed to drain completely. Do not allow the battery to drain completely.
- Check the battery and charger (supply cord, connector) for wear and damage before charging. Do not charge the battery if damage has occurred.
- On average you will need to charge the battery between 8 and 12 hours.
- Do not charge the battery for more than 20 hours. Failure to charge the battery as directed could cause permanent damage to the battery and void the warranty.
- Only an adult who has read and understood the safety warnings should handle, charge and recharge the battery.

Before using the vehicle the child should understand the vehicle controls and safety issues. They must also demonstrate the capability to handle the vehicle and operate its controls. It is the responsibility of the adult to educate the child and supervise the vehicles use. Read the following safety warnings to any child using the vehicle before riding.

### WARNING

- This toy was not suitable for Children under 6 years due to its maximum speed.
- To reduce the risk of injury, adult supervision is required.
- Never use in roadways, near motor vehicles, on or near steep inclines or steps, swimming pools or other bodies of water; always wear shoes, and never allow more than 1 rider(s)
- Protective equipment should be worn. Not to be used in traffic.
- Do not drive the vehicle into loose dirt, mud, sand or fine gravel and Only drive on level ground
- Always wear shoes when using the vehicle.
- Keep your hands, hair and clothes away from moving parts.

## USER REQUIREMENTS AND WARNINGS

Age	6+
Max Weight	( 60kgs)

## CARE WARNINGS

### WARNING

- Park the vehicle indoors or cover it with a tarp to protect it from wet weather.
- Do not leave the vehicle in the sun for long periods of time or fading may occur. Store in shade or cover with tarp.
- Do not wash the vehicle with a hose.
- Do not wash the vehicle with soap and water.
- Pay attention while driving the vehicle, avoid falls or collisions causing injury to the user or third parties.
- Please check the component parts before using, and make regularly examine the transformers or battery chargers for in the event of any damage on the cord, plug, enclosure and other parts, the vehicle shall not be used until the damage has been repaired, to avoid an accident.

## 2 Specifications

Name	specification
Battery	24V 10Ah*1
Motor	DC 24V*2
Suitable age	6+
Max weight	60KG
Body size	137CM*77CM*55CM
Speed	12km/h
Hours of use	charging 8-12 hours, using 1-2 hours
Charger	Input: 120-240V AC Output: DC 24V1000mA-1500mA
Main material	ABS(Acrylonitrile Butadiene Styrene), PA(Polyamide), PP(Polypropylene) and Iron

\*The above parameters contain optional features, specific parameters please refer to our samples.

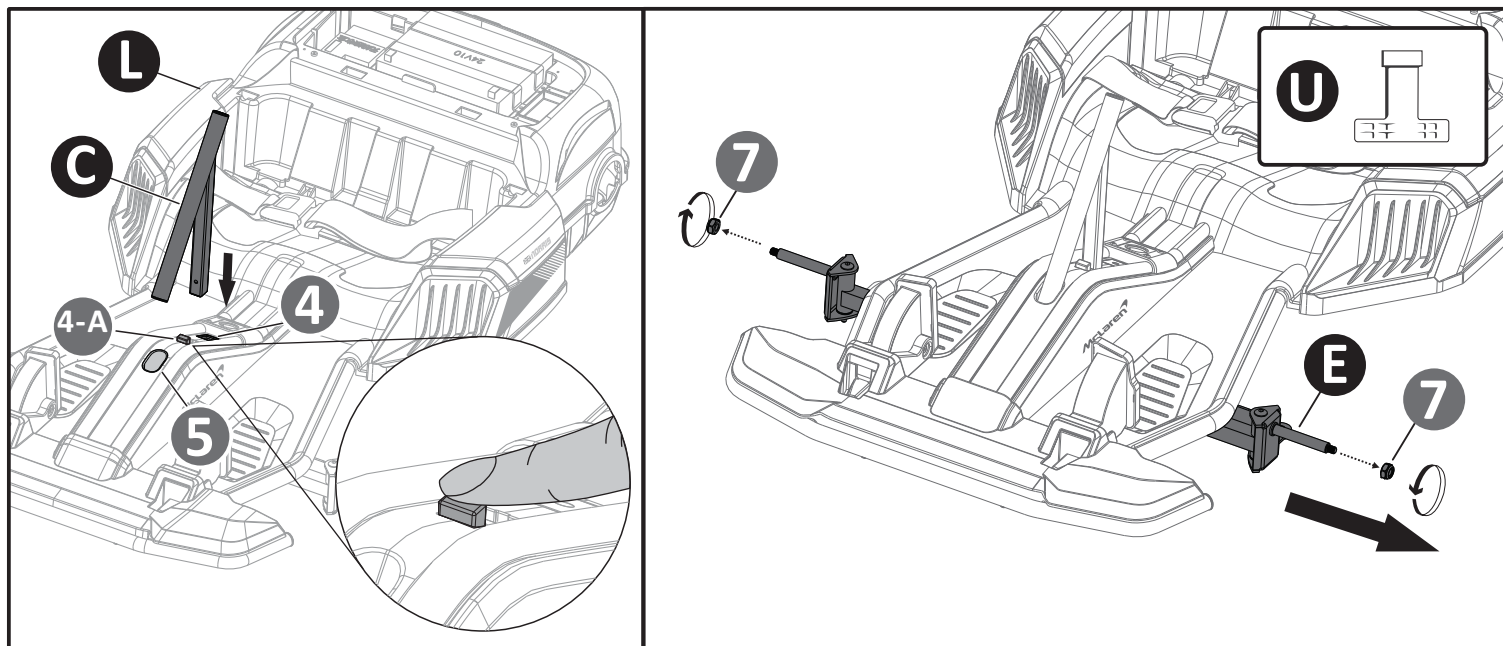
## 3 Parts

### Parts list

PART NO.	PART NAME	Q'ty(pcs)	REMARKS
<b>A</b>	Steering wheel	<b>1</b>	
<b>B</b>	Steering axle sleeve	<b>1</b>	
<b>C</b>	Steering axle support	<b>1</b>	
<b>D</b>	Front cover	<b>1</b>	
<b>E</b>	Front axle	<b>1</b>	
<b>F</b>	Steering axle	<b>1</b>	
<b>G</b>	Front bumper	<b>1</b>	
<b>H</b>	Front wheel	<b>2</b>	
<b>I</b>	Wheel cover	<b>4</b>	
<b>J</b>	Rear wheel	<b>2</b>	
<b>K</b>	Rear axle	<b>1</b>	
<b>L</b>	Car body	<b>1</b>	
<b>M</b>	Backrest	<b>1</b>	
<b>N</b>	Rear wheel fender - L	<b>1</b>	
<b>O</b>	Rear wheel fender - R	<b>1</b>	
<b>P</b>	Air inlet seat	<b>1</b>	
<b>Q</b>	Tail	<b>1</b>	
<b>R</b>	Charger	<b>1</b>	
<b>S</b>	Instruction book	<b>1</b>	
<b>T</b>	Screw	<b>14</b>	install M(backrest),P(air inlet seat),Q(tail)
<b>U</b>	M8 spanner	<b>2</b>	rotate the M8 nut at front and rear axle
<b>V</b>	Allen key	<b>1</b>	rotate the screw at E(front axle)
<b>W</b>	Flag	<b>1</b>	
<b>X</b>	connect part	<b>2</b>	
<b>Y</b>	screw	<b>2</b>	install E(Front axle)
<b>Z</b>	washer	<b>2</b>	install E(Front axle)
<b>Z1</b>	M8 nut	<b>2</b>	install E(Front axle)



#### 4 Assembly

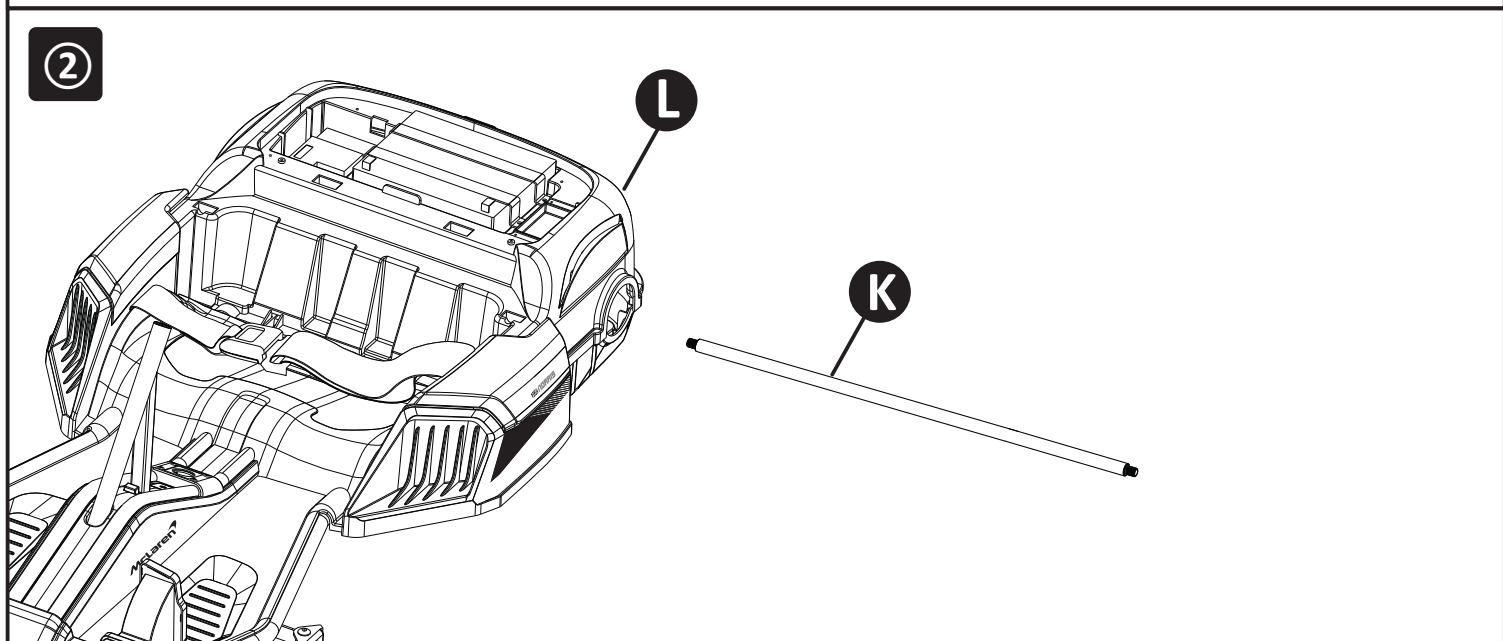
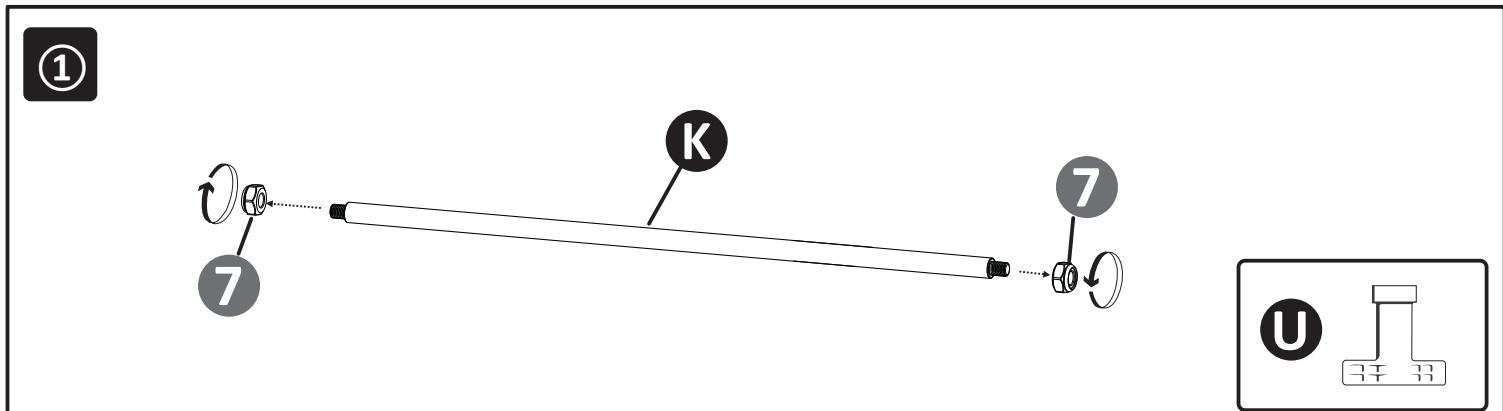


#### Step 2: Install steering axle support

Put the C (steering axle support) align with the 4 square hole and 5 round hole of the L (car body), in the meantime press down the 4-A switch, then insert the C down into place.

#### Step 3: Remove front axle Nut

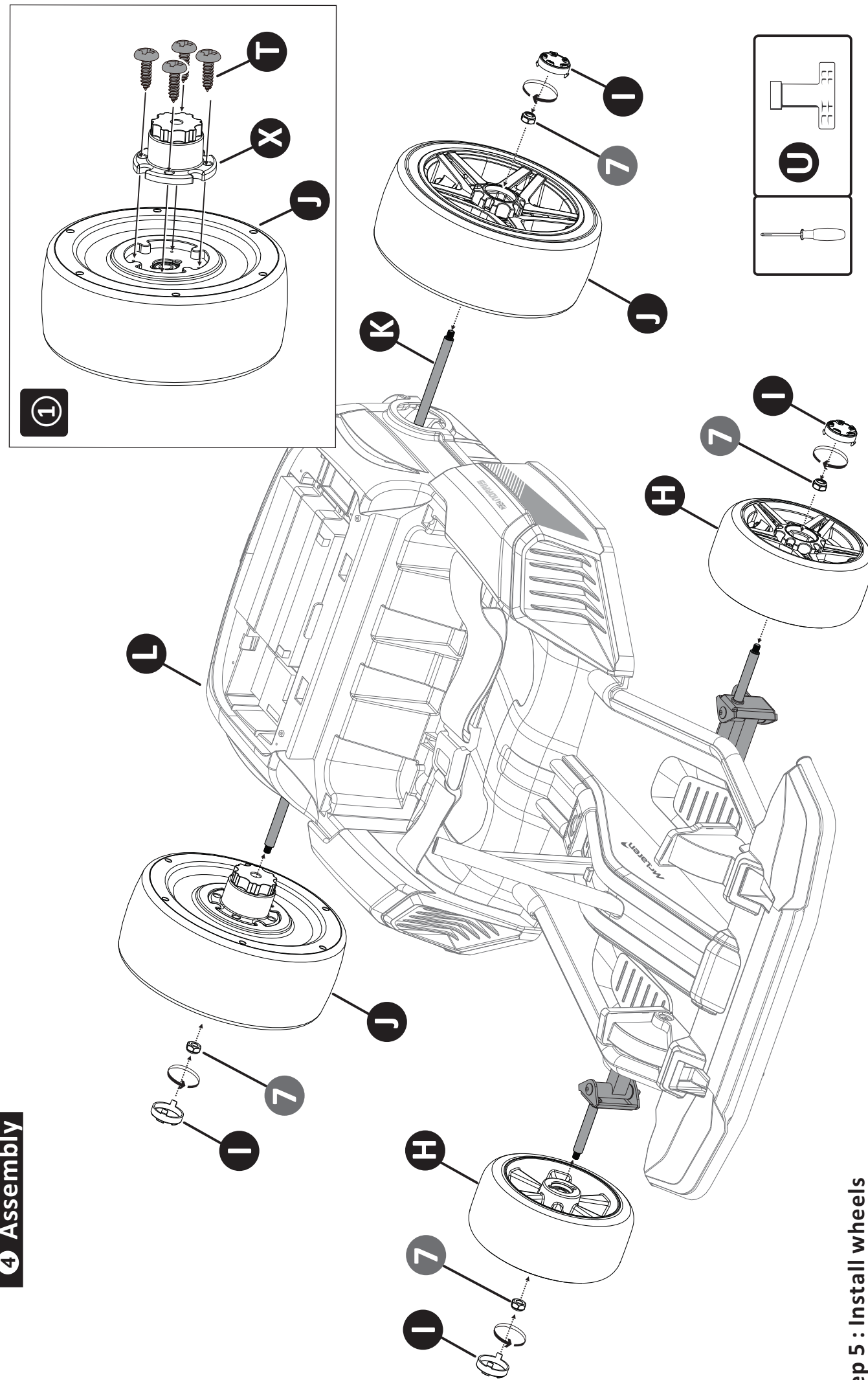
Use U (M8 spanner) to loosen 7 (M8 nut) in counterclockwise direction.



#### Step 4: Install rear axle

1. Use U (M8 spanner) to loosen two pieces of 7 (M8 nut) on the K (rear axle).
2. Insert the K (rear axle) into the L (car body) as shown in the diagram to ensure that both sides remain the same length.

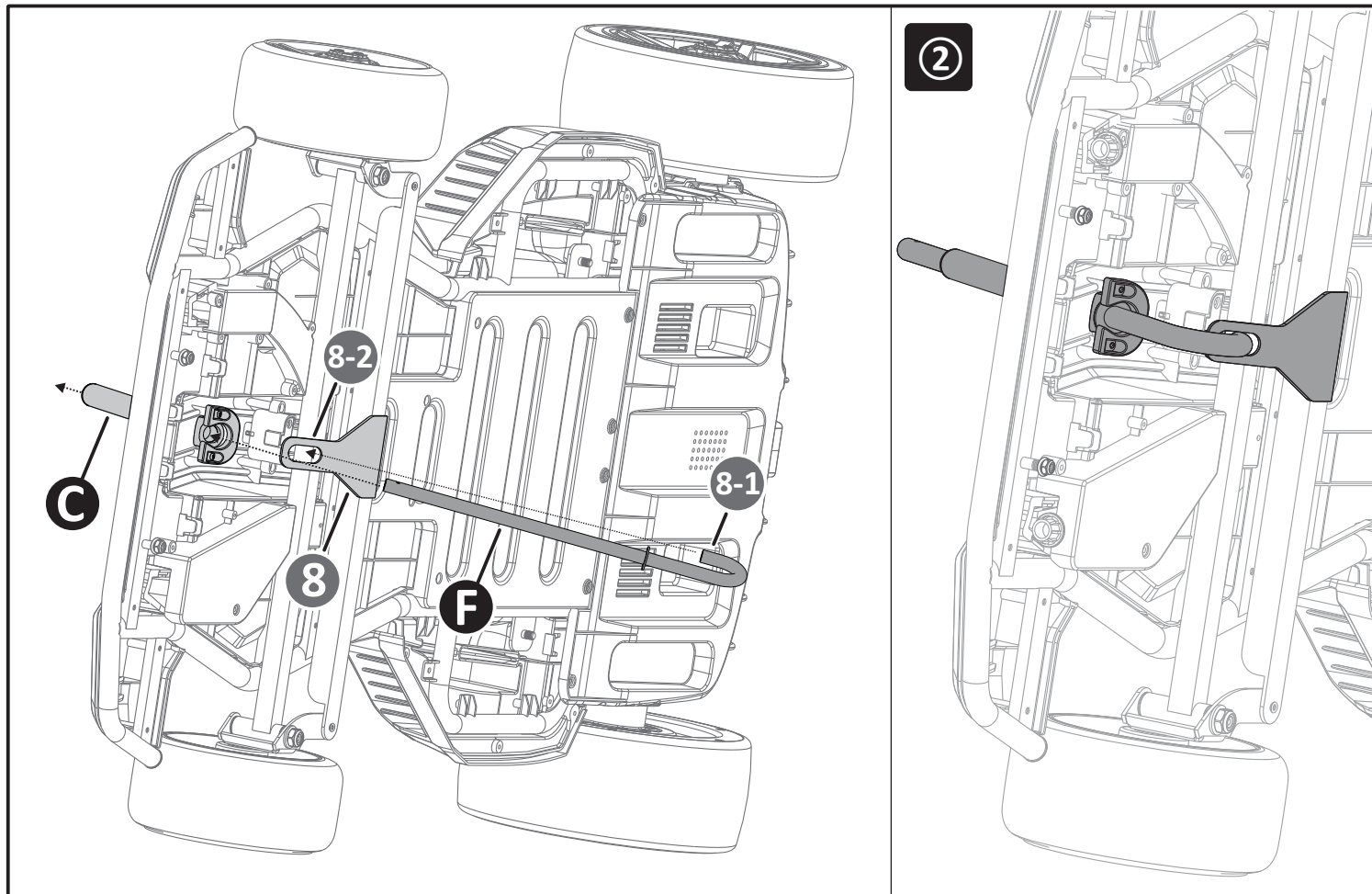
#### 4 Assembly



#### Step 5: Install wheels

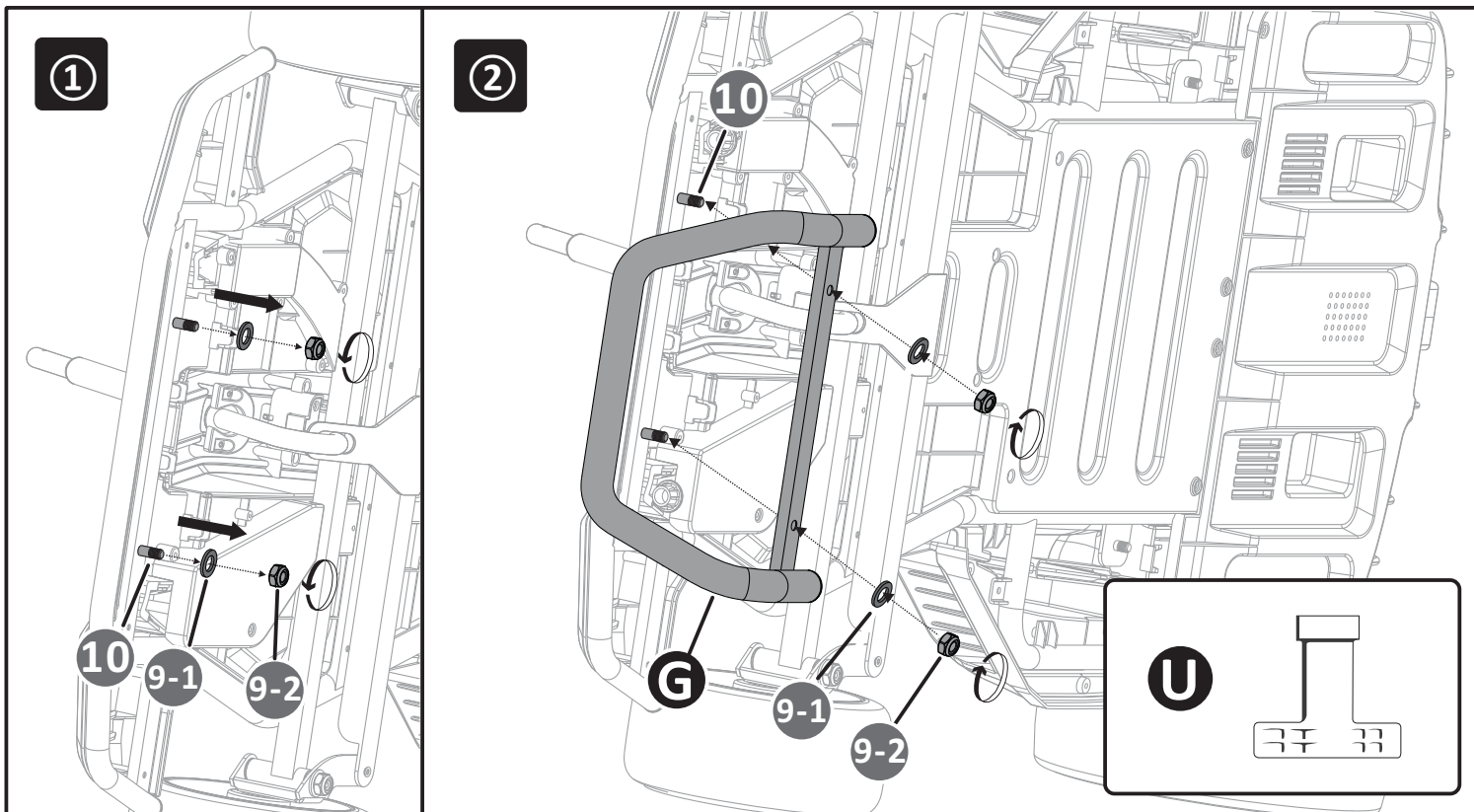
1. Install X (gear box connector) on J (rear wheel), then fix it with T (screw).
2. Install rear wheel: first install 2 pieces of J (rear wheel) on the left and right sides of the K (rear axle), use U (M8 spanner) to install 7 (M8 nut) on the rear axle, and finally install I (wheel cover) on the J (rear wheel)
3. Install front wheel: same installation method as for rear wheel.

#### 4 Assembly



#### Step 6: Install Steering Axel

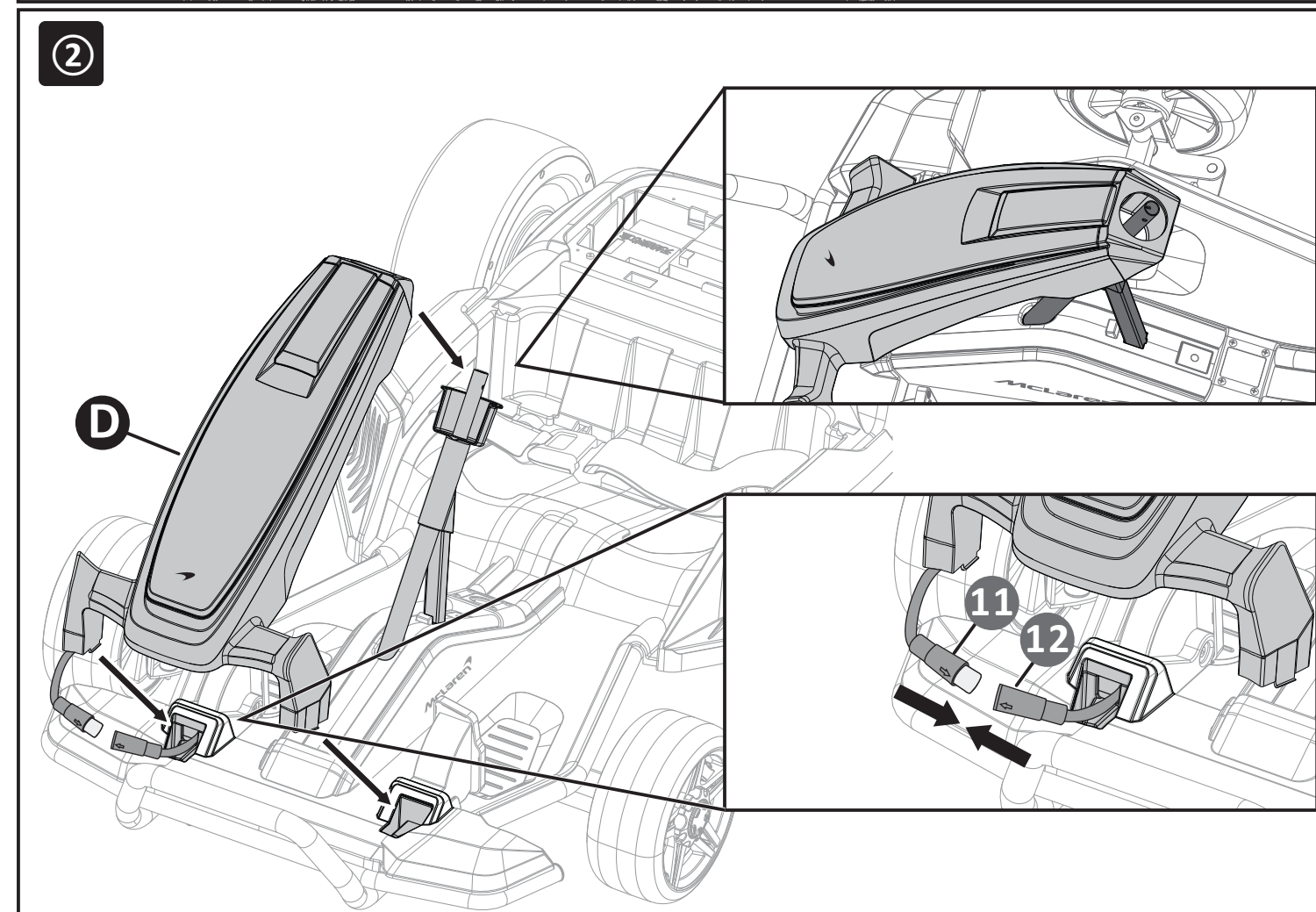
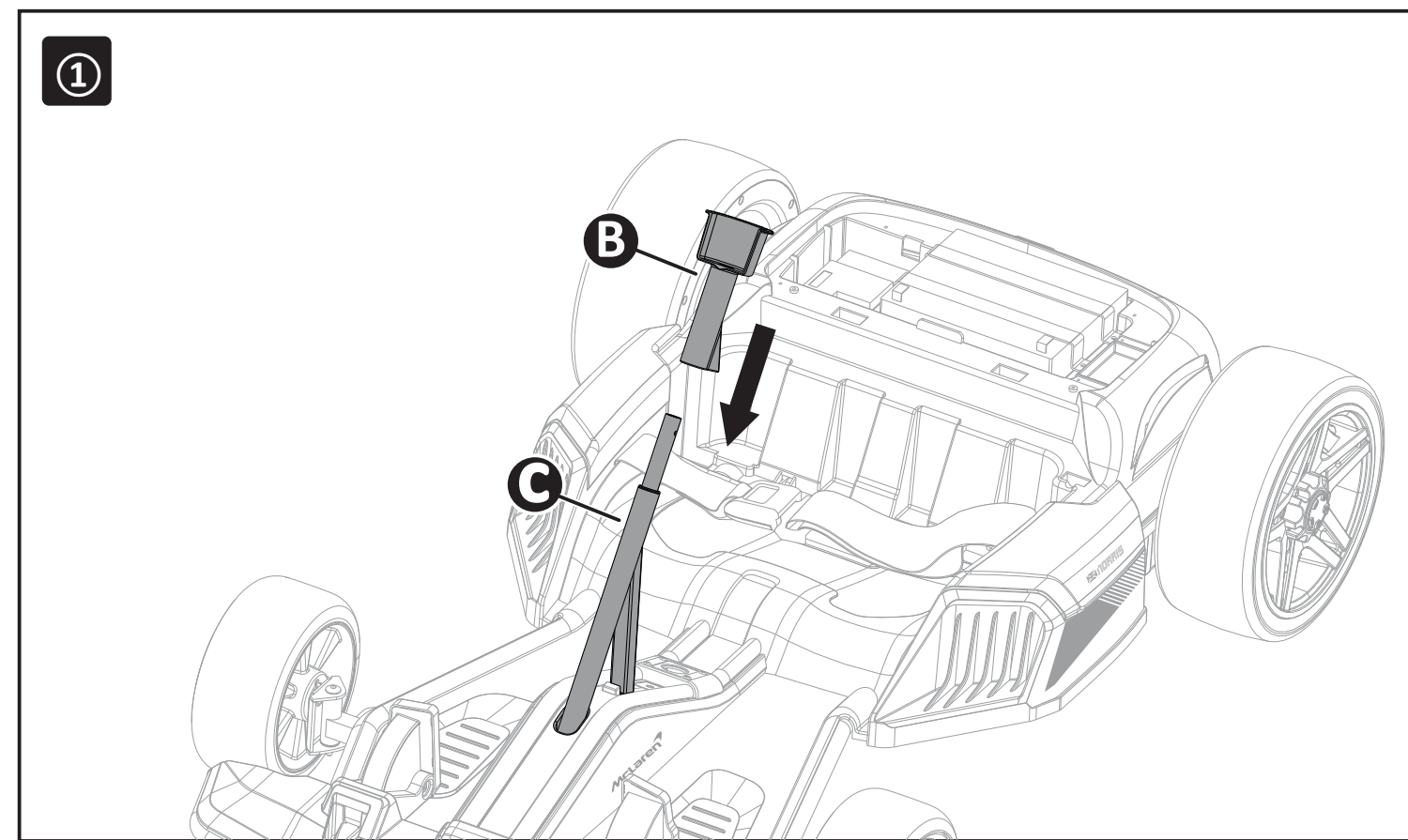
1. First turn the car body over as shown.
2. Insert F (steering axle) through 8 and C (steering axle support),(The 8-1 rod of F inserted into the 8-2 hole. The complete picture please check picture 2.)



#### Step 7: Install Front Bumper

1. First, unscrew the 9-2 (M8 nut) from part 10 by counterclockwise, then take off the 9-1 (washer).
2. Align the two holes of G to 10, then screw the 9-2 (M8 nut) with U (M8 wrench) by clockwise.

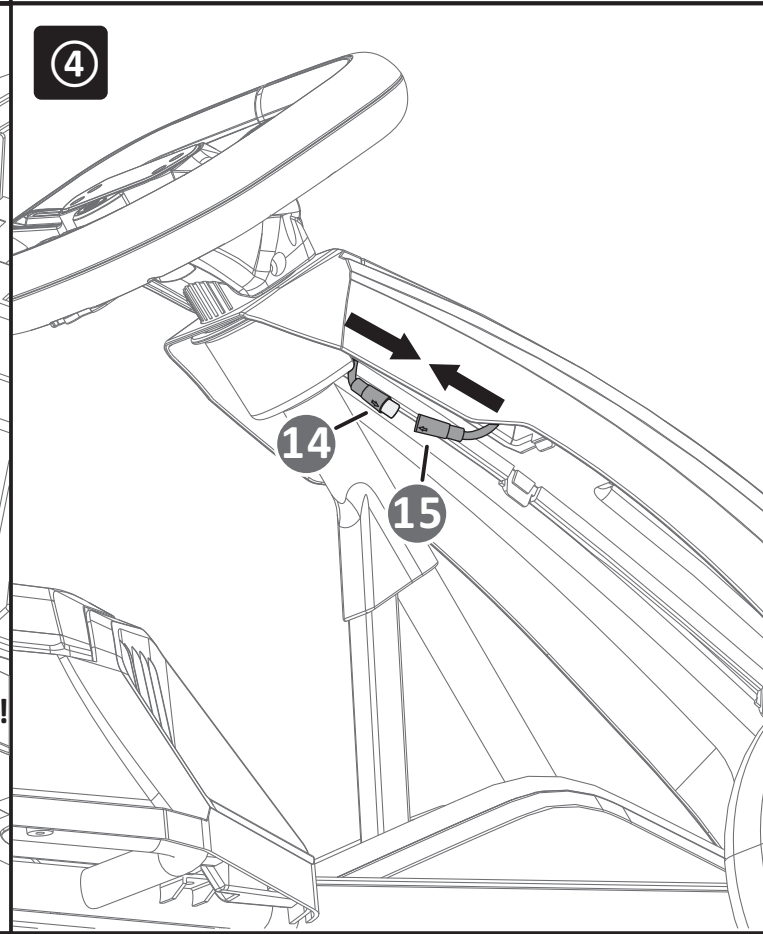
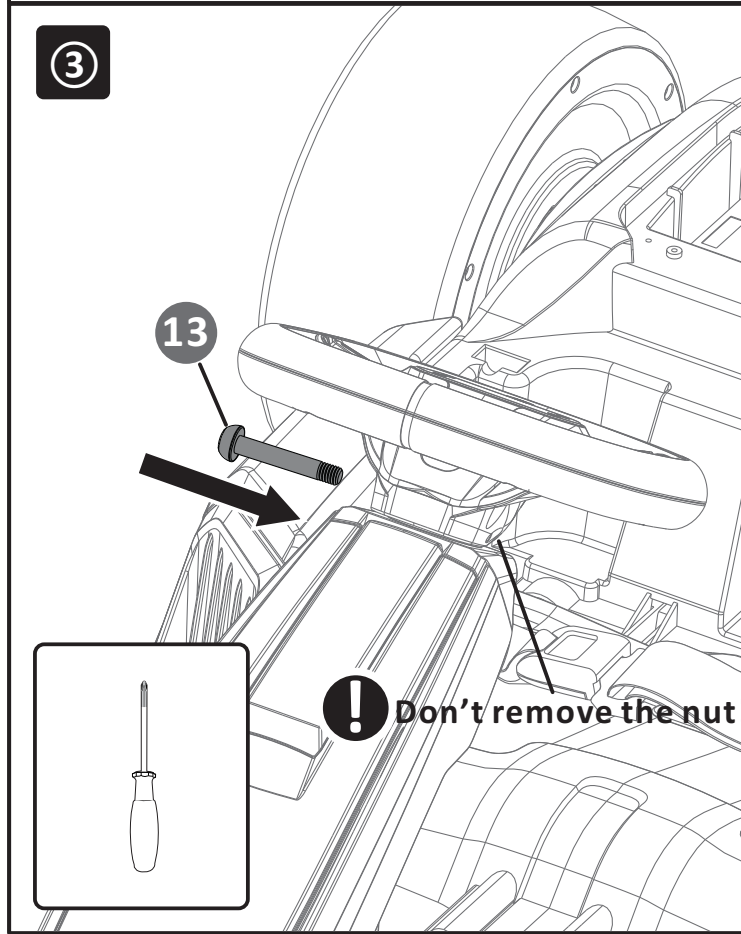
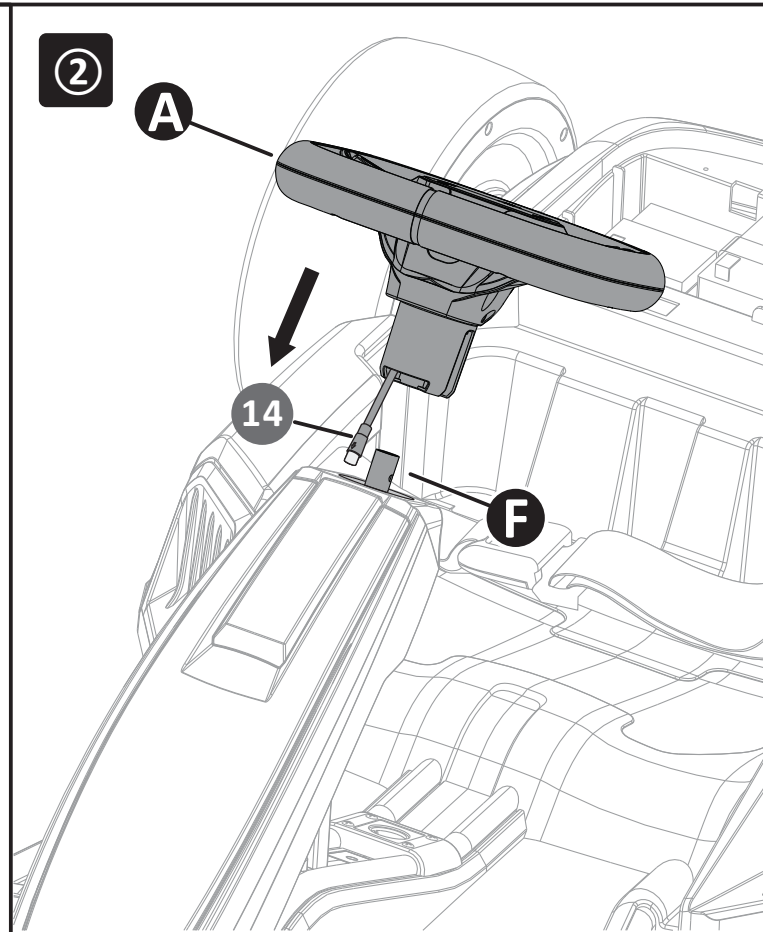
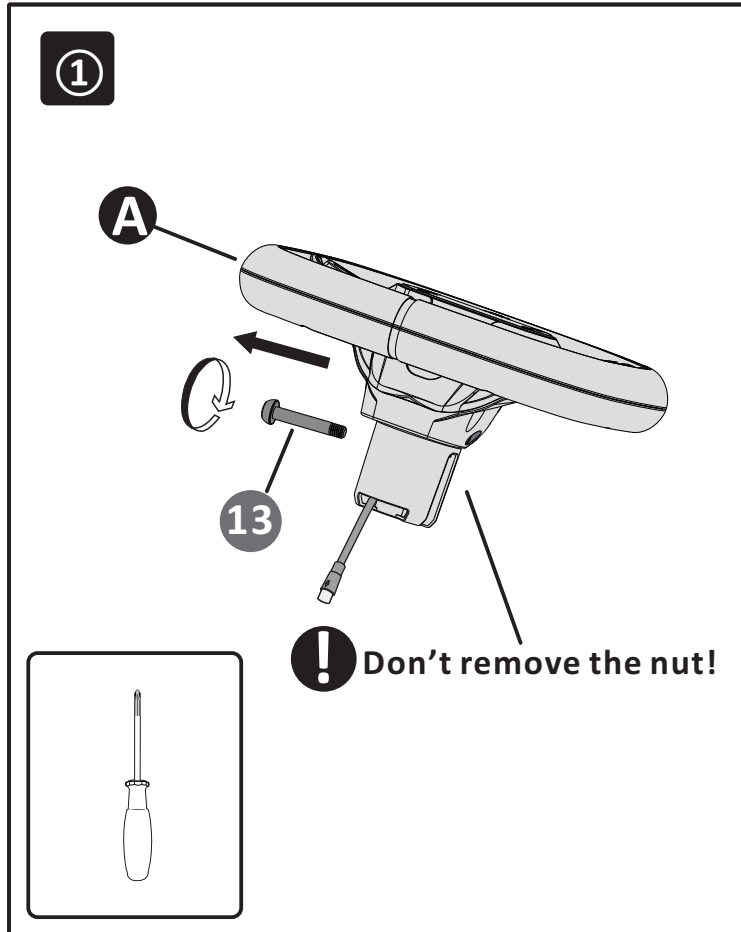
#### 4 Assembly



#### Step 8: Install Front cover

1. First put B (steering axle sleeve) on C (steering axle support).
2. First, connect the terminal 11 on D(front cover) to terminal 12 on the car body, then install D(front cover) on the car body and the steering axle as shown in the figure.

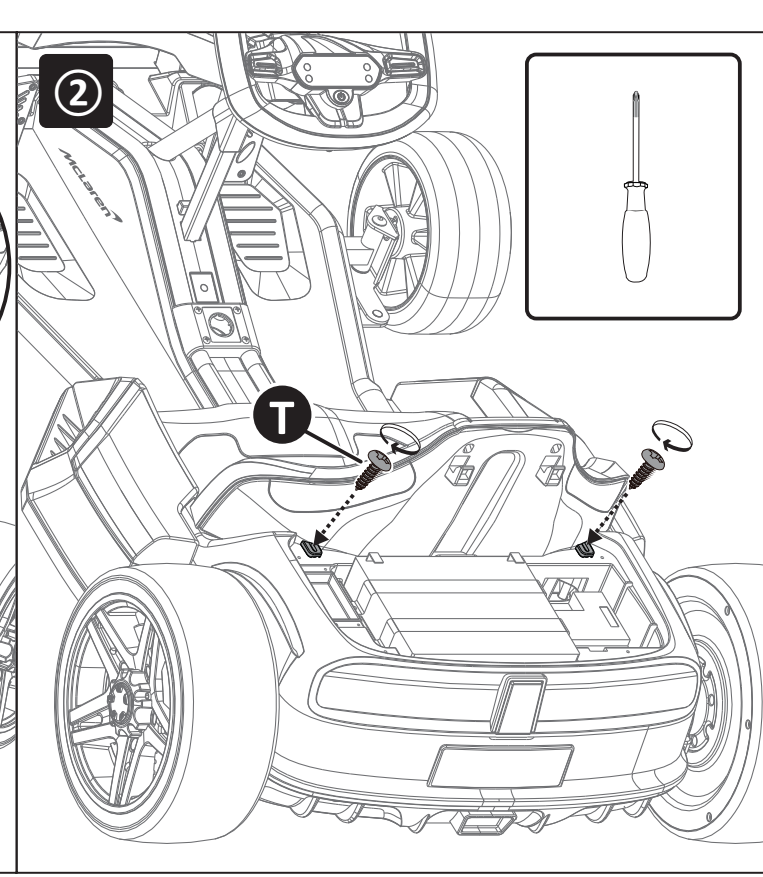
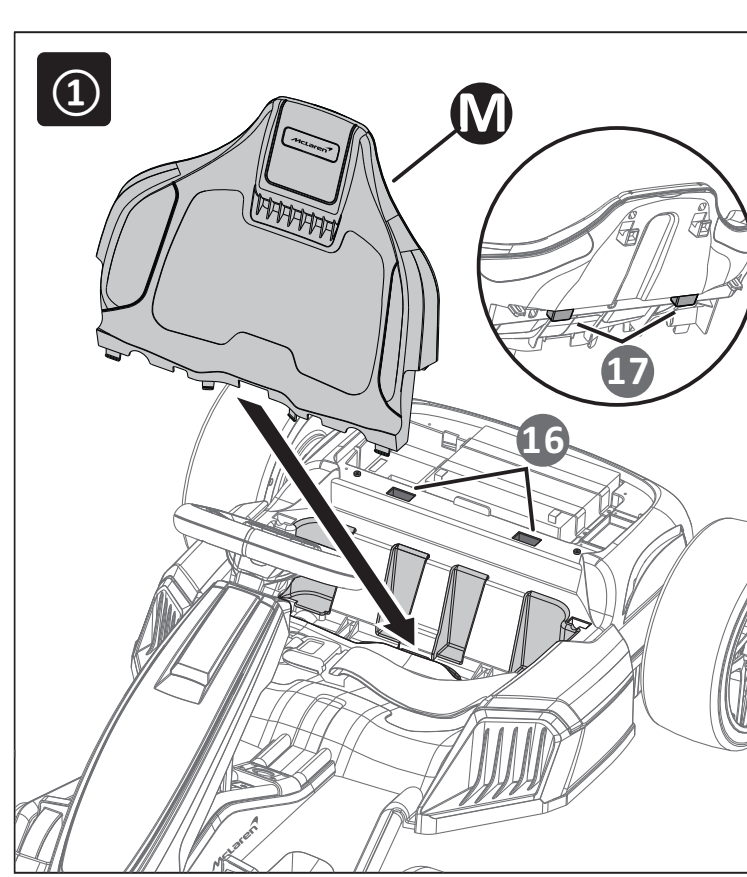
#### 4 Assembly



#### Step 9: Install Steering Wheel

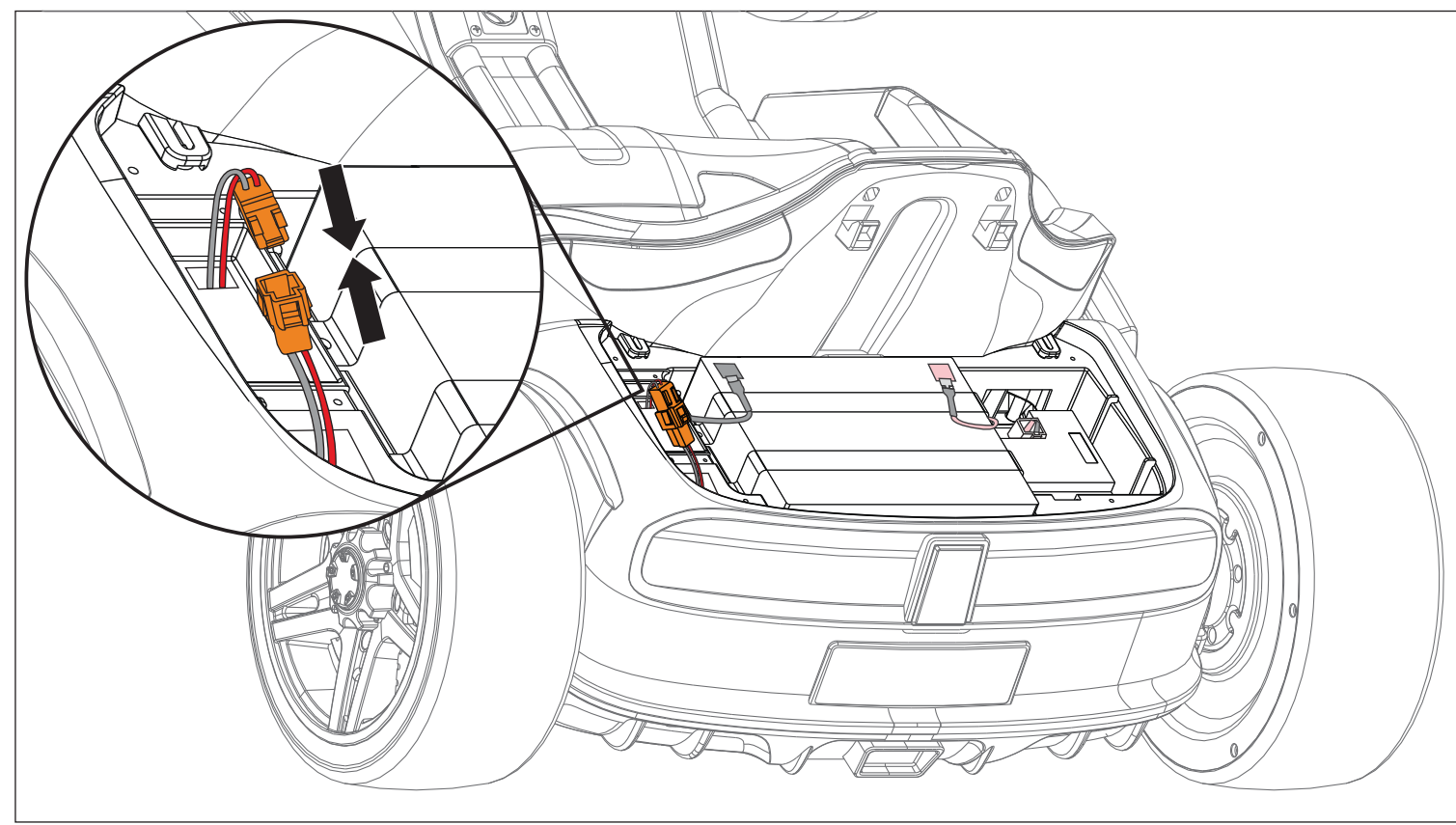
1. First, use screwdriver to unscrew 13 (screw) from A (steering wheel) by anticlockwise.
2. Insert the terminal 14 into the hole on the front cover, then install the A (steering wheel) onto the F (steering axle).
3. Install 13 (screw) onto A (steering wheel) as shown in the figure.
4. Connect the terminal 14 of the steering wheel to the terminal 15 of the car body.

#### 4 Assembly



#### Step 10: Install Backrest

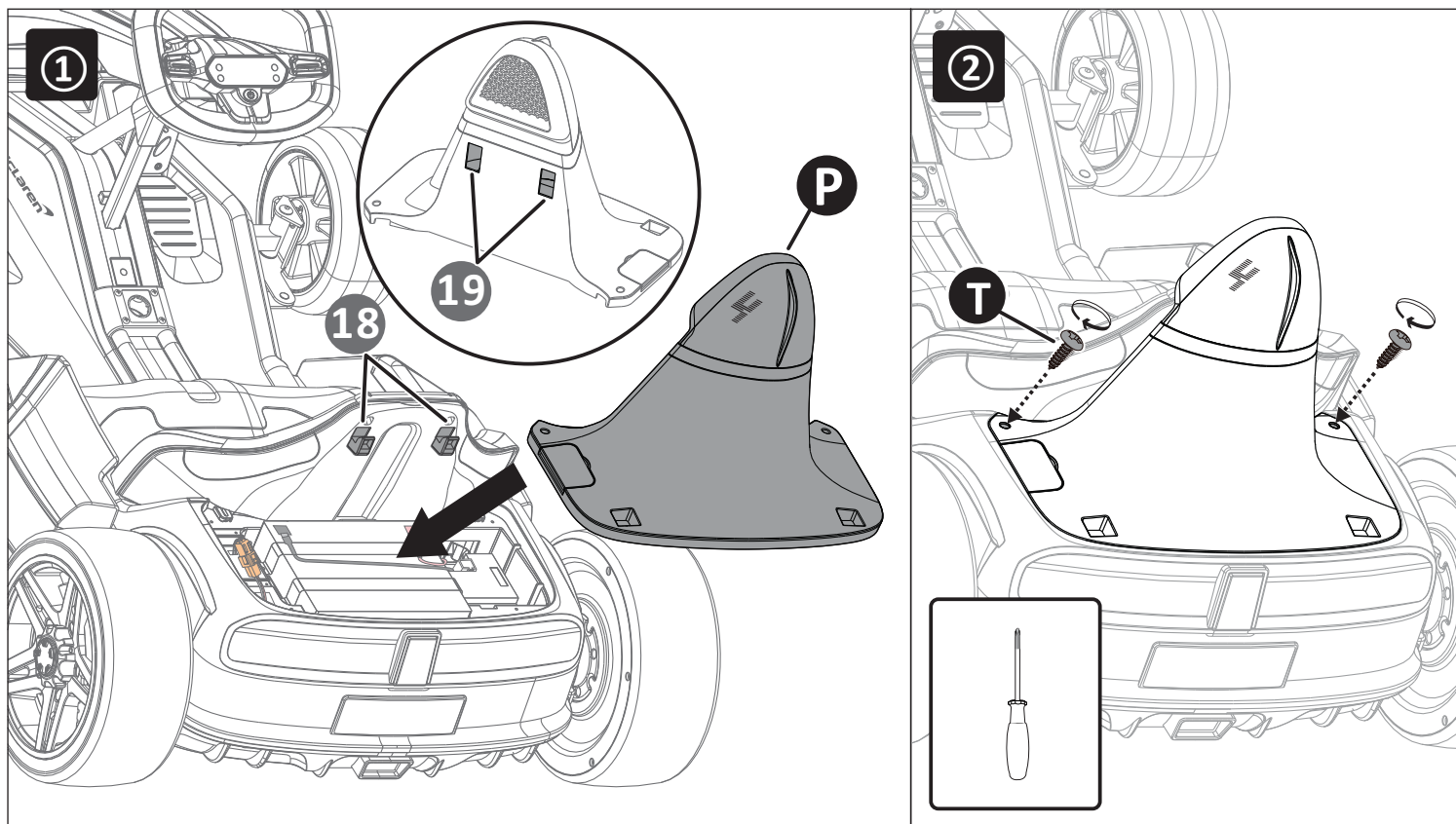
1. Install M (backrest) to the position as shown in the figure, 17 on the backrest need to be aligned with 16 on car body.
2. Install T (screw) in the place as shown in the figure.



#### Step 11: Power on

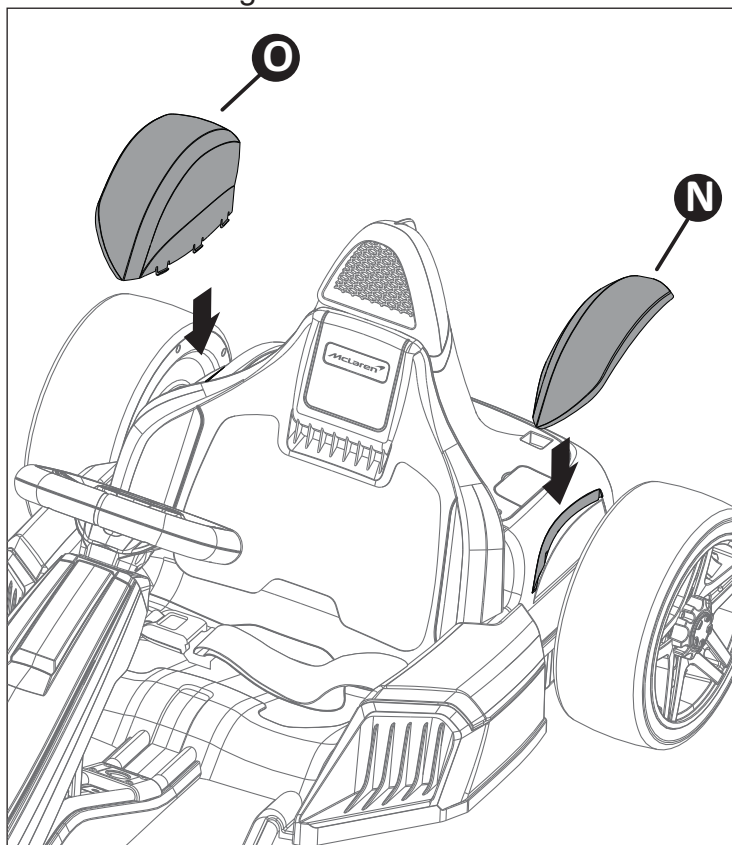
First find two orange terminals, connect the two orange terminals can start the power supply.

## 4 Assembly



### Step 12: Install the air intake seat

1. Install the P (air intake seat) into the body as the arrow shows. Install the 19 of the P (air intake seat) on the 18 of the seat back.
2. Secure it with 2 T screws in the clockwise as shown in the figure.

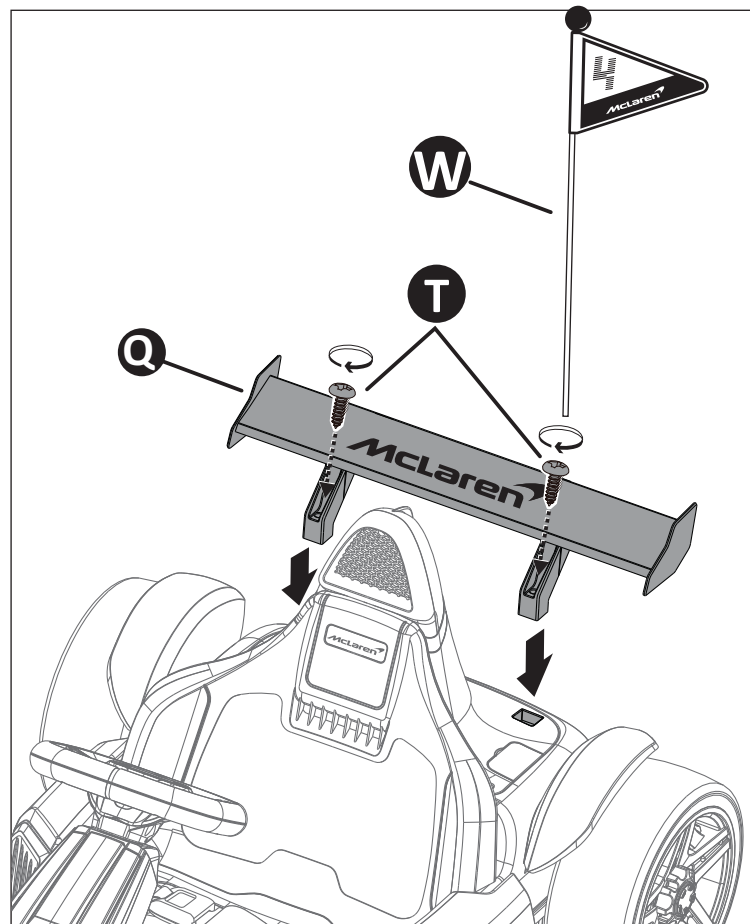


### Step 13: Install the fender

Install N (left fender) and O (right fender) onto the body as shown in the picture.

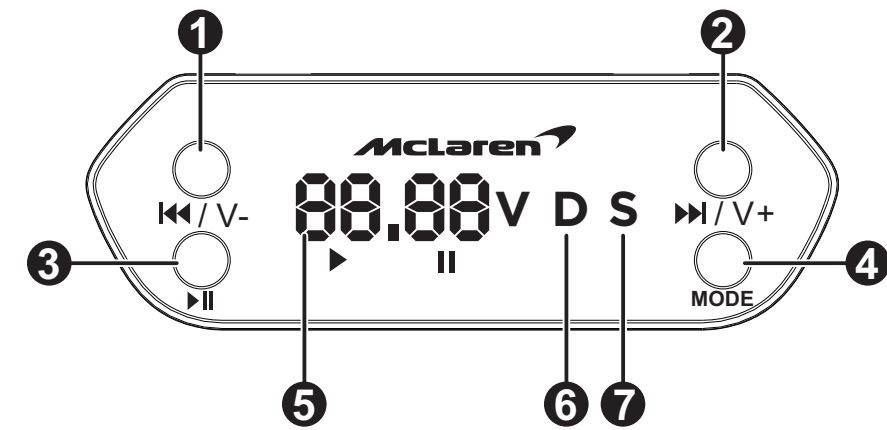
### Step 14: Install the rear tail wing and flag

Install the Q (rear tail wing) into the two holes of the air intake seat as shown in the figure, then install the two T (self-tapping screws) clockwise as shown in the figure, and finally insert the W (flag) into the round hole of the rear tail wing.



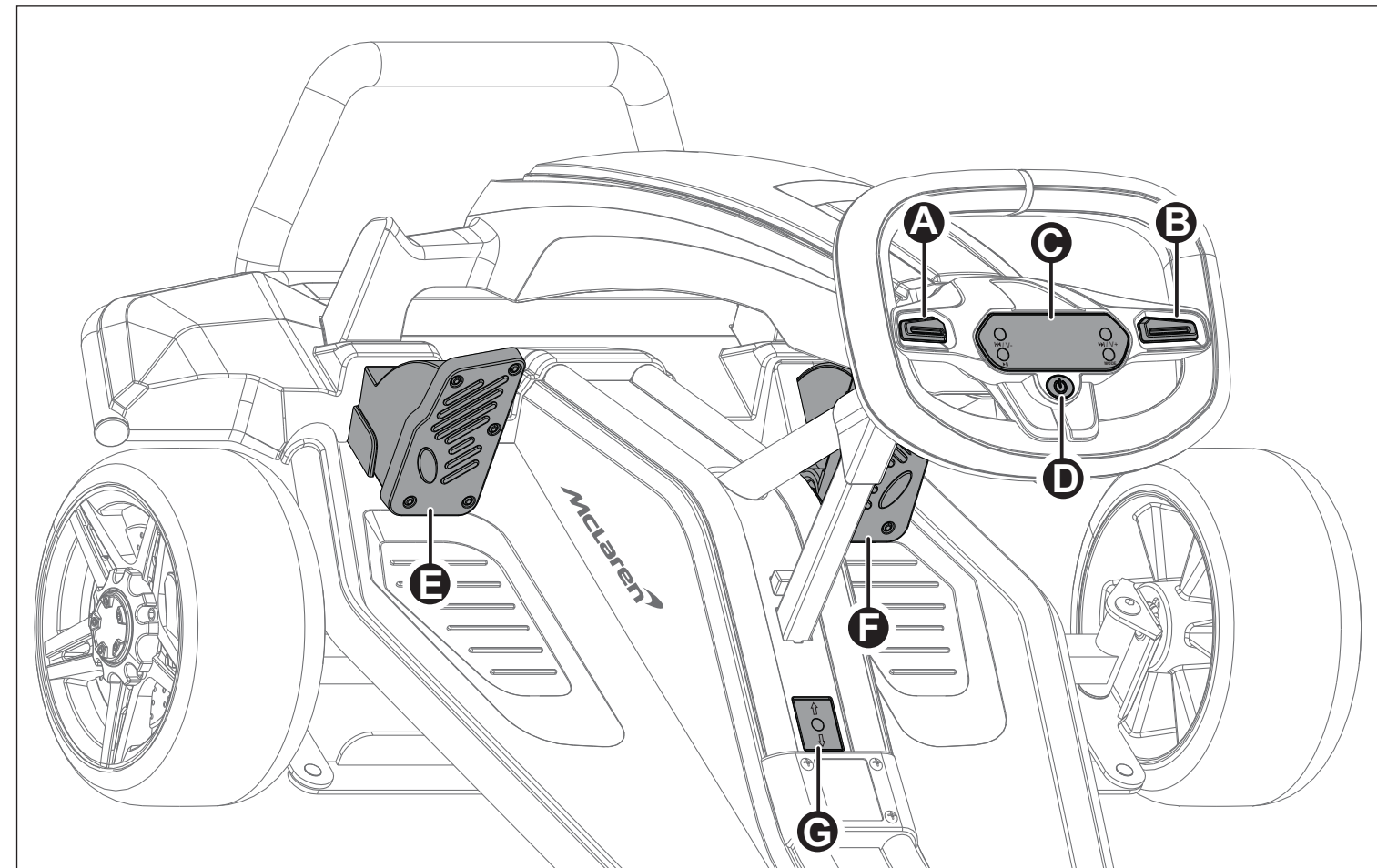
## 5 Operation

### 1. Multimedia Instructions



p.s 1-4 is inductive switch.

1. ◀◀ /V- Previous /VOL down: short press to play the last channel, long press to lower the volume.
2. ▶▶ /V+Next/ VOL up: Next channel / Volume up: short press to play the next channel, long press to increase the volume.
3. ▶|| Short press to play/pause music, In FM mode, Long press to automatically seek a radio station.
4. MODE: Switch between Music, FM, Bluetooth: Press this button can switch between different play modes( Music, FM, Bluetooth).
5. Voltage display: can display the voltage.
6. Drive mode indicator light: This light will light up in Drive mode.
7. Sport mode indicator light: This light will be on in Sport mode mode.



### 2. Instruction of User Switches and Buttons

- A. Drive mode: The Drive mode indicator light on, the car is in low speed mode.
- B. Sport mode: The sport mode indicator lights on, the car in high speed mode.
- C. The display screen
- D. Power switch: Long press for 3 seconds to power on/off
- E. Brake: press the brake to brake the car.
- F. Gas pedal : Press the gas pedal forward/reverse, release the gas pedal ,the car will come to a gradual stop.
- G. Forward and reverse switch



## 5 Operation

### 3. Direction for use

1. Forward/reverse switch is an inductive switch: when the finger is placed on the groove, the forward/reverse mode is automatically switched. When the forward indicator light (blue light) is on, it is forward mode, and when the reverse indicator light (red light) is on, it is reverse mode.
2. FM radio function: press button 4 (mode) to enter the FM mode; Long press 3 (▶▶) to automatically seek a radio station. This process takes a while to automatically search the station and save. When the search is complete, the car will automatically play the first radio station. Short press button 2 (▶▶ /V+ button), will play the next channel; short press button 1 (◀◀ /V- button), will play the last channel; Long press button 2 (▶▶ /V+ button), will increase the volume; long press button 1 (◀◀ /V- button), will lower the volume; short press button 3 (▶▶) button), can stop playing, short press this button again, can restart play it.
3. Bluetooth:  
Step 1: Place your desired audio device near the media player and press the car's power button.  
Step 2: Press "Mode" on the media player and wait until you hear the cue voice.  
Step 3: On your desired audio device, locate the Bluetooth settings and select the device named " CSCC-24"  
Step 4: There is a tip tone once the frequency is succeeded, select the desired song.

### 4. Operation guide for Manual control (Forward, Reverse):

Driver sit down and fasten the seat belt. Long press the Power switch, the display light is on, default is forward mode, Press the gas pedal, the car will move forward, release the gas pedal, the car will stop. Press the brake, the car will stop. Press the forward/reverse switch to the reverse mode, the car will move backward, release the gas pedal, the car will stop. Long press the power switch again to turn off the power.

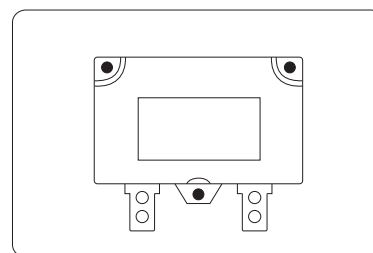
### 5. The illustration of Drive/Sport mode:

Power on, default is forward sport mode, When the screen shows "S", press the gas pedal, the car will forward fast, release the gas pedal, the car will stop, press the Drive mode button on the steering wheel, switch to Drive mode, When the screen shows "D", press the gas pedal, the car will forward at a slower speed, release the gas pedal, the car will stop. Press the sport mode switch again, will switch to sport mode.

**\* ONLY one speed for reverse, the Drive/SPORT switch can not control the reverse speed. Every time when power on, by default, the car will move forward in high speed.**

### 6. Instructions of the recoverable fuse

Resettable fuse: when the current exceeds a certain rating, the recoverable fuse will automatically cut off the power supply for 5-60seconds, then the current will be resupplied.



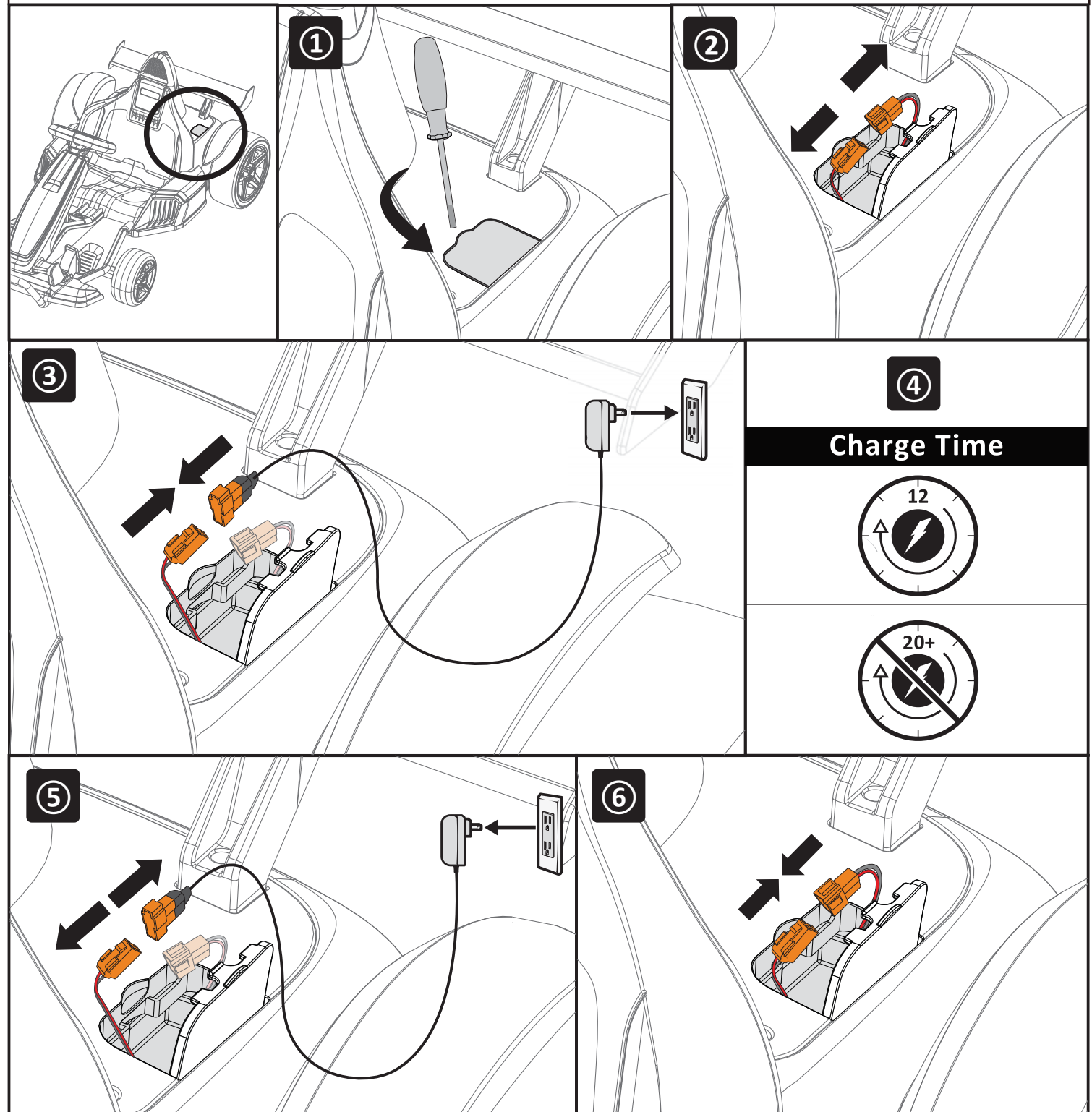
### ⚠ WARNING

**RISK OF FIRE.** Do not bypass fuse. This may overload and damage the electrical system. Replace only with original size and type.

## 6 Charging Instructions

### ⚠ WARNING!

- Please plug wall charger directly into a wall outlet. Do not use an extension cord.
- When the battery voltage is less than 14V, the car will cue 10 times of "Battery is low please re charging car", remind every 30 seconds, then please stop the driving, to charge the car in time. in order to prevent the battery damage caused by excessive discharge. After the car cued 10 times "low power", it will cue again 2 times of "Low voltage will shut down", reminder every 30 seconds. Then the car will automatically turn off after about 30 seconds.



### When the battery is low, please charge it immediately.

1. Please find and open the charging hole cover with a driver as shown in the picture.
2. Press the [2] hook to disconnect the power supply terminal.
3. Connect the charger terminal to the power supply terminal.
4. It can be fully charged within 12 hours (note: Charge it for no more than 20 hours).
5. Firstly please unplug the charger plug out of the socket, then Unplug the charger terminal.
6. Connect the power supply terminal, and close the Charging hole cover. (note: this toy cannot be operated, under charging and should be charged by adults)

## 7 Troubleshooting Guide

Fault type	Reason analysis	Trouble elimination methods
The motor does not rotate	<ol style="list-style-type: none"> <li>1. Is the fuse overloaded?</li> <li>2. The pedal switch connector is good?</li> <li>3. The welding of motor electric terminal is good?</li> <li>4. The connector of the motor wire is good.</li> <li>5. Remove the motor's plug-in, change to connect battery directly, then check if it rotate or not.</li> </ol>	<ol style="list-style-type: none"> <li>1. Yes, the fuse cuts off the power automatically by 5-20 seconds, then restart; No, check next reason analysis</li> <li>2.No, repair foot switch ; Yes, check next reason analysis</li> <li>3. No, weld the terminal wire ; Yes, check next reason analysis</li> <li>4.No, plug in the plug-in ; Yes, check next reason analysis</li> <li>5.Still no rotation, change the motor; If rotates, it means driving circuit board needs professional maintenance, please contact with agent</li> </ol>
Only move frontwards, or only move backwards	<ol style="list-style-type: none"> <li>1. Check the frontward/backward switch, check the connector is good or not by multimeter</li> <li>2. Check the drive line cycle of frontward/bckwards is workable or not?</li> </ol>	<ol style="list-style-type: none"> <li>1.No, replace the control board; Yes, check next reason analysis</li> <li>2.No, connect the line; Yes, it means driving circuit board needs professional maintenance, please contact with agent</li> </ol>
slow speed	<ol style="list-style-type: none"> <li>1. Check the battery voltage is ok or not.</li> <li>2. Connect the motor (including the driving gearbox) to the battery, then check the speed can be accelerated or not.</li> </ol>	<ol style="list-style-type: none"> <li>1.No, charger the battery ; Yes it's ok, check next reason analysis</li> <li>2. No, check next reason analysis ; Yes, it means driving circuit board needs professional maintenance, please contact with agent</li> </ol>
The battery can not be recharged	<ol style="list-style-type: none"> <li>1. The battery connector fall off or loosened.</li> <li>2. The charger has a slight heat when it is charged</li> </ol>	<ol style="list-style-type: none"> <li>1. Yes, reconnect it, No, check next reason analysis</li> <li>2.No, the charger is broken, replace it</li> </ol>
When car is moving, the sound and light are useless	<ol style="list-style-type: none"> <li>1. check the sound/light switch is ok or not.</li> <li>2. check the electric wire connection (from battery to headstock) is good or not?</li> </ol>	<ol style="list-style-type: none"> <li>1.No, replace the control board; Yes, check next reason analysis</li> <li>2. No, reconnect; Yes, check next reason analysis</li> </ol>
When wheel running, the car does not move	<ol style="list-style-type: none"> <li>1. check the driving wheel can be rotated or not?</li> <li>2. Check the gearbox, if any gear is damaged?</li> </ol>	<ol style="list-style-type: none"> <li>1. Yes, lay the wheel to the ground; No, checks the next reason analysis</li> <li>2. Yes, replace the gear box; No, checks the next reason analysis</li> </ol>
Car is unstable, moving on and off	<ol style="list-style-type: none"> <li>1. Does the driver exceed the maximum load weight?</li> <li>2. Does the driver ride on the rugged road?</li> <li>3. Check the wheel can rotate freely?</li> </ol>	<ol style="list-style-type: none"> <li>1.Yes, should follow the instruction, the car unsuitable for exceed max weight; No, check the next reason analysis.</li> <li>2.Yes, should follow the instruction, ride on the flat cement road; No, check the next reason analysis.No; Troubleshooting wheel and axle.</li> <li>3.Slightly loosen wheel axle nut if the wheel does not spin freely.</li> </ol>

### FCC Warning Statement

Changes or modifications not expressly approved by the party responsible for compliance could void the user's authority to operate the equipment. This equipment has been tested and found to comply with the limits for a Class B digital device, pursuant to Part 15 of the FCC Rules. These limits are designed to provide reasonable protection against harmful interference in a residential installation. This equipment generates uses and can radiate radio frequency energy and, if not installed and used in accordance with the instructions, may cause harmful interference to radio communications. However, there is no guarantee that interference will not occur in a particular installation. If this equipment does cause harmful interference to radio or television reception, which can be determined by turning the equipment off and on, the user is encouraged to try to correct the interference by one or more of the following measures:

-- Reorient or relocate the receiving antenna.

-- Increase the separation between the equipment and receiver.

--Connect the equipment into an outlet on a circuit different from that to which the receiver is connected.

-- Consult the dealer or an experienced radio/TV technician for help.

This device complies with part 15 of the FCC Rules. Operation is subject to the following two conditions: (1) This device may not cause harmful interference, and (2) this device must accept any interference received, including interference that may cause undesired operation.

The device has been evaluated to meet general RF exposure requirement. The device can be used in portable exposure condition without restriction.