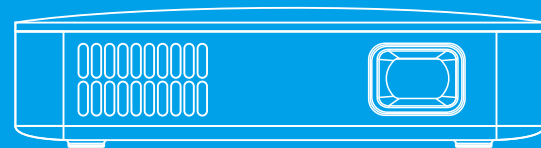
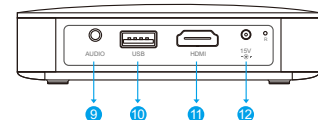
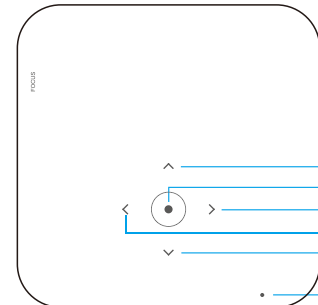
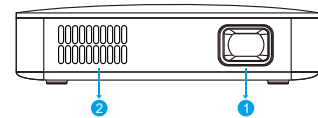


AOME Projector S200



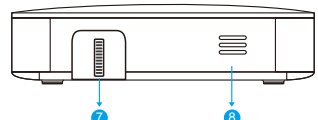
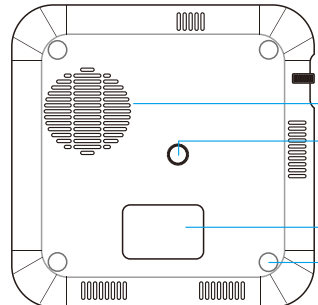
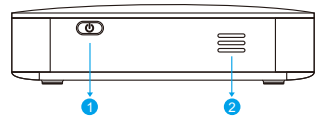
QUICK GUIDE

LOCATION OF PARTS AND CONTROLS



- 1: Lens
- 2: Air outlet
- 3: Up
- 4: Confirm
- 5: Right
- 6: Left
- 7: Down
- 8: Power indicator
- 9: Audio output(3.5mm)
- 10: USB input/Power out
- 11: HDMI input
- 12: DC input (15V/1.5A)

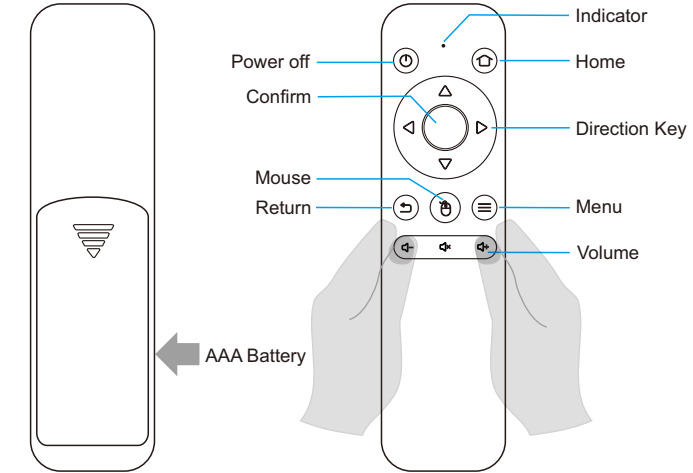
LOCATION OF PARTS AND CONTROLS



- 1: Power
- 2: Speaker
- 3: Air inlet
- 4: Tripod dock
- 5: Rating Label
- 6: Non-slip mat
- 7: Focus wheel
- 8: Speaker

REMOTE CONTROL

The 2.4G wireless remote control must be paired with projector before using. Within 2 minutes after power on, press and hold the Vol+ and Vol- around 3 seconds, then the indicator light in the remote will be flashing quickly, when the quick flashing stopped, it will pair successfully.



FCC Statement

This device complies with Part 15 of the FCC rules. Operation is subject to the following two conditions: 1) this device may not cause harmful interference, and 2) this device must accept any interference received, including interference that may cause undesired operation.

Note: This equipment has been tested and found to comply with the limits for a Class B digital device, pursuant to part 15 of the FCC Rules. These limits are designed to provide reasonable protection against harmful interference in a residential installation. This equipment generates uses and can radiate radio frequency energy and, if not installed and used in accordance with the instructions, may cause harmful interference to radio communications. However, there is no guarantee that interference will not occur in particular installation. If this equipment does cause harmful interference to radio or television reception, which can be determined by turning the equipment off and on, the user is encouraged to try to correct the interference by one or more of the following measures:

- Reorient or relocate the receiving antenna.
- Increase the separation between the equipment and receiver.
- Connect the equipment into an outlet on a circuit different from that to which the receiver is connected.
- Consult the dealer or an experienced radio/TV technician for help.

Changes or modifications not expressly approved by the party responsible for compliance could void the user's authority to operate the equipment.

Radiation Exposure Statement

This device complies with RF radiation exposure limits set forth for an uncontrolled environment. This transmitter must not be co-located or operating in conjunction with any other antenna or transmitter.

IC Note:

This device complies with Industry Canada's licence-exempt RSSs. Operation is subject to the following two conditions:

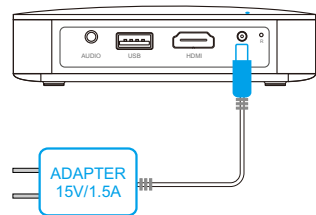
- (1) This device may not cause interference; and
- (2) This device must accept any interference, including interference that may cause undesired operation of the device.

Cet appareil est conforme aux CNR exemptes de licence d'Industrie Canada. Son fonctionnement est soumis aux deux conditions suivantes :

- (1) Ce dispositif ne peut causer d'interférences ; et
- (2) Ce dispositif doit accepter toute interférence , y compris les interférences qui peuvent causer un mauvais fonctionnement de l'appareil.

CHARGING

Please use the original charger, and fully charge the battery when first use.

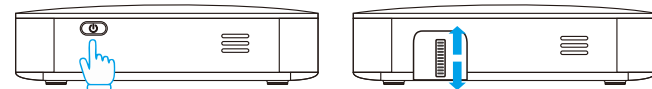


INDICATOR LED:

- 1, RED LED flashing: Battery Low.
- 2, RED LED on: In charging.
- 3, White LED on: Completed charging.

POWER BUTTON

Press and hold the switch button 3 seconds both for turn on and turn off. The main menu of the projector will display the remaining capacity of battery.



FOCUS ADJUSTMENT

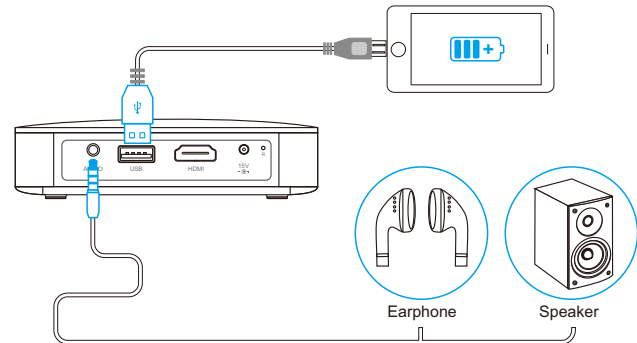
Simply roll the focus wheel control up and down to adjust the clarity of the projected image.

POWER OUT

When the projector is power on, connect the charging cable of your device to the projector's USB port, and then the projector turned into a power bank, it can charge your mobile devices, and the output is 5V/1A.

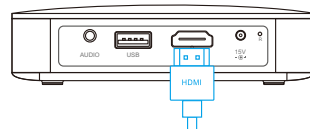
AUDIO OUT

The projector build in 2 speakers for normal use, but it can output the audio also, Plug the earphone or line-in cable of speaker to the projector's 3.5mm AUDIO OUT port as below image.








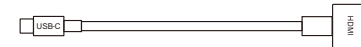
HDMI input

Connect the device to the projector by HDMI cable, HDMI can work directly. The projector can be connected to a variety of HDMI compatible devices via a wired connection, such as laptop, smart phone, tablets, PSP, etc.



NOTE: Some devices may require an adapter to connect to your device. To determine what type of adapter you need to use, please reference the compatibility list of below. (For example, iPhone or iPad need a Lighting to HDMI AV adapter as below.)

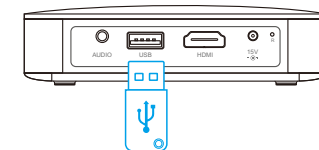
1	Devices with HDMI port		★ HDMI to HDMI cable (included)
2	Devices with mini HDMI port		★ Mini HDMI to HDMI adapter ★ HDMI to HDMI cable
3	Devices with micro HDMI port		★ Micro HDMI to HDMI adapter ★ HDMI to HDMI cable

4	iOS devices with lightning port		★Lightning digitalAV adapter ★HDMI to HDMI cable
5	Devices with USB-C (USB type C) port		★USB-C to HDMI adapter ★HDMI to HDMI cable
6	Devices with USB-C (USB type C) port		★USB type C to HDMI cable

The products don't include any HDMI adapter

USB DRIVE INPUT

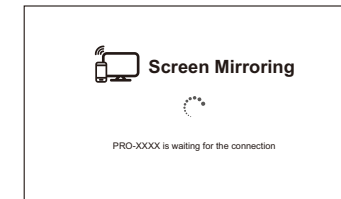
Insert the USB drive to the USB port, then the projector can read the video or other files directly.



SCREEN MIRRORING

1, Screen mirroring (Miracast): Turn on the wifi, and open the Miracast, then connect your Android device to the projector, The projector name is 'PRO-XXXX'.

NOTE: Be sure your device support Miracast.



2, Stream mirroring(DLNA): Connect wifi to the internet, and open the DLNA, then the projector will be ready for connecting, The projector name is 'Projector'.

NOTE: Be sure the video APPS or web support DLNA, such as youtube...

