

Human

Graphic Specification: AW_00029_V7

Date Created: 02.26.18

CERTIFICATION MARKINGS, RIGHT HOOK CAP: TO SCALE

PLACEMENT INSTRUCTIONS:

All graphics should be considered one artwork file, to be applied at once.

TYPE INSTRUCTIONS

Font: Euclid Square

Type Weight: Light

Text Size: 5pt

COLOR/PROCESS INSTRUCTIONS:

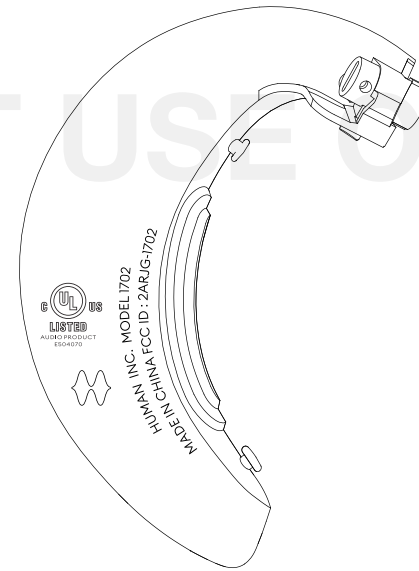
Pad Print

See Color Build Specification

MARKINGS FOR DVT USE ONLY



GRAPHICS 1:1

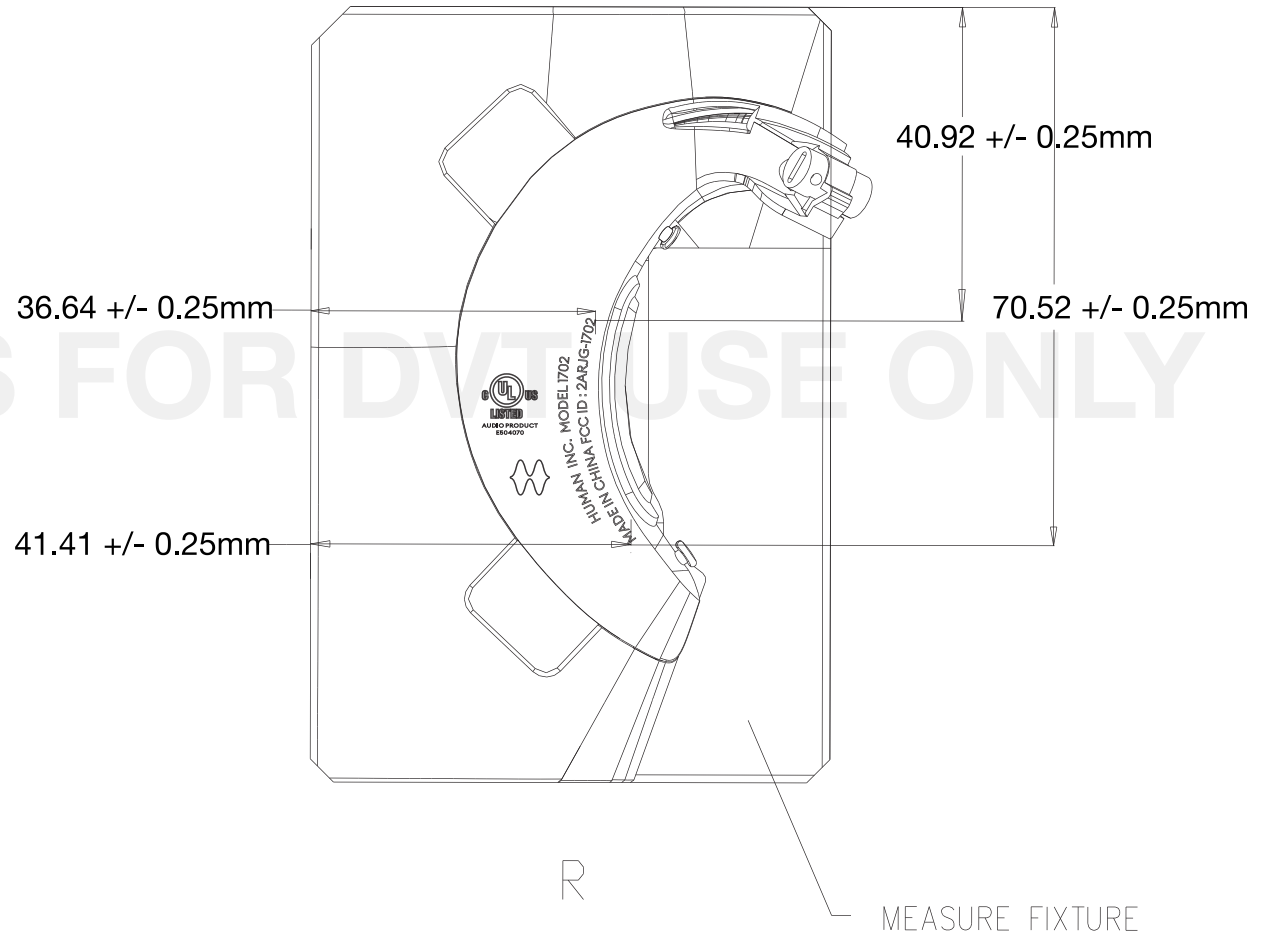


CERTIFICATION GRAPHICS 1:1
APPLIED TO RIGHT HOOK CAP

CERTIFICATION MARKINGS, RIGHT HOOK CAP: PLACEMENT (TO SCALE)

USE FIXTURE FOR PLACEMENT:

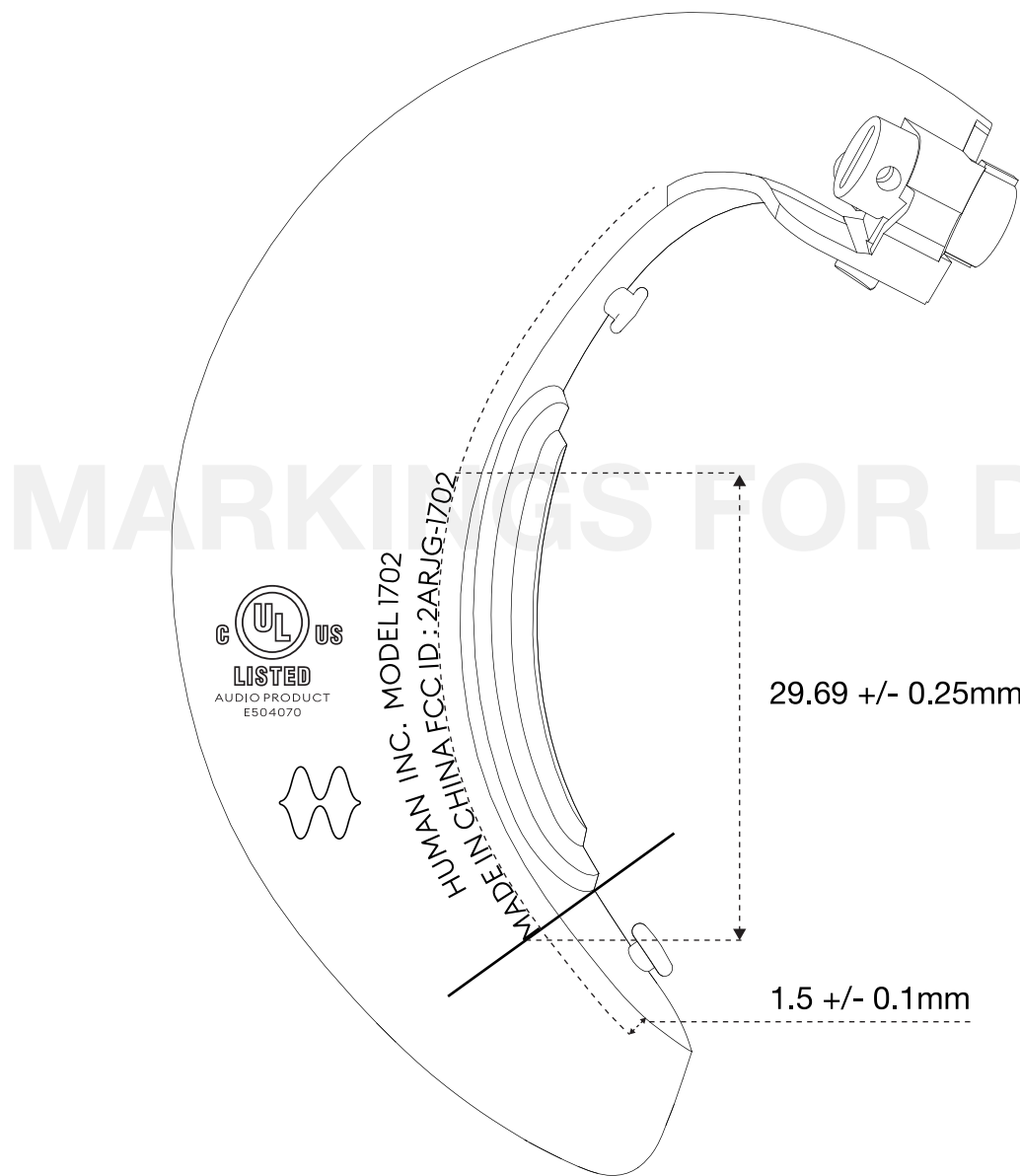
Please use “Measure Fixture” (shown below) to place and measure markings on Hook Base.



CERTIFICATION MARKINGS, RIGHT HOOK CAP: PLACEMENT (NOT TO SCALE)

All graphics should be considered one artwork file, to be applied at once.

Text Size: 5pt



GRAPHIC DIMENSIONS FOR REFERENCE ONLY

