

# Human

## **Graphic Specification: AW\_00030\_V7**

Date Created: 02.26.19

# CERTIFICATION MARKINGS, LEFT HOOK CAP: TO SCALE

## PLACEMENT INSTRUCTIONS:

All graphics should be considered one artwork file, to be applied at once.

## TYPE INSTRUCTIONS

Font: Euclid Square

Type Weight: Light

Text Size: 5pt

## COLOR/PROCESS INSTRUCTIONS:

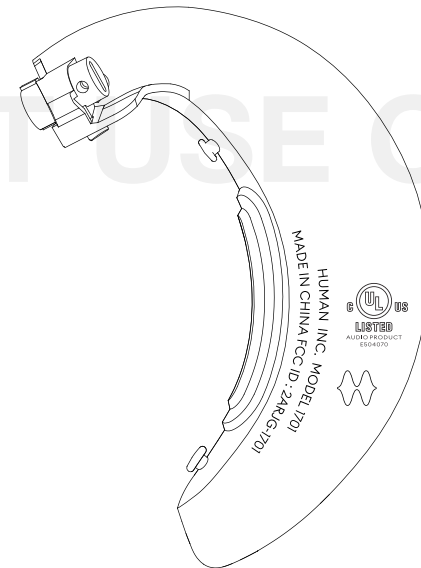
Pad Print

See Color Build Specification

MARKINGS FOR DVT USE ONLY



GRAPHICS 1:1

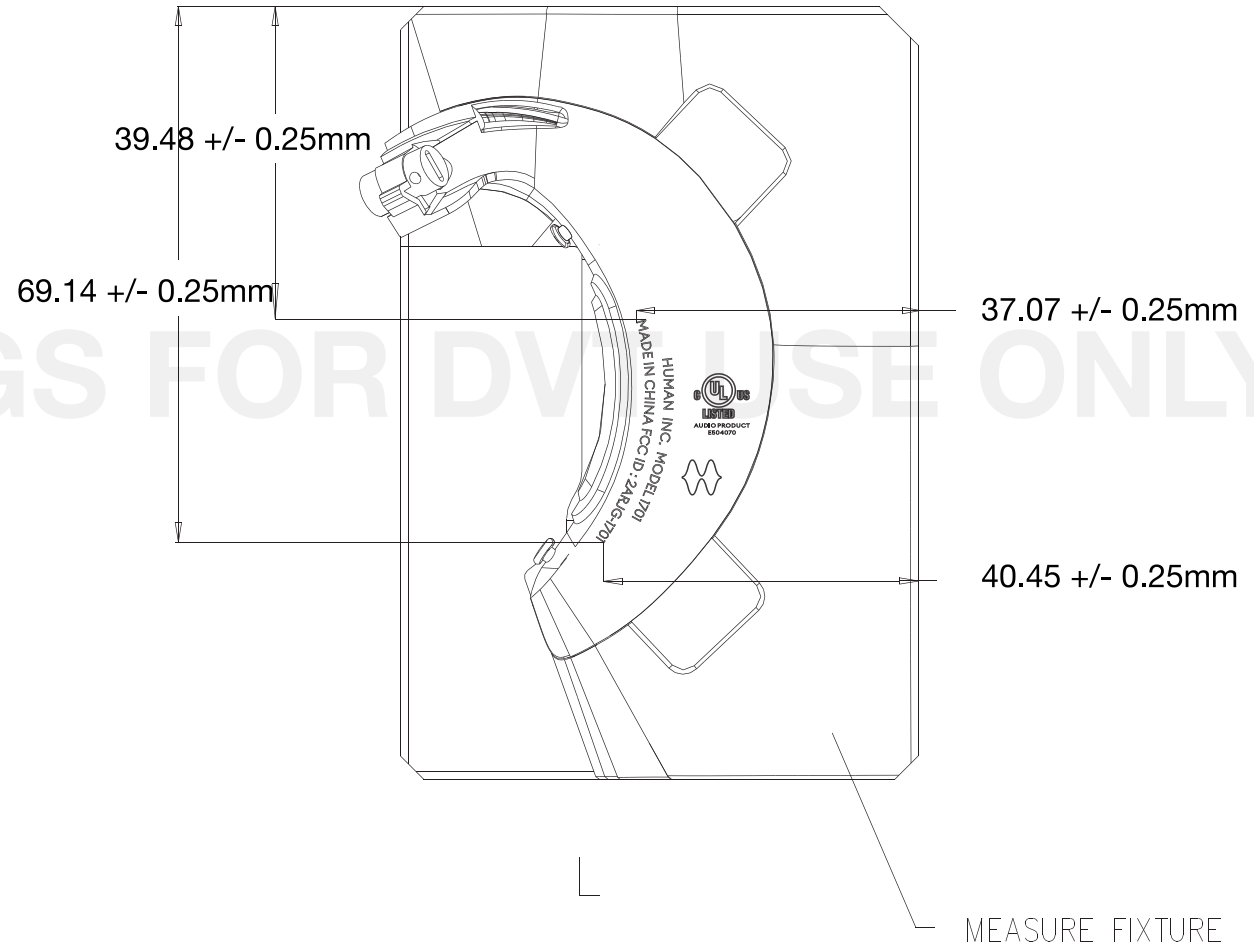


CERTIFICATION GRAPHICS 1:1  
APPLIED TO LEFT HOOK CAP

# CERTIFICATION MARKINGS, LEFT HOOK CAP: PLACEMENT (TO SCALE)

## USE FIXTURE FOR PLACEMENT:

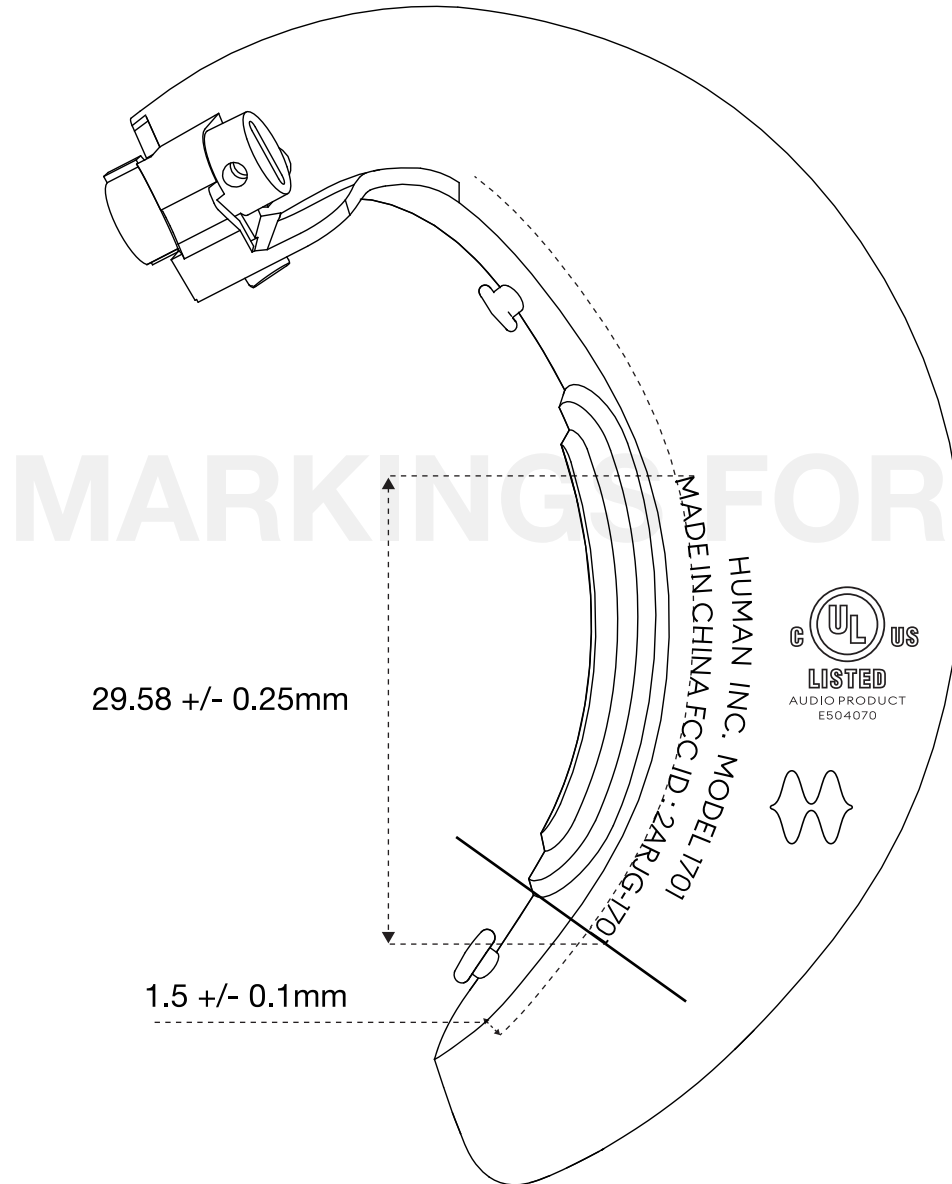
Please use “Measure Fixture” (shown below) to place and measure markings on Hook Base.



# CERTIFICATION MARKINGS, LEFT HOOK CAP: PLACEMENT (NOT TO SCALE)

All graphics should be considered one artwork file, to be applied at once.

Text Size: 5pt



## GRAPHIC DIMENSIONS FOR REFERENCE ONLY

