

## TEST REPORT

**Report No.: 18100455HKG-001**

Gartner Studios LLC

Application For Certification  
(Original Grant)

**FCC ID: 2ARIT0121638562**

Transceiver

**Prepared and Checked by:**

**Approved by:**

Signed On File  
Wong Cheuk Ho, Herbert  
Lead Engineer

---

Wong Kwok Yeung, Kenneth  
Senior Lead Engineer  
Date: November 27, 2018

---

Intertek's standard Terms and Conditions can be obtained at our website <http://www.intertek.com/terms/>.

The test report only allows to be revised within the retention period unless further standard or the requirement was noticed.

This report is for the exclusive use of Intertek's Client and is provided pursuant to the agreement between Intertek and its Client. Intertek's responsibility and liability are limited to the terms and conditions of the agreement. Intertek assumes no liability to any party, other than to the Client in accordance with the agreement, for any loss, expense or damage occasioned by the use of this report. Only the Client is authorized to permit copying or distribution of this report and then only in its entirety. Any use of the Intertek name or one of its marks for the sale or advertisement of the tested material, product or service must first be approved in writing by Intertek. The observations and test results in this report are relevant only to the sample tested. This report by itself does not imply that the material, product, or service is or has ever been under an Intertek certification program.

© 2017 Intertek

## TEST REPORT

### GENERAL INFORMATION

<b>Grantee:</b>	Gartner Studios LLC
<b>Grantee Address:</b>	220 East Myrtle St., Stillwater, Minnesota, United States 55082
<b>Contact Person:</b>	Michael Hostrawser
<b>Manufacturer:</b>	Shenzhen Trendwoo Tech. Co. Ltd.
<b>Manufacturer Address:</b>	Area A, 3rd Floor, Block 3, Building 88, Baishixia Longwangmiao Industrial Park, Fuyong Street, Baoan District, Shenzhen
<b>Brand Name:</b>	Motile
<b>Model:</b>	38562
<b>Additional Model:</b>	38561, 38563
<b>Type of EUT:</b>	Transceiver
<b>Description of EUT:</b>	Wireless Speaker
<b>Serial Number:</b>	N/A
<b>FCC ID:</b>	2ARIT0121638562
<b>Date of Sample Submitted:</b>	October 12, 2018
<b>Date of Test:</b>	October 12, 2018 to November 25, 2018
<b>Report No.:</b>	18100455HKG-001
<b>Report Date:</b>	November 27, 2018
<b>Environmental Conditions:</b>	Temperature: +10 to 40°C Humidity: 10 to 90%
<b>Conclusion:</b>	Test was conducted by client submitted sample. The submitted sample as received complied with the 47 CFR Part 15 / RSS-210 Issue 9 Certification.

## TEST REPORT

### SUMMARY OF TEST RESULT

Test Specification	Reference	Results
Transmitter Power Line Conducted Emissions	15.207	Pass
Radiated Emission	15.249, 15.209	Pass
Radiated Emission on the Bandedge		
Radiated Emission in Restricted Bands	15.205	Pass

The equipment under test is found to be complying with the following standards:  
FCC Part 15, October 1, 2017 Edition

Note: 1. The EUT uses a permanently attached antenna which, in accordance to section 15.203, is considered sufficient to comply with the provisions of this section.  
2. Pursuant to FCC part 15 Section 15.215(c), the 20 dB bandwidth of the emission was contained within the frequency band designated (mentioned as above) which the EUT operated. The effects, if any, from frequency sweeping, frequency hopping, other modulation techniques and frequency stability over excepted variations in temperature and supply voltage were considered.

**TEST REPORT**

**TABLE OF CONTENTS**

**1.0 GENERAL DESCRIPTION ..... 5**

1.1 Product Description .....5

1.2 Related Submittal(s) Grants .....5

1.3 Test Methodology.....5

1.4 Test Facility .....5

**2.0 SYSTEM TEST CONFIGURATION..... 6**

2.1 Justification.....6

2.2 EUT Exercising Software.....6

2.3 Special Accessories .....6

2.4 Measurement Uncertainty.....6

2.5 Support Equipment List and Description.....6

**3.0 EMISSION RESULTS..... 7**

3.1 Field Strength Calculation .....7

3.2 Radiated Emission Configuration Photograph.....8

3.3 Radiated Emission Data .....8

3.4 Conducted Emission Configuration Photograph .....8

3.5 Conducted Emission Data .....8

**4.0 EQUIPMENT PHOTOGRAPHS ..... 14**

**5.0 PRODUCT LABELLING..... 14**

**6.0 TECHNICAL SPECIFICATIONS ..... 14**

**7.0 INSTRUCTION MANUAL..... 14**

**8.0 MISCELLANEOUS INFORMATION ..... 15**

8.1 Radiated Emission on the Bandedge.....15

8.2 Discussion of Pulse Desensitization.....18

8.3 Calculation of Average Factor .....18

8.4 Emissions Test Procedures.....19

**9.0 CONFIDENTIALITY REQUEST ..... 23**

**10.0 EQUIPMENT LIST ..... 23**

## TEST REPORT

### 1.0 GENERAL DESCRIPTION

#### 1.1 Product Description

The Equipment Under Test (EUT) is a Wireless Speaker. It can accept audio signal from analog input source (3.5mm phone jack aux-in) and wireless Bluetooth device. The audio signal is amplified and fed to the built-in passive loudspeakers. The EUT is powered by 3.6V internal rechargeable battery and/or 5VDC (USB port). The USB ports is for charging internal battery only without PC data transfer function.

The model 38561 and 38563 are the same as the model 38562 in hardware aspect as declared by client. The difference in model number represent different colour as declared by client. The representative model 38562 was selected to test.

Antenna Type: Internal, Integral

For electronic filing, the brief circuit description is saved with filename: descri.pdf.

#### 1.2 Related Submittal(s) Grants

This is a single application for certification of a transceiver.

#### 1.3 Test Methodology

Both AC mains line-conducted and radiated emission measurements were performed according to the procedures in ANSI C63.10 (2013). All radiated measurements were performed in an 3m Chamber. Preliminary scans were performed in the 3m Chamber only to determine worst case modes. All radiated tests were performed at an antenna to EUT distance of 3 meters, unless stated otherwise in the **“Justification Section”** of this Application.

#### 1.4 Test Facility

The 3m Chamber and conducted measurement facility used to collect the radiated data is located at Workshop No. 3, G/F., World-Wide Industrial Centre, 43-47 Shan Mei Street, Fo Tan, Sha Tin, N.T., Hong Kong. This test facility and site measurement data have been placed on file with the FCC.

## TEST REPORT

### 2.0 SYSTEM TEST CONFIGURATION

#### 2.1 Justification

The system was configured for testing in a typical fashion (as a customer would normally use it), and in the confines as outlined in ANSI C63.10 (2013).

The device was powered by 3.6VDC (Li-ion battery) and/or USB Port of 5VDC. Both powering method were tested. Only the worst-case data is shown in this report (Powered by USB port).

For maximizing emissions, the EUT was rotated through 360°, the antenna height was varied from 1 meter to 4 meters above the ground plane, and the antenna polarization was changed. This step by step procedure for maximizing emissions led to the data reported in Exhibit 3.0.

The rear of unit shall be flushed with the rear of the table.

The equipment under test (EUT) was configured for testing in a typical fashion (as a customer would normally use it). The EUT was mounted to a plastic stand if necessary and placed on the wooden turntable, which enabled the engineer to maximize emissions through its placement in the three orthogonal axes.

#### 2.2 EUT Exercising Software

There was no special software to exercise the device. Once the unit is powered up, it transmits the RF signal continuously.

#### 2.3 Special Accessories

There are no special accessories necessary for compliance of this product.

#### 2.4 Measurement Uncertainty

When determining of the test conclusion, the Measurement Uncertainty of test has been considered.

Uncertainty and Compliance - Unless the standard specifically states that measured values are to be extended by the measurement uncertainty in determining compliance, all compliance determinations are based on the actual measured value.

#### 2.5 Support Equipment List and Description

N/A.

## TEST REPORT

### 3.0 EMISSION RESULTS

Data is included of the worst case configuration (the configuration which resulted in the highest emission levels). A sample calculation, configuration photographs and data tables of the emissions are included.

#### 3.1 Field Strength Calculation

The field strength is calculated by adding the Antenna Factor and Cable Factor, and subtracting the Amplifier Gain (if any), Average Factor (optional) from the measured reading. The basic equation with a sample calculation is as follows:

$$FS = RA + AF + CF - AG - AV$$

where FS = Field Strength in dB $\mu$ V/m

RA = Receiver Amplitude (including preamplifier) in dB $\mu$ V

CF = Cable Attenuation Factor in dB

AF = Antenna Factor in dB

AG = Amplifier Gain in dB

AV = Average Factor in dB

In the following table(s), the reading shown on the data table reflects the preamplifier gain. An example for the calculations in the following table is as follows:

$$FS = RR + LF$$

where FS = Field Strength in dB $\mu$ V/m

RR = RA - AG - AV in dB $\mu$ V

LF = CF + AF in dB

Assume a receiver reading of 52.0 dB $\mu$ V is obtained. The antenna factor of 7.4 dB and cable factor of 1.6 dB are added. The amplifier gain of 29 dB and average factor of 5 dB are subtracted, giving a field strength of 32 dB $\mu$ V/m. This value in dB $\mu$ V/m was converted to its corresponding level in  $\mu$ V/m.

$$RA = 52.0 \text{ dB}\mu\text{V/m}$$

$$AF = 7.4 \text{ dB}$$

$$CF = 1.6 \text{ dB}$$

$$AG = 29.0 \text{ dB}$$

$$AV = 5.0 \text{ dB}$$

$$FS = RR + LF$$

$$FS = 18 + 9 = 27 \text{ dB}\mu\text{V/m}$$

$$RR = 18.0 \text{ dB}\mu\text{V}$$

$$LF = 9.0 \text{ dB}$$

$$\text{Level in } \mu\text{V/m} = \text{Common Antilogarithm } [(27 \text{ dB}\mu\text{V/m})/20] = 22.4 \mu\text{V/m}$$

## TEST REPORT

### 3.2 Radiated Emission Configuration Photograph

The worst case in radiated emission was found at 336.000 MHz

For electronic filing, the worst case radiated emission configuration photographs are saved with filename: radiated photos.pdf.

### 3.3 Radiated Emission Data

The data on the following page lists the significant emission frequencies, the limit and the margin of compliance. Numbers with a minus sign are below the limit.

Judgment: Passed by 3.0 dB

### 3.4 Conducted Emission Configuration Photograph

The worst case in line-conducted emission was found at 4.106 MHz

For electronic filing, the worst case line-conducted configuration photographs are saved with filename: conducted photo.pdf.

### 3.5 Conducted Emission Data

For electronic filing, the graph and data table of conducted emission is saved with filename: conducted.pdf.

Judgment: Pass by 12.7 dB



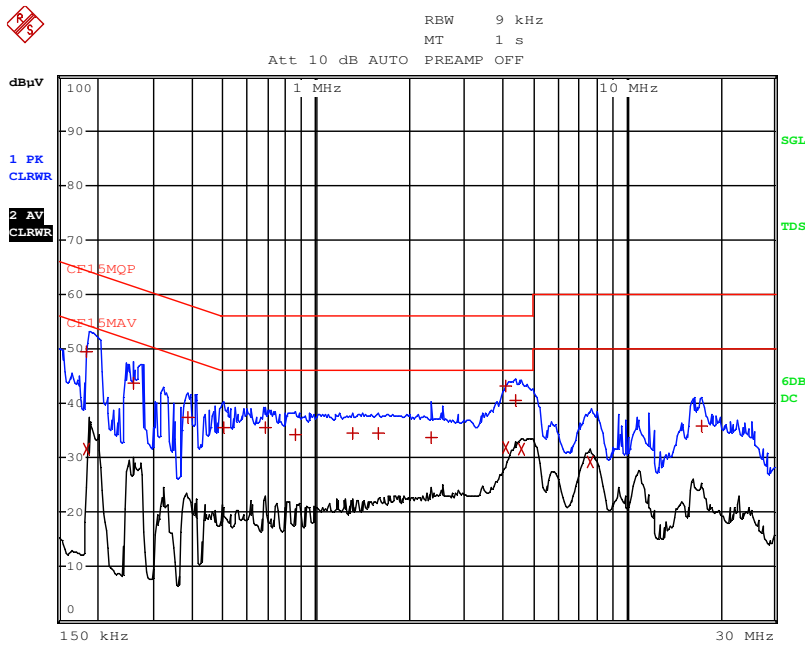
**TEST REPORT**

**CONDUCTED EMISSION**

Model: 38562

Date of Test: November 25, 2018

Worst-Case Operating Mode: Bluetooth audio playing + Charging



EDIT PEAK LIST (Final Measurement Results)				
TRACE	FREQUENCY	LEVEL dBµV	DELTA	LIMIT dB
Trace1:	CF15MQP			
Trace2:	CF15MAV			
Trace3:	---			
1	Quasi Peak 186 kHz	49.60	N	-14.61
2	CISPR Average 186 kHz	31.67	L1	-22.53
1	Quasi Peak 258 kHz	43.66	L1	-17.83
1	Quasi Peak 384 kHz	37.44	L1	-20.75
1	Quasi Peak 501 kHz	35.62	L1	-20.37
1	Quasi Peak 685.5 kHz	35.43	L1	-20.56
1	Quasi Peak 856.5 kHz	34.29	L1	-21.70
1	Quasi Peak 1.3065 MHz	34.61	L1	-21.38
1	Quasi Peak 1.5945 MHz	34.64	L1	-21.35
1	Quasi Peak 2.355 MHz	33.81	L1	-22.18
2	CISPR Average 4.101 MHz	31.94	N	-14.06
1	Quasi Peak 4.1055 MHz	43.29	N	-12.70
1	Quasi Peak 4.4205 MHz	40.62	N	-15.37
2	CISPR Average 4.6095 MHz	31.72	L1	-14.27
2	CISPR Average 7.629 MHz	29.24	L1	-20.75
1	Quasi Peak 17.475 MHz	35.92	N	-24.07

Note: Measurement Uncertainty is ±4.2dB at a level of confidence of 95%.

**TEST REPORT**

**RADIATED EMISSIONS**

Model: 38562

Date of Test: November 25, 2018

Worst-Case Operating Mode: Transmitting

Table 1  
Pursuant to FCC Part 15 Section 15.249 Requirement

Lowest Channel

Polarization	Frequency (MHz)	Reading (dBµV)	Pre-Amp Gain (dB)	Antenna Factor (dB)	Net at 3m - Average (dBµV/m)	Average Limit at 3m (dBµV/m)	Margin (dB)
H	2402.000	79.4	33	29.4	75.8	94.0	-18.2
<b>H</b>	<b>4804.000</b>	<b>40.5</b>	<b>33</b>	<b>34.9</b>	<b>42.4</b>	<b>54.0</b>	<b>-11.6</b>
H	7206.000	39.7	33	37.9	44.6	54.0	-9.4
H	9608.000	42.4	33	40.4	49.8	54.0	-4.2
<b>H</b>	<b>12010.000</b>	<b>41.3</b>	<b>33</b>	<b>40.5</b>	<b>48.8</b>	<b>54.0</b>	<b>-5.2</b>
H	14412.000	41.8	33	40.0	48.8	54.0	-5.2

Polarization	Frequency (MHz)	Reading (dBµV)	Pre-Amp Gain (dB)	Antenna Factor (dB)	Net at 3m - Peak (dBµV/m)	Peak Limit at 3m (dBµV/m)	Margin (dB)
H	2402.000	101.0	33	29.4	97.4	114.0	-16.6
<b>H</b>	<b>4804.000</b>	<b>50.3</b>	<b>33</b>	<b>34.9</b>	<b>52.2</b>	<b>74.0</b>	<b>-21.8</b>
H	7206.000	49.3	33	37.9	54.2	74.0	-19.8
H	9608.000	52.4	33	40.4	59.8	74.0	-14.2
<b>H</b>	<b>12010.000</b>	<b>51.1</b>	<b>33</b>	<b>40.5</b>	<b>58.6</b>	<b>74.0</b>	<b>-15.4</b>
H	14412.000	51.8	33	40.0	58.8	74.0	-15.2

- NOTES:
1. Peak Detector Data unless otherwise stated.
  2. Average measurement method is according to ANSI C63.10
  3. All measurements were made at 3 meters. Harmonic emissions not detected at the 3-meter distances were measured at 0.3-meter and an inverse proportional extrapolation was performed to compare the signal level to the 3-meter limit. No other harmonic emissions than those reported were detected at a test distance of 0.3-meter.
  4. Negative sign in the column shows value below limit.
  5. Horn antenna is used for the emission over 1000MHz.
  6. Emission (the row indicated by **bold italic**) within the restricted band meets the requirement of FCC Part 15 Section 15.205.
  7. Measurement Uncertainty is ±5.3dB at a level of confidence of 95%.

**TEST REPORT**

Model: 38562  
Date of Test: November 25, 2018  
Worst-Case Operating Mode: Transmitting

Table 2  
Pursuant to FCC Part 15 Section 15.249 Requirement

Middle Channel

Polarization	Frequency (MHz)	Reading (dBµV)	Pre-Amp Gain (dB)	Antenna Factor (dB)	Net at 3m - Average (dBµV/m)	Average Limit at 3m (dBµV/m)	Margin (dB)
H	2442.000	78.4	33	29.4	74.8	94.0	-19.2
<b>H</b>	<b>4884.000</b>	<b>40.3</b>	<b>33</b>	<b>34.9</b>	<b>42.2</b>	<b>54.0</b>	<b>-11.8</b>
H	7326.000	39.3	33	37.9	44.2	54.0	-9.8
<b>H</b>	<b>9768.000</b>	<b>42.2</b>	<b>33</b>	<b>40.4</b>	<b>49.6</b>	<b>54.0</b>	<b>-4.4</b>
<b>H</b>	<b>12210.000</b>	<b>41.1</b>	<b>33</b>	<b>40.5</b>	<b>48.6</b>	<b>54.0</b>	<b>-5.4</b>
H	14652.000	43.4	33	38.4	48.8	54.0	-5.2

Polarization	Frequency (MHz)	Reading (dBµV)	Pre-Amp Gain (dB)	Antenna Factor (dB)	Net at 3m - Peak (dBµV/m)	Peak Limit at 3m (dBµV/m)	Margin (dB)
H	2442.000	100.2	33	29.4	96.6	114.0	-17.4
<b>H</b>	<b>4884.000</b>	<b>50.5</b>	<b>33</b>	<b>34.9</b>	<b>52.4</b>	<b>74.0</b>	<b>-21.6</b>
<b>H</b>	<b>7326.000</b>	<b>49.7</b>	<b>33</b>	<b>37.9</b>	<b>54.6</b>	<b>74.0</b>	<b>-19.4</b>
H	9768.000	52.2	33	40.4	59.6	74.0	-14.4
<b>H</b>	<b>12210.000</b>	<b>50.7</b>	<b>33</b>	<b>40.5</b>	<b>58.2</b>	<b>74.0</b>	<b>-15.8</b>
H	14652.000	53.0	33	38.4	58.4	74.0	-15.6

- NOTES:
1. Peak Detector Data unless otherwise stated.
  2. Average measurement method is according to ANSI C63.10
  3. All measurements were made at 3 meters. Harmonic emissions not detected at the 3-meter distances were measured at 0.3-meter and an inverse proportional extrapolation was performed to compare the signal level to the 3-meter limit. No other harmonic emissions than those reported were detected at a test distance of 0.3-meter.
  4. Negative sign in the column shows value below limit.
  5. Horn antenna is used for the emission over 1000MHz.
  6. Emission (the row indicated by **bold italic**) within the restricted band meets the requirement of FCC Part 15 Section 15.205.
  7. Measurement Uncertainty is ±5.3dB at a level of confidence of 95%.

**TEST REPORT**

Model: 38562  
Date of Test: November 25, 2018  
Worst-Case Operating Mode: Transmitting

Table 3  
Pursuant to FCC Part 15 Section 15.249 Requirement

Highest Channel

Polarization	Frequency (MHz)	Reading (dBμV)	Pre-Amp Gain (dB)	Antenna Factor (dB)	Net at 3m - Average (dBμV/m)	Average Limit at 3m (dBμV/m)	Margin (dB)
H	2480.000	78.0	33	29.4	74.4	94.0	-19.6
<b>H</b>	<b>4960.000</b>	<b>40.3</b>	<b>33</b>	<b>34.9</b>	<b>42.2</b>	<b>54.0</b>	<b>-11.8</b>
<b>H</b>	<b>7440.000</b>	<b>39.1</b>	<b>33</b>	<b>37.9</b>	<b>44.0</b>	<b>54.0</b>	<b>-10.0</b>
H	9920.000	42.0	33	40.4	49.4	54.0	-4.6
<b>H</b>	<b>12400.000</b>	<b>40.7</b>	<b>33</b>	<b>40.5</b>	<b>48.2</b>	<b>54.0</b>	<b>-5.8</b>
H	14880.000	43.0	33	38.4	48.4	54.0	-5.6

Polarization	Frequency (MHz)	Reading (dBμV)	Pre-Amp Gain (dB)	Antenna Factor (dB)	Net at 3m - Peak (dBμV/m)	Peak Limit at 3m (dBμV/m)	Margin (dB)
H	2480.000	99.4	33	29.4	95.8	114.0	-18.2
<b>H</b>	<b>4960.000</b>	<b>50.5</b>	<b>33</b>	<b>34.9</b>	<b>52.4</b>	<b>74.0</b>	<b>-21.6</b>
<b>H</b>	<b>7440.000</b>	<b>49.6</b>	<b>33</b>	<b>37.9</b>	<b>54.5</b>	<b>74.0</b>	<b>-19.5</b>
H	9920.000	52.0	33	40.4	59.4	74.0	-14.6
<b>H</b>	<b>12400.000</b>	<b>50.8</b>	<b>33</b>	<b>40.5</b>	<b>58.3</b>	<b>74.0</b>	<b>-15.7</b>
H	14880.000	53.2	33	38.4	58.6	74.0	-15.4

- NOTES:
1. Peak Detector Data unless otherwise stated.
  2. Average measurement method is according to ANSI C63.10
  3. All measurements were made at 3 meters. Harmonic emissions not detected at the 3-meter distances were measured at 0.3-meter and an inverse proportional extrapolation was performed to compare the signal level to the 3-meter limit. No other harmonic emissions than those reported were detected at a test distance of 0.3-meter.
  4. Negative sign in the column shows value below limit.
  5. Horn antenna is used for the emission over 1000MHz.
  6. Emission (the row indicated by **bold italic**) within the restricted band meets the requirement of FCC Part 15 Section 15.205.
  7. Measurement Uncertainty is ±5.3dB at a level of confidence of 95%.

**TEST REPORT**

Model: 38562

Date of Test: November 25, 2018

Worst-Case Operating Mode: Bluetooth audio playing + Charging

Table 4  
**Pursuant to FCC Part 15 Section 15.209 Requirement**

Polarization	Frequency (MHz)	Reading (dBμV)	Pre-amp (dB)	Antenna Factor (dB)	Net at 3m (dBμV/m)	Limit at 3m (dBμV/m)	Margin (dB)
V	41.940	36.0	16	10.0	30.0	40.0	-10.0
V	76.065	38.8	16	6.0	28.8	40.0	-11.2
V	229.140	32.8	16	18.0	34.8	46.0	-11.2
H	288.006	30.0	16	22.0	36.0	46.0	-10.0
H	336.000	35.0	16	24.0	43.0	46.0	-3.0
V	390.015	25.4	16	25.0	34.4	46.0	-11.6
H	691.656	22.4	16	30.0	36.4	46.0	-9.6
H	718.712	24.0	16	30.0	38.0	46.0	-8.0

- NOTES:
1. Quasi-Peak Detector Data unless otherwise stated.
  2. All measurements were made at 3 meters. Harmonic emissions not detected at the 3-meter distances were measured at 0.3-meter and an inverse proportional extrapolation was performed to compare the signal level to the 3-meter limit. No other harmonic emissions than those reported were detected at a test distance of 0.3-meter.
  3. Negative sign in the column shows value below limit.
  4. Horn antenna is used for the emission over 1000MHz.
  5. Emission (the row indicated by ***bold italic***) within the restricted band meets the requirement of FCC Part 15 Section 15.205.
  6. Measurement Uncertainty is ±5.3dB at a level of confidence of 95%.

## TEST REPORT

### 4.0 EQUIPMENT PHOTOGRAPHS

For electronic filing, the photographs are saved with filename: external photos.pdf and internal photos.pdf.

### 5.0 PRODUCT LABELLING

For electronics filing, the FCC ID label artwork and the label location are saved with filename: label.pdf.

### 6.0 TECHNICAL SPECIFICATIONS

For electronic filing, the block diagram and schematic of the tested EUT are saved with filename: block.pdf and circuit.pdf respectively.

### 7.0 INSTRUCTION MANUAL

For electronic filing, a preliminary copy of the Instruction Manual is saved with filename: manual.pdf.

This manual will be provided to the end-user with each unit sold/leased in the United States.

## TEST REPORT

### 8.0 MISCELLANEOUS INFORMATION

The miscellaneous information includes details of the test procedure and measured bandwidth / calculation of factor such as pulse desensitization and averaging factor (calculation and timing diagram).

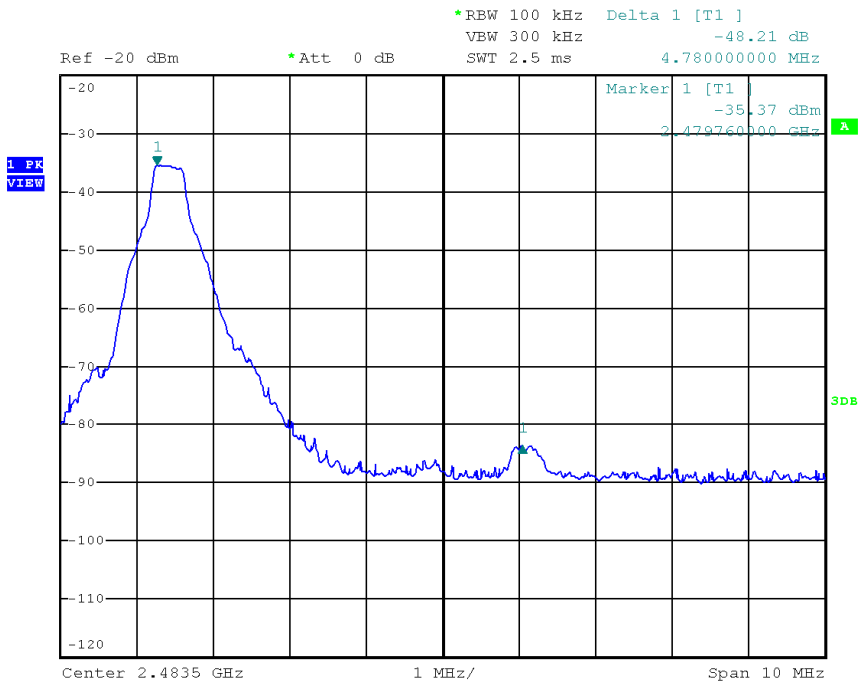
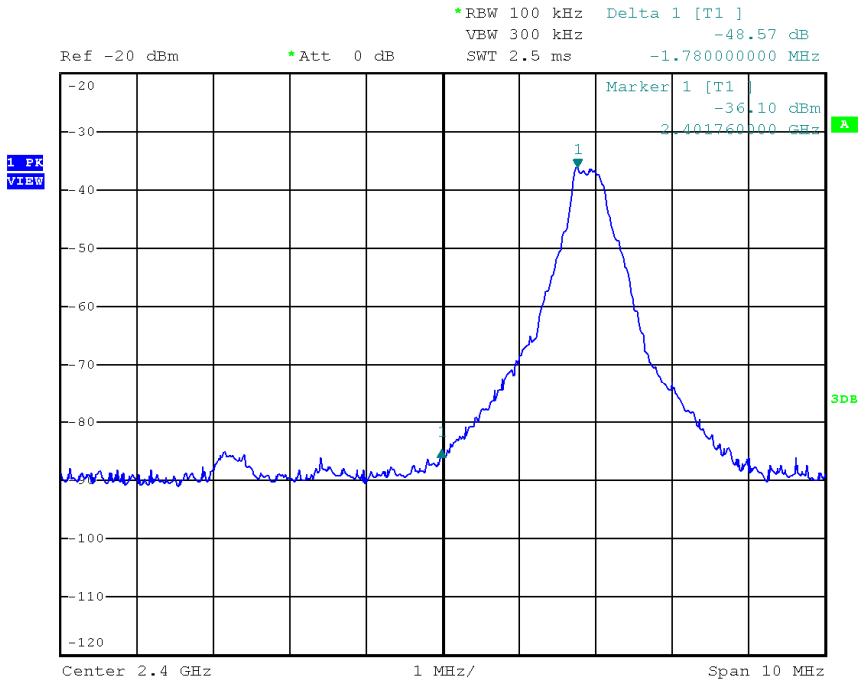
#### 8.1 Radiated Emission on the Bandedge

From the following plots, they show that the fundamental emissions are confined in the specified band (2400MHz to 2483.5MHz). In case of the fundamental emissions are within two standard bandwidths from the bandedge, the delta measurement technique is used for determining bandedge compliance. Standard bandwidth is the bandwidth specified by ANSI C63.10 (2013) for frequency being measured.

Emissions radiated outside of the specified frequency bands, except harmonics, are attenuated by 50dB below the level of the fundamental or to the general radiated emissions limits in Section 15.209, whichever is the lesser attenuation, which meet the requirement of part 15.249(d).

**TEST REPORT**

**PEAK MEASUREMENT**





## TEST REPORT

### PEAK MEASUREMENT

Bandedge compliance is determined by applying marker-delta method, i.e. (Bandedge Plot).

Lower bandedge

Peak Resultant field strength = Fundamental emissions (peak value) – delta from the plot

$$=97.4 \text{ dB}\mu\text{V/m} - 48.6 \text{ dB}$$

$$=48.8 \text{ dB}\mu\text{V/m}$$

Average Resultant field strength = Fundamental emissions (average value) – delta from the plot

$$=75.8 \text{ dB}\mu\text{V/m} - 48.6 \text{ dB}$$

$$=27.2 \text{ dB}\mu\text{V/m}$$

Upper bandedge

Peak Resultant field strength = Fundamental emissions (peak value) – delta from the plot

$$=95.8 \text{ dB}\mu\text{V/m} - 48.2 \text{ dB}$$

$$=47.6 \text{ dB}\mu\text{V/m}$$

Average Resultant field strength = Fundamental emissions (average value) – delta from the plot

$$=74.4 \text{ dB}\mu\text{V/m} - 48.2 \text{ dB}$$

$$=26.2 \text{ dB}\mu\text{V/m}$$

The resultant field strength meets the general radiated emission limit in Section 15.209, which does not exceed 74 dB $\mu$ V/m (Peak Limit) and 54 dB $\mu$ V/m (Average Limit).

## TEST REPORT

### 8.2 Discussion of Pulse Desensitization

Pulse desensitivity is not applicable for this device. The effective period ( $T_{eff}$ ) is approximately  $625\mu s$  for a digital "1" bit which illustrated on technical specification, with a resolution bandwidth (3dB) of 3MHz, so the pulse desensitivity factor is 0dB.

### 8.3 Calculation of Average Factor

N/A

## TEST REPORT

### 8.4 Emissions Test Procedures

The following is a description of the test procedure used by Intertek Testing Services Hong Kong Ltd. in the measurements of transmitter operating under the Part 15, Subpart C rules.

The transmitting equipment under test (EUT) is placed on a wooden turntable which is four feet in diameter and approximately 0.8m in height above the ground plane for emission measurement at or below 1GHz and 1.5m in height above the ground plane for emission measurement above 1GHz. During the radiated emissions test, the turntable is rotated and any cables leaving the EUT are manipulated to find the configuration resulting in maximum emissions. The EUT is adjusted through all three orthogonal axis to obtain maximum emission levels. The antenna height and polarization are also varied during the testing to search for maximum signal levels. The height of the antenna is varied from one to four meters.

Detector function for radiated emissions is in peak mode. Average readings, when required, are taken by measuring the duty cycle of the equipment under test and subtracting the corresponding amount in dB from the measured peak readings. A detailed description for the calculation of the average factor can be found in Exhibit 8.3.

The frequency range scanned is from the lowest radio frequency signal generated in the device which is greater than 9 kHz to the tenth harmonic of the highest fundamental frequency or 40 GHz, whichever is lower. For line conducted emissions, the range scanned is 150 kHz to 30 MHz.

## TEST REPORT

### 8.4 Emissions Test Procedures (cont'd)

The EUT is warmed up for 15 minutes prior to the test.

AC power to the unit is varied from 85% to 115% nominal and variation in the fundamental emission field strength is recorded. If battery powered, a new, fully charged battery is used.

Conducted measurements were made as described in ANSI C63.10 (2013).

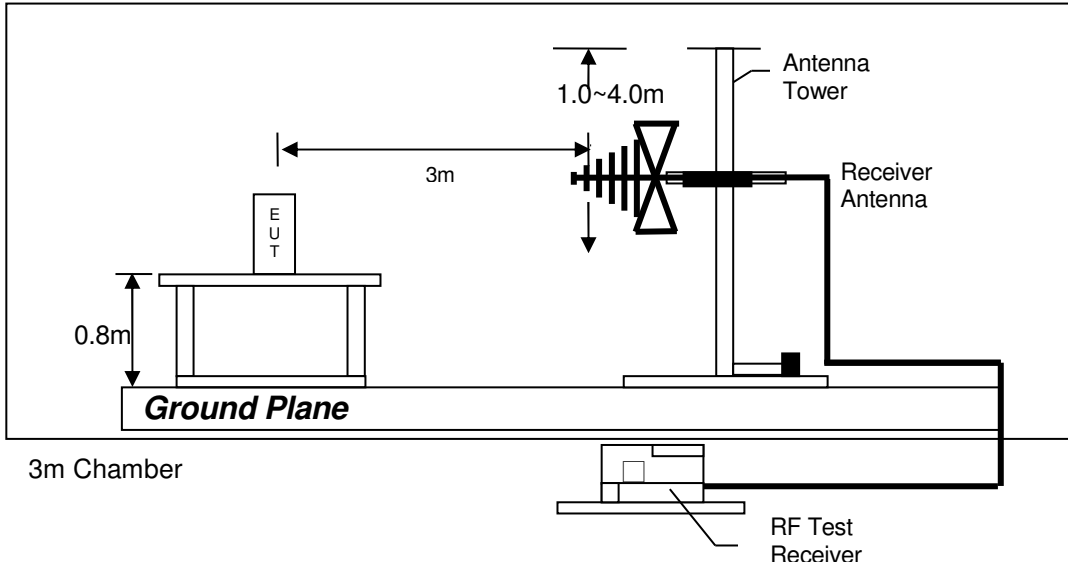
The IF bandwidth used for measurement of radiated signal strength was 100 kHz or greater when frequency is below 1000 MHz. Where pulsed transmissions of short enough pulse duration warrant, a greater bandwidth is selected according to the recommendations of Hewlett Packard Application Note 150-2. A discussion of whether pulse desensitivity is applicable to this unit is included in this report (See Exhibit 8.1). Above 1000 MHz, a resolution bandwidth of 3 MHz is used.

Transmitter measurements are normally conducted at a measurement distance of three meters. However, to assure low enough noise floor in the forbidden bands and above 1 GHz, signals are acquired at a distance of one meter or less. All measurements are extrapolated to three meters using inverse scaling, unless otherwise reported. Measurements taken at a closer distance are so marked.

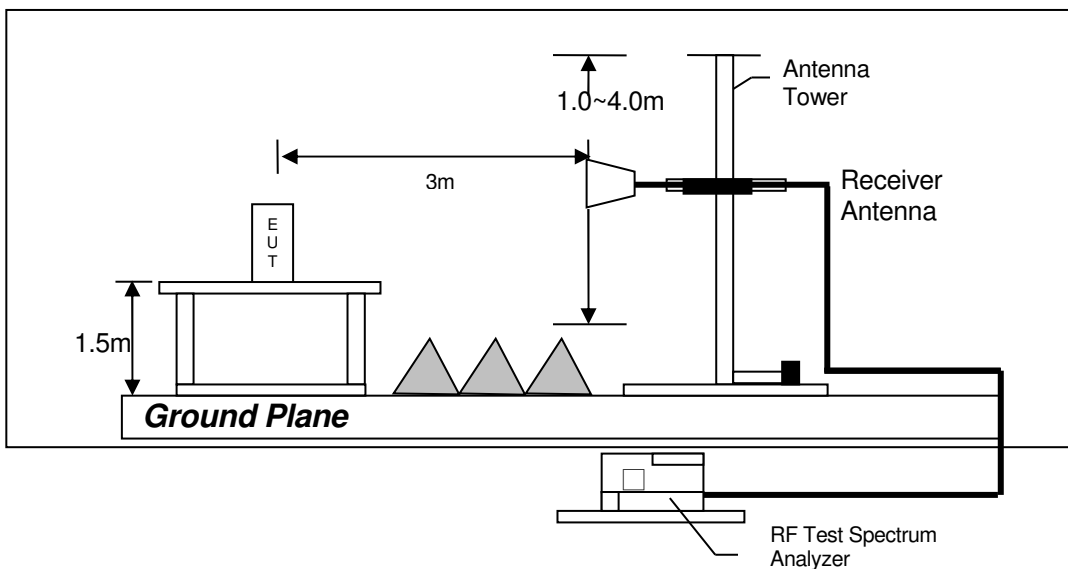
**TEST REPORT**

8.4.1 Radiated Emission Test Setup

The figure below shows the test setup, which is utilized to make these measurements.



Test setup of radiated emissions up to 1GHz



Test setup of radiated emissions above 1GHz

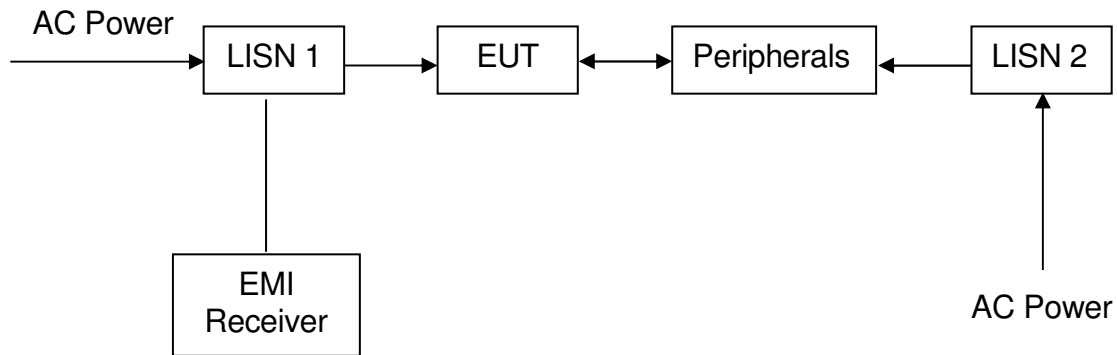
## TEST REPORT

### 8.4.2 Conducted Emission Test Procedures

For tabletop equipment, the EUT along with its peripherals were placed on a 1.0m(W)×1.5m(L) and 0.8m in height wooden table. For floor-standing equipment, the EUT and all cables were insulated, if required, from the ground plane by up to 12 mm of insulating material. The EUT was adjusted to maintain a 0.4 meter space from a vertical reference plane. The EUT was connected to power mains through a line impedance stabilization network (LISN), which provided 50 ohm coupling impedance for measuring instrument and the chassis ground was bounded to the horizontal ground plane of shielded room. The excess power cable between the EUT and the LISN was bundled.

All connecting cables of EUT and peripherals were moved to find the maximum emission.

### 8.4.3 Conducted Emission Test Setup



## TEST REPORT

### 9.0 CONFIDENTIALITY REQUEST

For electronic filing, a preliminary copy of the confidentiality request is saved with filename: request.pdf.

### 10.0 EQUIPMENT LIST

#### 1) Radiated Emissions Test

Equipment	EMI Test Receiver	Spectrum Analyzer	Biconical Antenna
Registration No.	EW-2666	EW-3281	EW-0571
Manufacturer	R&S	ROHDESCHWARZ	EMCO
Model No.	ESCI7	FSV40	3104C
Calibration Date	August 28, 2018	January 02, 2018	February 27, 2018
Calibration Due Date	August 28, 2019	January 02, 2019	August 27, 2019

Equipment	Log Periodic Antenna	Double Ridged Guide Antenna	14m Double Shield RF Cable (20MHz to 6GHz)
Registration No.	EW-0447	EW-1015	EW-2505
Manufacturer	EMCO	EMCO	RADIALL
Model No.	3148	3115	nm / br5d / sma 14m
Calibration Date	January 17, 2018	November 17, 2017	October 27, 2018
Calibration Due Date	July 17, 2019	May 17, 2019	October 27, 2019

Equipment	RF Cable 14m (1GHz to 26.5GHz)	RF Pre-amplifier 3 pcs (9kHz to 40GHz)	Solid State Low Noise Preamp Assembly (1 - 18)GHz
Registration No.	EW-2781	EW-3006	EW-3229
Manufacturer	GREATBILLION	SCHWARZBECK	BONN ELEKTRO
Model No.	SMA m/SHF5MPU /SMA m ra14m,26G	BBV 9718 BBV9744 BBV 9721	BLMA 0118-5G
Calibration Date	October 27, 2018	January 30, 2018	January 30, 2018
Calibration Due Date	October 27, 2019	January 30, 2019	January 30, 2019

Equipment	Active Loop H-field (9kHz to 30MHz)	Notch Filter (cutoff frequency 2.4GHz to 2.5GHz)	Pyramidal Horn Antenna
Registration No.	EW-2313	EW-2213	EW-0905
Manufacturer	ELECTROMETRI	MICROTRONICS	EMCO
Model No.	EM-6876	BRM50701-02	3160-09
Calibration Date	March 08, 2018	May 24, 2018	August 18, 2017
Calibration Due Date	September 08, 2019	May 24, 2019	February 18, 2019

**TEST REPORT**

2) Conducted Emissions Test

<b>Equipment</b>	<b>RF Cable 240cm (RG142)</b>	<b>Artificial Mains Network</b>	<b>EMI Test Receiver</b>
Registration No.	EW-2454	EW-2501	EW-2666
Manufacturer	RADIALL	ROHDESCHWARZ	R&S
Model No.	bnc m st / 142 /bnc m ra 240cm	ENV-216	ESCI7
Calibration Date	March 27, 2018	February 14, 2018	August 28, 2018
Calibration Due Date	March 27, 2019	February 14, 2019	August 28, 2019

3) Bandedge Measurement

<b>Equipment</b>	<b>RF Cable (up to 40GHz) 1.5m length</b>	<b>Spectrum Analyzer</b>
Registration No.	EW-3104	EW-2249
Manufacturer	N/A	R&S
Model No.	SMA-M to SMA-M	FSP30
Calibration Date	July 03, 2018	May 17, 2018
Calibration Due Date	July 03, 2019	May 17, 2019

**END OF TEST REPORT**