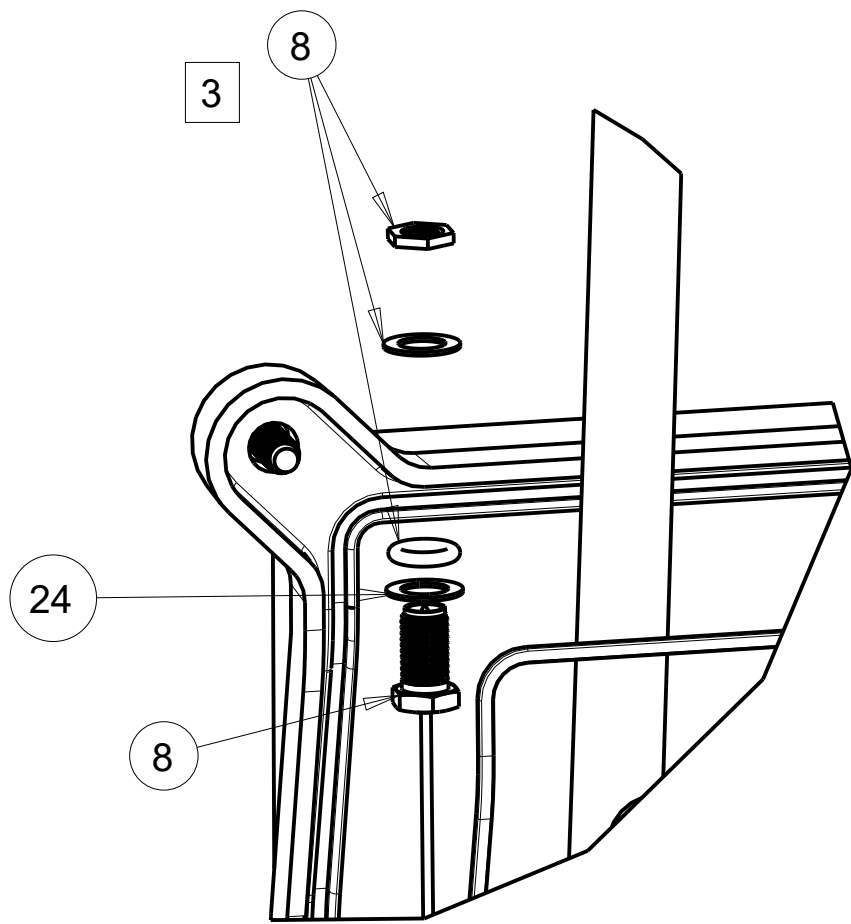
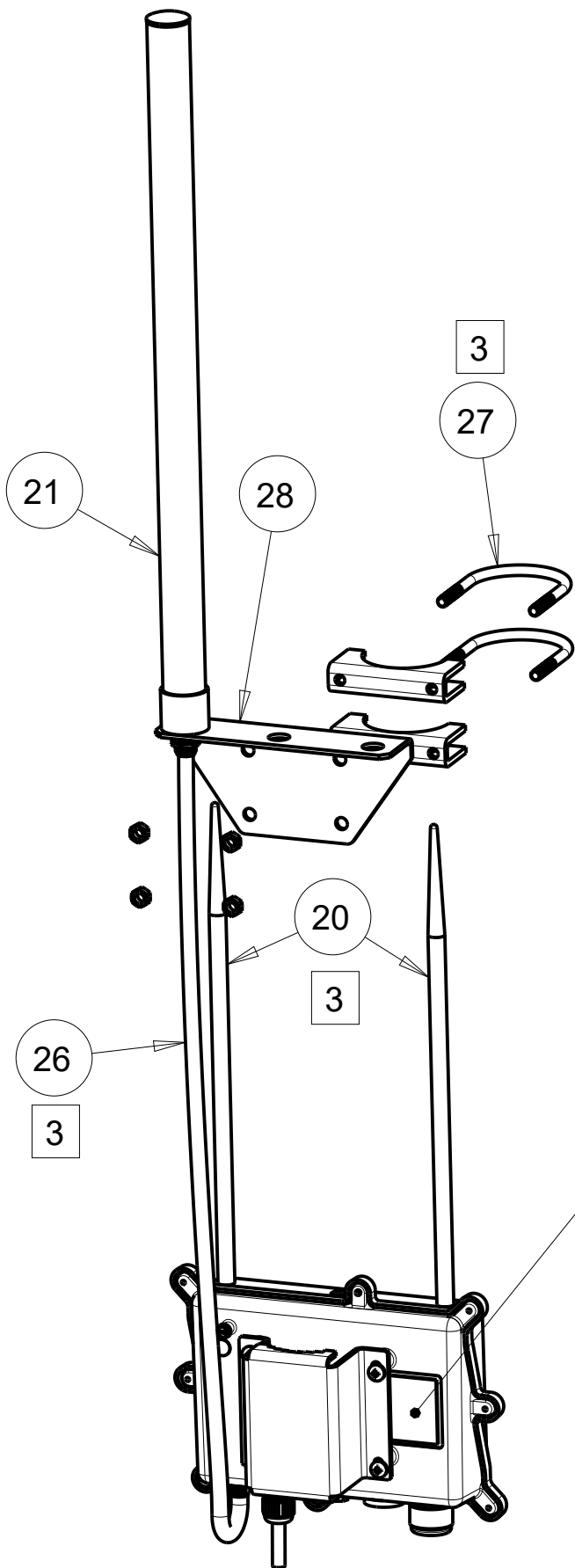


PROPRIETARY DATA RIGHTS: INFORMATION CONTAINED HEREIN REPRESENTS PROPRIETARY INTELLECTUAL PROPERTY OF CARNEGIE TECHNOLOGIES AND IS EXEMPT FROM THE FREEDOM OF INFORMATION ACT. ANY RECEIPT, POSSESSION, DUPLICATION, OR DISCLOSURE, IN WHOLE OR IN PART, BY ANY PERSON, ORGANIZATION, OR MEANS, WITHOUT WRITTEN PERMISSION, SHALL BE VIEWED AS AN INFRINGEMENT UPON THESE DATA RIGHTS AND MAY BE SUBJECT TO CRIMINAL AND/OR CIVIL LIABILITY.

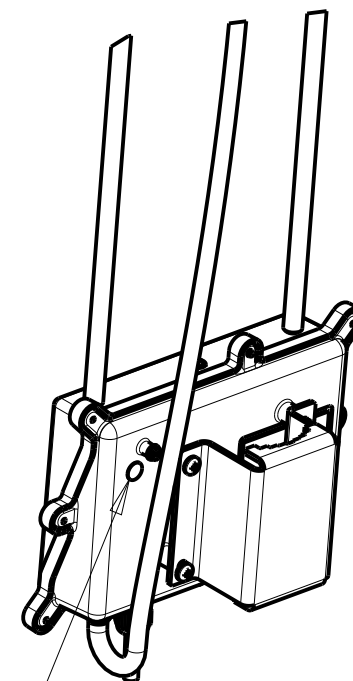


DETAIL B
SCALE 1.000



PLACE ITEM 35
IN THIS AREA
UNDER GROUNDING SCREW

LABEL SHALL BE ORIENTED
SUCH THAT TEXT CAN BE
READ NORMALLY WHEN THE
UNIT IS ORIENTED WITH THE
SMA CONNECTORS ON TOP.



CARNEGIE TECHNOLOGIES

TITLE			
FINAL ASSY, ENCLOSURE, GATEWAY			
SIZE	DRAWING NUMBER	REV	
B	740-000080-100	E	
SCALE	PROJECT	SHEET	
.200	LONGVIEW	4 OF 7	