

Car Wireless Charging User Manual

Contents

Package Contents	1
Features	1
Compatibility	2
Spec	2
Quick Guide	3
Warranty	7
Exclusions & Limitations	13
Important	16
Customer Service	
Legal.....	

Thank you for purchasing MagEZ Car Mount Pro.

Package Contains:

- MagEZ Car Mount Pro x 1
- USB-C Charging Cable x 1
- User Manual x 1
- Air Vent Attachment or Suction Cup Attachment x 1
- Dashboard Pad

Features:

- Up to 15W wireless charging (7.5W for iPhone)
- MagSafe compatible iPhones magnetically attach to the mount
- Secure and stable attachment
- 360° rotating mount
- Built-in cooling fan
- Safety features include foreign body detection, overheating, over-current, short circuit, and over/under voltage protection.
- USB-C power port

Compatibility :

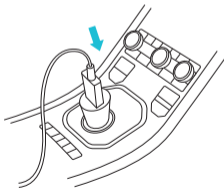
- Works with an iPhone using a MagSafe compatible case, MagEZ Case 2, or New MagEZ Case Pro.
- Not compatible with non-MagSafe cases.
- Requires a QC+PD 18W power supply.

Specs:

Detail	Specification
Frequency	115KHZ-205KHZ
Power Output	5W/7.5W/10W/15W
Power Input Voltage	5V-12V
Power Input Current	2A
Transmission Distance	≤8mm
Transfer Efficiency	75%
Operating Temperature	-10°C~30°C
Storage Temperature	-20°C~60°C

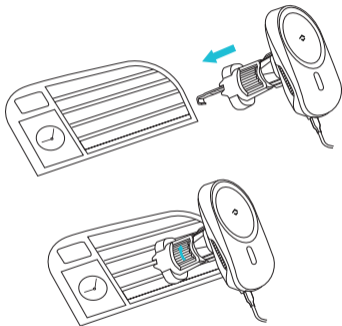
Quick Guide :

Step 1. Plug the cable into the MagEZ Car Mount Pro USB port, and the other end of the cable into your car adapter. Plug the adapter into the car's power outlet.



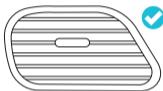
Step 2. Install the MagEZ Car Mount Pro

A. Air Vent Hook



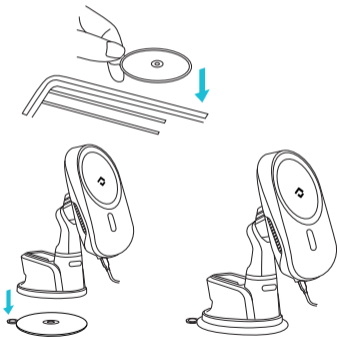
Fasten the air vent hook onto the air vent grille. Turn the lock to secure the hook in place.

CAUTION: Only attach to a horizontal grille air vent for a secure hold.



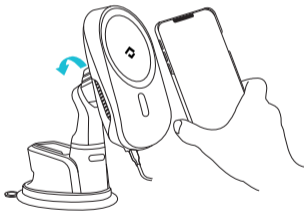
B. Suction Cup

Clean and dry the surface before attaching, then firmly press down on the suction cup. Press down on the suction cup lock to hold the mount firmly in place.



NOTE: A dashboard pad is needed for use on your car's dash.

Step 3. Adjust the position of your mount then fix it in place by turning the nut underneath the base.



Warranty:

At PITAKA, we are always striving to provide our customers with the best quality products. The PITAKA MagEZ Car Mount Pro is guaranteed for 12 months from the date of purchase. The MagEZ Car Mount Pro is warranted to be free of defects in materials and function under normal use. A defect is defined as an imperfection or flaw during the manufacturing process. The warranty is non-transferable and covers the original end-user purchaser. PITAKA will only authorize the warranty claim if the products were purchased from an official store or an authorized dealer. For full details regarding warranty terms and exclusions, please visit ipitaka.com/pages/shipping-warranty.

Exclusions & Limitations :

Except for the limited warranty expressly set forth or to the extent restricted or prohibited by applicable law, PITAKA expressly disclaims any other warranties express or implied, including any warranty of quality, merchantability, or fitness for a particular purpose, and you specifically agree that PITAKA shall not be liable for any special, incidental, indirect, punitive, or consequential damages of any type on any PITAKA product. In addition to and without limiting the generality of the foregoing disclaimers, the limited warranty does not, under any circumstances, cover the replacement or cost of any electronic device or personal property inside or outside of the PITAKA product.

Important :

- Keep out of direct sunlight.
- Do not immerse in liquid.
- Operating Temperature 14°F - 86°F (-10 - 30 °C)

- Storage Temperature -4°F - 140°F (-20 - 60 °C)
- Operating Humidity 45-85% Relative Humidity
- Storage Humidity 30-90% Relative Humidity
- Do not disassemble or replace any part of the MagEZ Car Mount Pro.
- Only use a USB-C PD 18W charger to power the MagEZ Car Mount Pro.
- Do not place any foreign objects between MagEZ Car Mount Pro and the mobile phone, so as not to affect the charging performance of the product.
- The product should be charged once every 3 months during storage.

Customer Service :

Tel: +852 9202 6223

Email: support@ipitaka.com

Web: www.ipitaka.com

Legal :

The manufacturer is not responsible for any damages to any device incurred through the use of this product. The manufacturer shall not, in any way, be liable to you or to any third party for any damages you or any third party may suffer as a result of use, intended or unintended, or misuse of this product in conjunction with any device or accessory other than the appropriate device for which this product is designed. The manufacturer will not be responsible for any damages you or any third party may suffer as a result of the misuse of this product as outlined above. The purchaser agrees to defend, indemnify, and hold the manufacturer harmless for any claims or damages arising from unintended use or misuse, including use with an unintended device.

FCC WARNING

This device complies with part 15 of the FCC Rules. Operation is subject to the following two conditions: (1) this device may not cause harmful interference, and (2) this device must accept any interference received, including interference that may cause undesired operation.

Any changes or modifications not expressly approved by the party responsible for compliance could void the user's authority to operate the equipment.

NOTE: This equipment has been tested and found to comply with the limits for a Class B digital device, according to Part 15 of the FCC Rules. These limits are designed to provide reasonable protection against harmful interference in a residential installation. This equipment generates, uses and can radiate radio

frequency energy and, if not installed and used following the instructions, may cause harmful interference to radio communications. However, there is no guarantee that interference will not occur in a particular installation.

If this equipment does cause harmful interference to radio or television reception, which can be determined by turning the equipment off and on, the user is encouraged to try to correct the interference by one or more of the following measures:

- Reorient or relocate the receiving antenna.
- Increase the separation between the equipment and receiver.
- Connect the equipment into an outlet on a circuit different from that to which the receiver is connected.
- Consult the dealer or an experienced radio/TV technician for help.

The equipment complies with FCC radiation exposure limits set forth for an uncontrolled environment. During the operation of device a distance of 15 cm surrounding the device and 20 cm above the top surface of the device must be respected.

FCC ID: 2AR15-MCMP1-010

