

承认书

SPECIFICATION FOR APPROVAL

客户名称 (CUSTOMER): 深圳市小九科技有限公司

客户料号 (CUSTOMER P/N): C51线圈

品名 (DESCRIPTION): C51线圈

DATE: 2023-8-29

规格 (SPECIFICATION): G43.5开槽+背胶 20mm

REV.NO.: A0

小九科技承认签核

部门	确认/日期	审核/日期	批准/日期	

备注:

惠尔无线承认签核

部门	确认/日期	审核/日期	批准/日期	
	谢华秀 2023-8-29	朱金路 2023-8-29	李亚飞 2023-8-29	

备注:

深圳市惠尔无线技术有限公司

Shenzhen H-Wireless Technology Co., Ltd

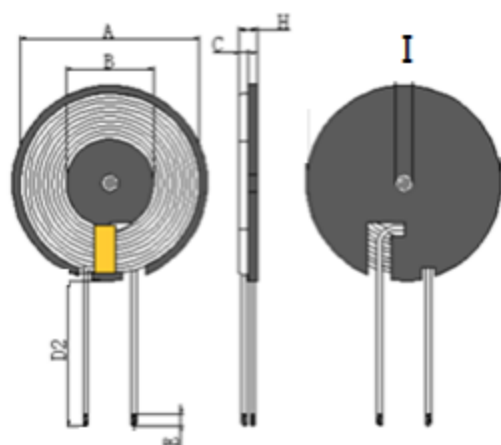
ADD: 深圳市龙岗区吉华路399号红门一期C栋503

TEL: +86-755-85236567

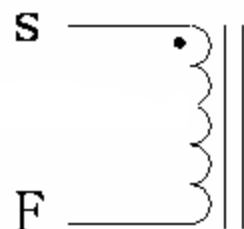
page: 1/3

SPECIFICATION FOR APPROVAL

1. MECHANICAL DIMENSION (UNIT:mm)



2. SCHEMATICS:



1. Coil with magnetic sheet, magnetic sheet size $43.5 \pm 1\text{mm}$, thickness is $0.8 \pm 0.05\text{mm}$
Open the L slot.
2. Coil outlet position
Adhesive paper 1-2Ts;
3. The bottom of the magnetic isolation sheet should be pasted with adhesive tape

A	B	C	D2	E	H	I			I
40.5 ± 1.0	20 ± 1	0.8 ± 0.05	20 ± 3	4 ± 2	2.8MAX	5 ± 0.5			

3. WINDING:

STEP	START-FINISH	WIRE TYPE	TURNS	TAPE	REMARK
N1	S-F	丝包线 $\varnothing 0.08 \times 105\text{mm}$ 2UEW	10TS (Ref)		

4. ELECTRICAL SPECIFICATION:

ITEM	L	DCR	L	Q值	HI-POT
TEST	Coil plus magnetic sheet	S-F	separate coil		
COND	100KHz, 0.25V	AT 25°C	100KHz, 0.25V		
SPEC	$6.8\mu\text{H} \pm 10\%$	$60\text{m}\Omega$ Max	$3.8\mu\text{H} \pm 15\%$		

5. BILF OF MATERIAL :

NO.	ITEM	MATERIAL SPECIFICATION	MANUFACTURER	SGS NO.
1	Silk covered wire 0.08×105 strands	Acetone wire covered wire 0.08×105 strands	NANJINGJINNINGCO,LTD	
2	Lead-free tin bar	Lead-free tin bar	QIAODO	
3	Magnetic disk	$\varnothing 44 \times 0.8$ manganese zinc hard magnetic sheet with L slot	TAIYI CO.,LTD	
4	Glue	Yellow gum 9999	LIANCHENG CO.,LTD	
5	High temperature tape	7mm wide high temperature adhesive tape	CUDAK CO.,LTD	
6	Adhesive	$\varnothing 1.5 \times 0.1$	CUDAK CO.,LTD	

		PART NO	
		TITLE	G43.5开槽+背胶 20mm
DRAWN BY	CHECKED BY		APPROVED BY
朱金路	李亚飞		李亚飞

SPECIFICATION FOR APPROVAL

6. SAMPLE TEST DATA

6.1 DIMENSION TEST (UNIT: mm)

TEST ITEM	A	B	C	D	E	H	I		
SPEC	43.8±1.0	20±1	0.8±0.05	20±3	4±2	2.8MAX	5±0.5		
1	43.87	20.59	0.81	20	3.50	2.55	5.03		
2	43.89	20.67	0.8	19.5	3.60	2.56	5.02		
3	43.91	20.68	0.83	20.1	3.70	2.49	4.99		
4	43.98	20.59	0.82	19.8	3.80	2.52	5.01		
5	43.97	20.57	0.85	20.2	4.00	2.50	5		
6									
7									
8									
9									
10									
MAX	43.98	20.68	0.85	20.20	4.00	2.56	5.03		
MIN	43.87	20.57	0.80	19.50	3.50	2.49	4.99		
AVERAGE	43.92	20.62	0.82	19.92	3.72	2.52	5.01		

6.2 ELECTRICAL TEST

TEST ITEM	L		DCR	IDC	Q	HI-POT			
	S-F		S-F						
TEST COND	100KHz/0.25v		AT 25°C						
SPEC	6.8uH ±10%		60mΩ (Max)						
1	6.84		42.00						
2	6.89		42.30						
3	6.88		42.50						
4	6.87		42.10						
5	6.81		42.35						
6	6.79								
7									
8									
9									
10									
MAX	6.89		42.50						
MIN	6.79		42.00						
AVERAGE	6.85		42.25						

PART NO

TITLE

G43.5开槽+背胶 20mm

DRAWN BY

CHECKED BY

APPROVED BY

朱金路

李亚飞

李亚飞