

SOUNDBLAST SPEAKER

WHAT'S INCLUDED

- SoundBlast Speaker
- USB Charging Cable
- Auxiliary Cable

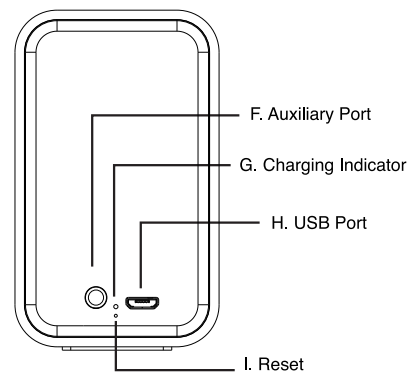
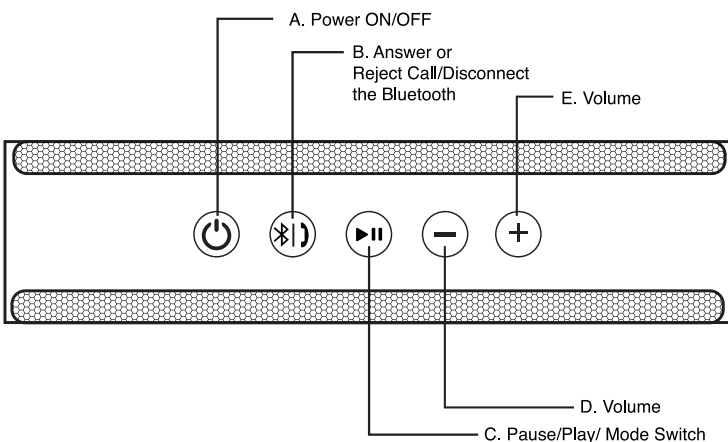
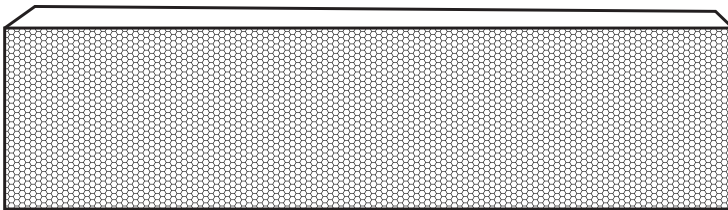
SPECIFICATIONS

- Model No.: 1009300
- Power: 8W x 2
- Bluetooth Version: V4.2
- Play Mode: Bluetooth/AUX
- Battery size: Built-in 2000mAh lithium polymer battery
- Input Power: DC 5V, 1.2A (Micro USB Port)

FEATURES

- Built in rechargeable battery
- Auxiliary connection
- Compatible with BLUETOOTH® devices

MEET YOUR SOUNDBLAST SPEAKER



FUNCTION LIST

MODE/BUTTON	BLUETOOTH	AUX IN
	Long Press - ON/OFF	
	Short Press - Answer/End Call Long Press - Disconnect Bluetooth Double Click - Redial the last call	N/A
	Short Press - Play/Pause Long Press - Mode Switch	Short Press - Play/Pause
	Short Press - Volume Down Long Press - Previous Track	Short Press - Volume Down
	Short Press - Volume Up Long Press - Next Track	Short Press - Volume Up

SOUNDBLAST SPEAKER

Pairing the Speaker

Your device must have BLUETOOTH® capability. Consult your device manufacturer or user manual if you are unsure if your device has this feature. Turn off any devices that may have been previously paired to the speakers.

1. Turn speaker ON.
2. Place your device within 3 feet of speaker, Figure 1.
3. Enable BLUETOOTH® on your device and search for new BLUETOOTH® devices. Refer to your device's manual on how to enable and operate BLUETOOTH®.
4. Select SI SoundBlast Speaker from the list of BLUETOOTH® available devices, Figure 2.
5. A tone coming from the speaker will notify you when the speaker is successfully paired and the LED light next to the power button will be solid.
6. You can now stream music wirelessly from your device to your speakers.

Note: If you restart the speaker it will automatically pair with your device. A tone will notify you when the speaker is successfully paired.

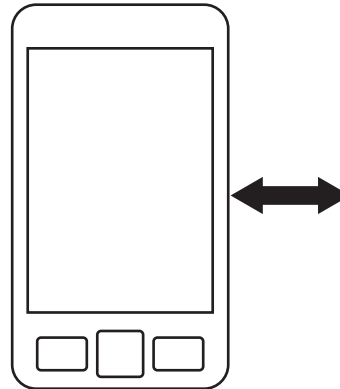


Figure 1

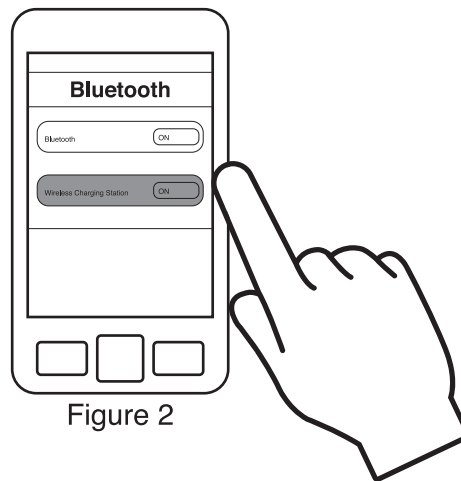


Figure 2

⚠ RECHARGEABLE BATTERY WARNING:

- This product contains batteries that are non-replaceable.
- There is a risk of fire and personal injury if battery is punctured, damaged, or misused.
- Do not dismantle, crush, incinerate or short-circuit battery.
- Never expose battery to extreme temperatures or moisture.
- Keep away from flammable materials and direct sunlight.
- Only charge using the provided charger, cable, and/or adapters.
- Rechargeable battery is only to be charged by an adult.
- Adult Supervision of the battery while it is charging is required.
- Allow battery to cool to room temperature before charging.
- Charge on a non-flammable surface and keep away from flammable products
- Discontinue charging if battery becomes hot, swells, smokes, or gives off a strong odor.
- Battery chargers used with the product are to be regularly examined for damage to the cord, plug, enclosure, and other parts, and in the event of such damage, they must not be used until the damage has been repaired.
- Recycle or dispose of battery according to federal, state, and local laws
- Keep these instructions for future reference.

WARNING: Changes or modifications not expressly approved by the party responsible for compliance could void the user's authority to operate the equipment

This device complies with Part 15 of the FCC Rules. Operation is subject to the following two conditions: (1) this device may not cause harmful interference, and (2) this device must accept any interference received, including interference that may cause undesired operation.

NOTE: This equipment has been tested and found to comply with the limits for a Class B digital device, pursuant to Part 15 of the FCC Rules. These limits are designed to provide reasonable protection against harmful interference in a residential installation. This equipment generates, uses and can radiate radio frequency energy and, if not installed and used in accordance with the instructions, may cause harmful interference to radio communications. However, there is no guarantee that interference will not occur in a particular installation. If this equipment does cause harmful interference to radio or television reception, which can be determined by turning the equipment off and on, the user is encouraged to try to correct the interference by one or more of the following measures:

- Reorient or relocate the receiving antenna.
- Increase the separation between the equipment and receiver.
- Connect the equipment into an outlet on a circuit different from that to which the receiver is connected.
- Consult the dealer or an experienced radio/ TV technician for help.

SAFETY WARNINGS: PLEASE READ BEFORE USE

- Not a children's item. Keep out of the reach of children.
- Only use the included power cable for operation.
- Do not attempt to use this product for other purposes.
- Do not expose to extreme temperatures or moisture.
- Thoroughly inspect products before every use. If the product appears worn, frayed/splintered, cracked, or broken in any manner, discontinue use and discard immediately.

©2018 MerchSource, LLC. Irvine, CA 92618. All rights reserved.

For technical support, please call 1-800-374-2744.

KEEP THIS INSTRUCTION MANUAL AS IT CONTAINS IMPORTANT INFORMATION FOR FUTURE REFERENCE.

Due to continuous product improvements, the picture on the manual may differ slightly from the actual product.

The Bluetooth® word mark and logos are registered trademarks owned by Bluetooth SIG, Inc. Computers, tablets, Smart Phones, and music players must have built-in BLUETOOTH® wireless technology or 3.5 mm stereo mini plug to connect.

Printed in China.