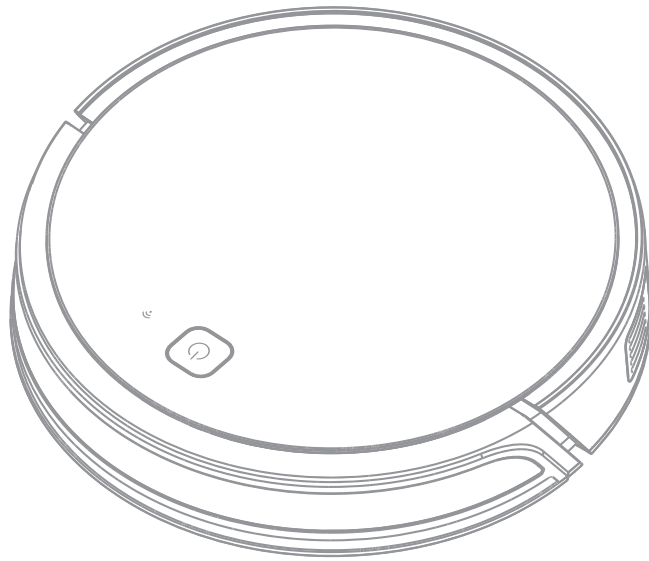


T700

User Manual

Please read the instructions carefully before using this product and keep it properly.



CONTENT

1.Safety Regulations	3
2.Product Composition	4
2.1Component Name	4
2.2Technical Parameter	7
3.Product Instructions	8
3.1Considerations	8
3.2Rapid Operation	9
3.3Mode Selection	12
3.4Use of Water Permeable Rag	14
3.5Roller Brush Assembly and Sucking Assembly	15
3.6APP Download and Network Configuration	16
3.7Reservation Setting	17
3.8Unbind Device	17
4.Maintenance	18
4.1Dust Box and Filter	18
4.2Water Tank Assembly	19
4.3Rolling Brush、Suction and Side Brushes	20
4.4Other Assembly	21
5.Light Effect And Alarm Tips	22
5.1Light Effect	22
5.2Alarm Tips	22
6.FAQ	24

1.Safety Regulations

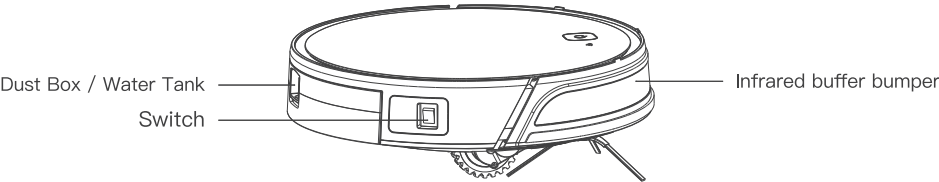
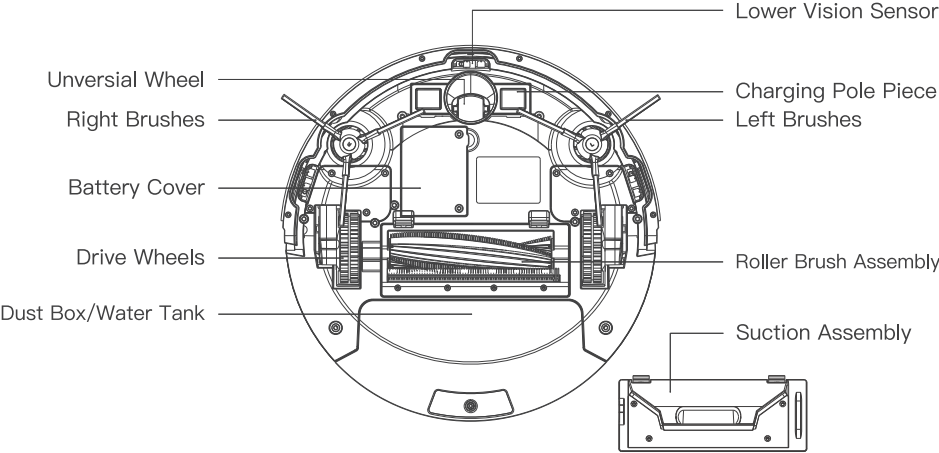
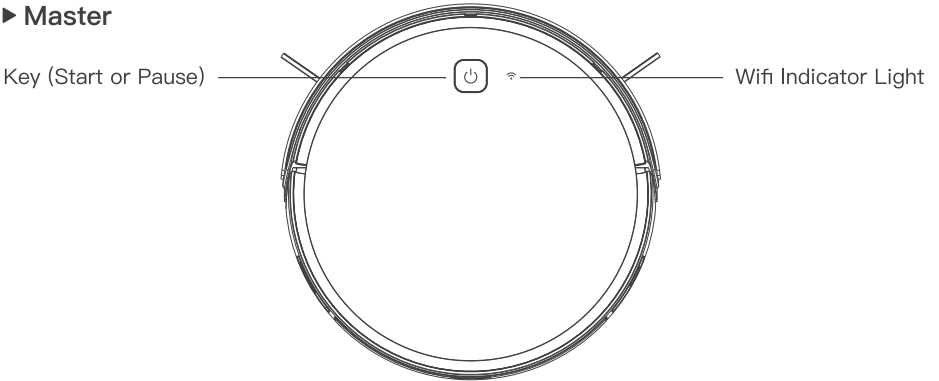
When using the product, please keep your vigilance and follow below information
Please read the manual carefully before using the product. Please keep instruction

- 1) Products cannot be used by children under 8 years of age or people with mental disabilities. If you need to use it, please do so under the supervision of the guardian. Please do not let children ride on the product or play the product as a toy.
- 2) Problems that may arise in cleaning products should be eliminated as early as possible. Clean the power cords and small items on the floor to prevent the product from being blocked during the cleaning process. Fold the edge of the carpet to the underside of the carpet, and keep the hanging curtains, tablecloths, etc. from touching the ground.
- 3) If there is a suspended environment such as a staircase, test the product first to see if it can detect the edge of the suspended area without falling. Protective barriers should be installed at the edge of the suspended area to prevent falling products. Make sure that the protective equipment does not cause personal injury.
- 4) Please follow the manual in the instructions to use the product. Use only accessories recommended or sold by the manufacturer.
- 5) Ensure that the power supply voltage meets the voltage indicated on the cradle
- 6) Used only in indoor home environments. Do not use in outdoor, commercial or industrial locations.
- 7) Use only original rechargeable batteries and charging docks that are unique to the manufacturer. Do not use non-rechargeable batteries. For battery specifications, please refer to "Technical Data".
- 8) Ensure that dust boxes and filter materials are installed before using products.
- 9) Use of the product in an environment with open flames or fragile items is prohibited.
- 10) Do not use the product in extreme heat (above 40 ° C) or very cold (below -5 ° C).
- 11) It is forbidden to close the body's hair, clothes, fingers and other parts close to the opening and operating parts of the product.
- 12) Do not use the product in a room where infants sleep.
- 13) Do not use the product on wet or watery ground.
- 14) It is forbidden to absorb any items such as stones, waste paper and any other products that may block the product.
- 15) Do not allow the product to absorb any flammable materials such as toner, toner or toner for printers or copies. Do not use the product in a clean area with flammable materials.
- 16) Do not take any product that is burning, such as cigarettes, matches, ash, or other items that may cause a fire.
- 17) Do not place items at the suction outlet. Do not use products when suction is blocked. Clean dust, cotton wool, hair, etc. at the suction port to ensure smooth air circulation at the suction port.
- 18) Use the power cord carefully to avoid damage. Do not use the power cord to drag or pull the product and the product charging stand. Do not use the power cord as a handle. Do not clamp the power cord into the door seam. Do not pull the power cord at sharp corners and corners. Do not operate the product on the power line, and the power cord should be kept away from heat.
- 19) If the power cord is damaged, it must be replaced by a manufacturer, a professional in its maintenance department or a similar department to avoid danger.
- 20) Do not use the damaged charging stand.
- 21) Do not use the product with a damaged power cord or power outlet. Do not use the product when it is not working properly due to dropping, damage, outdoor use or water ingress. To avoid injury, the product should be repaired by the manufacturer or its after-sales service.
- 22) Turn off the product switch before cleaning and maintaining the product.
- 23) The plug must be unplugged from the power outlet before cleaning and maintaining the product.
- 24) Before discard of the product, remove the product from the charge stand, turn off the product power switch, and remove the battery.
- 25) The product battery must be removed and discarded in accordance with local laws and regulations before disposing of the product.
- 26) Please dispose of used batteries in accordance with local laws and regulations.
- 27) Even if the product has been severely damaged, it is forbidden to incinerate the product, and the product battery may cause an explosion.
- 28) If you do not use the product for a long time, please turn off the product.
- 29) Please follow the instructions in the manual to use the product. The company is not responsible for any loss or damage caused by improper use.

2.Product Composition

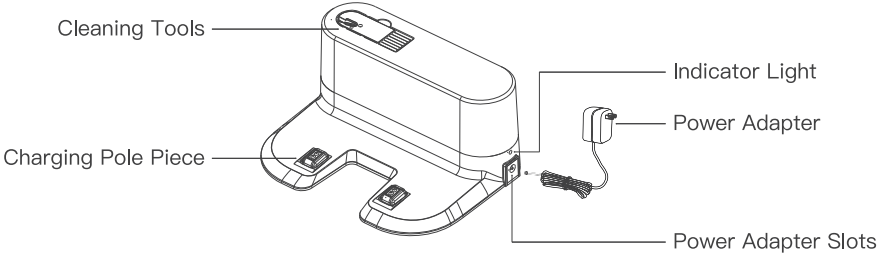
2.1 Assembly Name

► Master

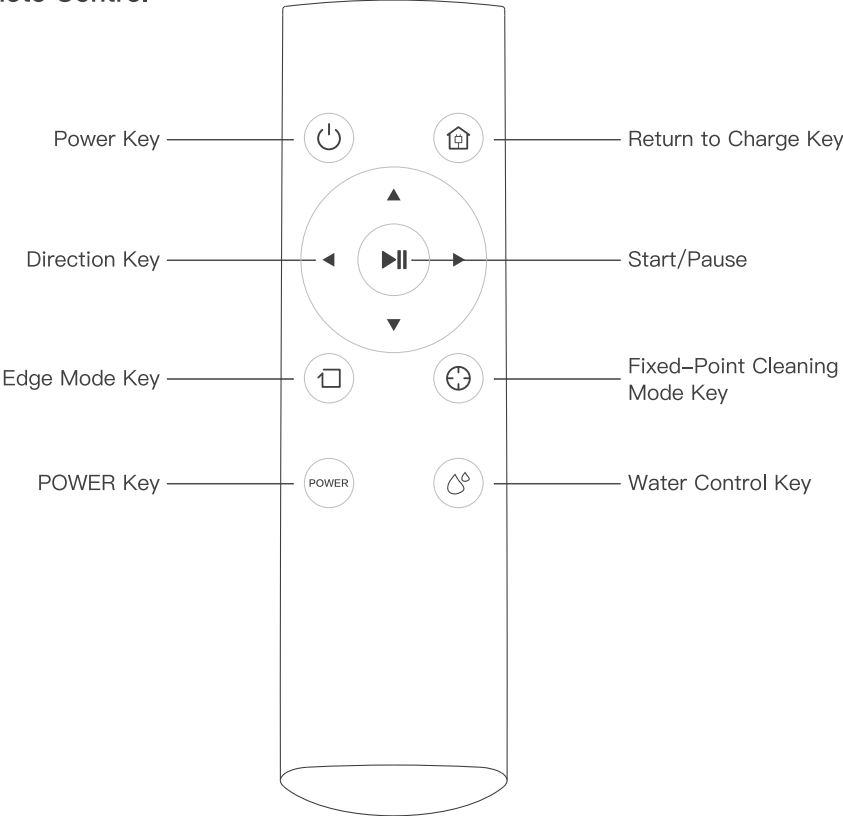


2.Product Composition

► Charging Stand Assembly

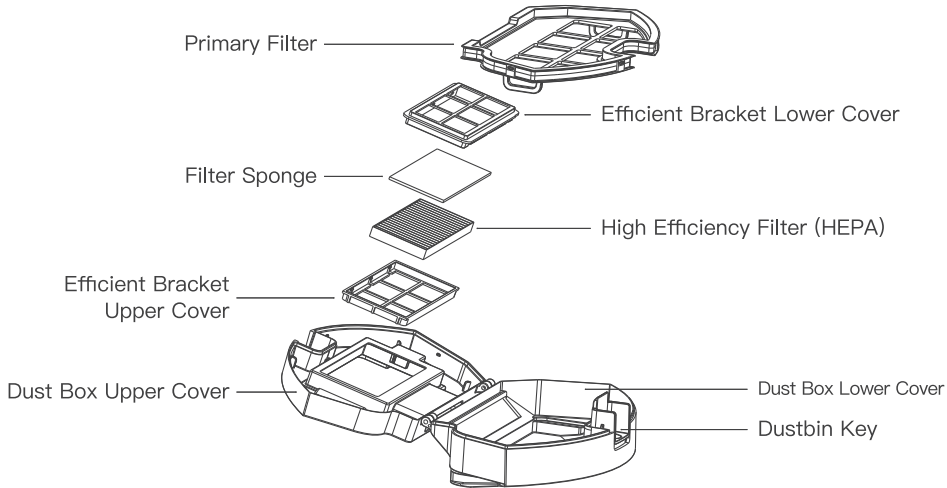


► Remote Control

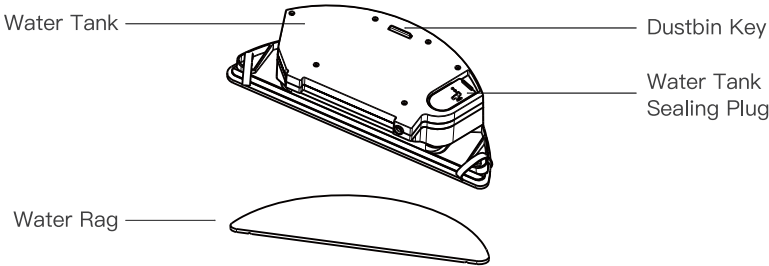


2.Product Composition

► Dust Box






► Water Permeable Rag Assembly



2.Product Composition

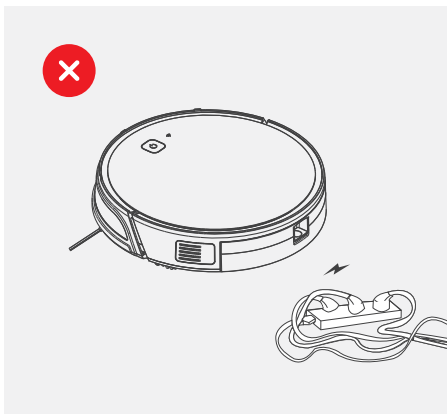
2.2Technical Parameters

Master Model: T700	
Working Voltage: 14.52 V 	Power Rating: 25
Charging Stand	
Rated Input Voltage: 19 V 	Rated output current: 0.6
Battery and Specifications	Lithium Battery 2600mAh
Adapter Model	
Chinese: GSCC0600S019V12E / US: GSCU0600S019V12E / UK: GSCB0600S019V12E	
In put: 100–240 V~0.5A Max 50/60Hz	Out Put: 19 V  0.6 A

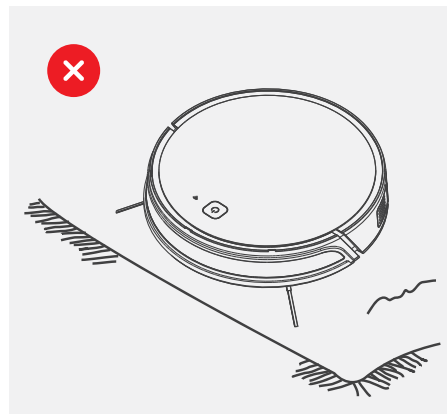
3.Product Composition

3.1 Considerations

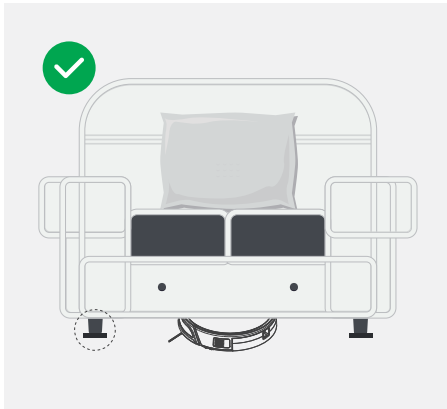
Please refer to the following guidelines to check the cleaning area before the main engine works.



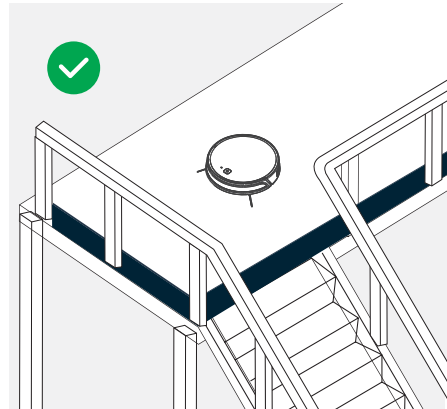
Power lines and other debris scattered on the ground may trip up.Product must be removed



Please roll the carpet tassels or work on short-hair rugs.



A gap of less than 8 cm on the bottom of the furniture may catch the product. If you need to clean it, please raise the furniture.



A guardrail should be placed at the edge of the duplex to ensure safe operation of the product.

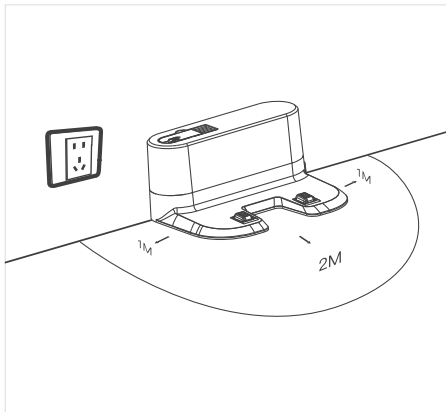
3.Product Composition

3.2Rapid Operation

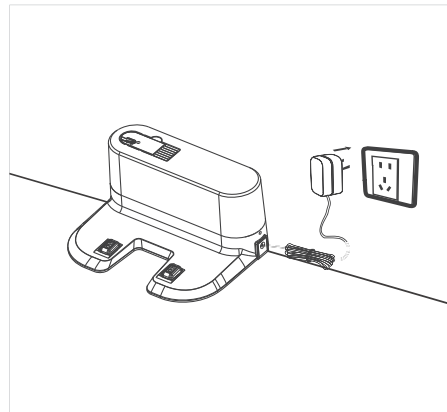
Charging Preparation

1 Connect the adapter to the charging stand

Place the charging stand flat against the wall. Do not place objects in the left and right 1M and the front 2M, and do not have objects with strong reflection surfaces such as mirrors.



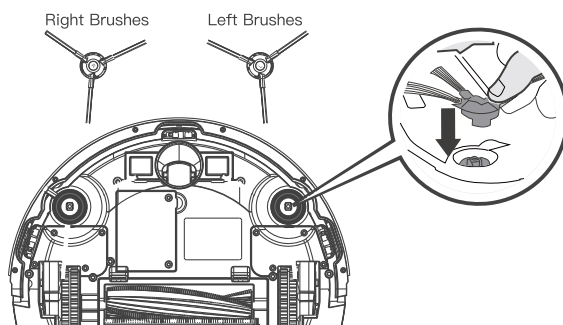
Place the charging stand



Connect the power supply

2 Install The Side Brushes

Please install the right brush into the right bottom mounting port of the machine, the left brush into the left bottom mounting port of the machine, and ensure that the two side brushes are in place



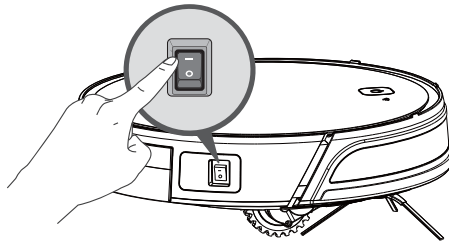
3.Product Composition

Start to charge

1 Turn On The Master

Turn on the side power switch, “I” is the turn on, “O” is the turn off.

After the master finishes working, it is recommended not to shut down; keep the master in a state of charge so that it can perform its next job better.

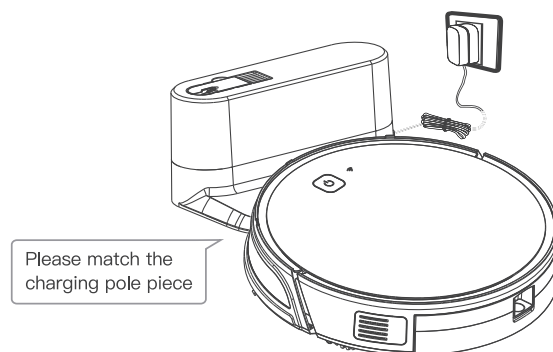


2 Master Charge

Place the master in the charging stand and pay attention to the charging pole piece



⏻ The key blue light flashes, charging ⏻ The blue light of the key is always on and charging is completed.

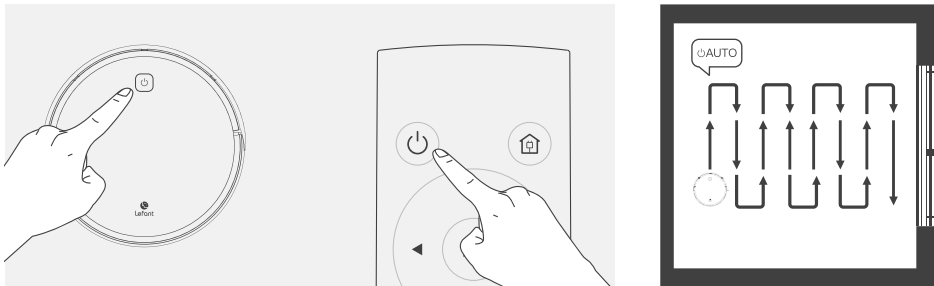
For the first time, please charge continuously for more than 12 hours






3.Product Composition

Start Cleaning

Start the planning and cleaning mode with the master's  key or remote control  key



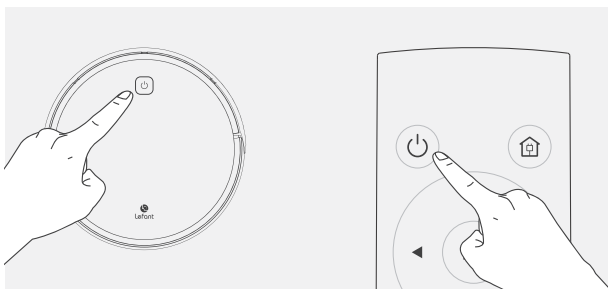
Before starting the mode, make sure that the outer ring of the  key is red/blue and the master is in the state of being awakened. If the master does not wake up, short press the master  or remote control  key to wake it up.

The master enters the sleep state after 10 minutes of standby, and the  key light is off.

If you need to select another mode, please refer to the (Mode Selection) section.

Stop Working

While the master is working, press the master  key or remote control and the master will pause.






3.Product Composition

3.3Mode Selection

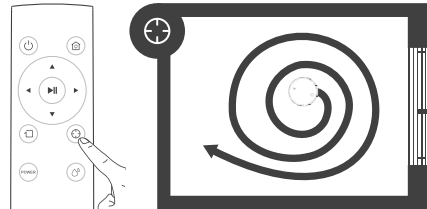
In order to adapt to different ground conditions and achieve deep cleaning, this product has a variety of cleaning modes, which can be selected by remote control as needed.

The remote control can switch any mode directly.

Before starting the mode, make sure that the outer ring of the  key is red/blue and the master is in the state of being awakened. If the master does not wake up, short press the master  or remote control  key to wake it up.

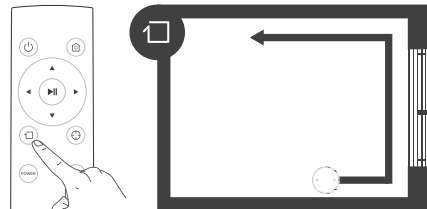
Fixed-Point Mode

It is suitable for the ground environment where the garbage is concentrated. The master centralized cleaning in the designated area, and master centralized cleaning with the "spiral" route. After the diameter is 1m, the machine returns to the original point. If the obstacle is encountered in the middle, the spiral is cleaned for 2 minutes



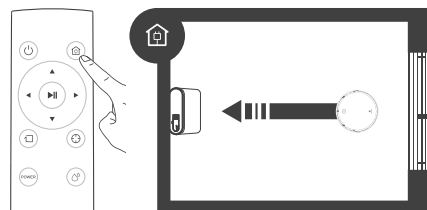
Edge Mode

It is suitable for cleaning at the corners of the room. The master is cleaned around the periphery of a fixed object (such as a wall) and cleaned back to the charging stand.



Return Charging Mode

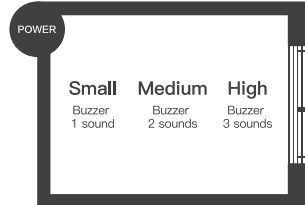
It can also be commanded by the button on the remote control to start the "return charging" mode. During the cleaning process, the master can sense that its own power is insufficient, and automatically start the "return charging" mode, and automatically find the charging stand for charging.



3.Product Composition

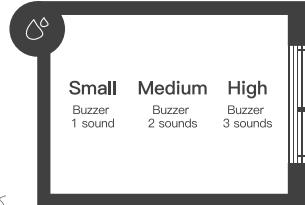
POWER MODE

The power of the master can be commanded by the POWER button on the remote control. The size of the master is small, medium and high. The buzzer of the master prompts 1 sound, 2 sounds and 3 sounds respectively.



Water Control Mode

The water drop button on the remote control can be used to command the drip size of the water tank in the mopping mode, sub-small, mid-range, high-grade, and the main buzzer prompts 1 sound, 2 sounds, 3 sounds respectively



3.Product Composition

3.4Use of Water Permeable Rag

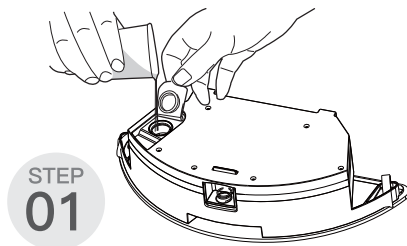
This product is equipped with a water tank assembly. After the cleaning work is completed, if there is a demand for mopping, the dust box can be replaced with a water tank assembly. For the cleaning method, please refer to the [Maintenance] section in this manual.

Do not use the water tank assembly on the carpet. When cleaning with the rag function, fold the edge of the carpet to avoid foreign matter on the rag from soiling the carpet.

In the cleaning, please pay attention, add water or clean up in time, remove the water storage box when adding water. When charging, be sure to remove the water permeable wiper assembly.

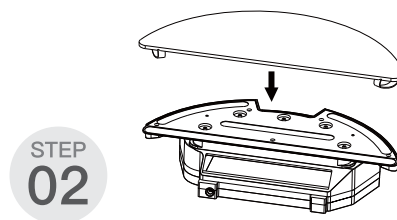
■ Add Water

Open the water inlet cover and take enough water.



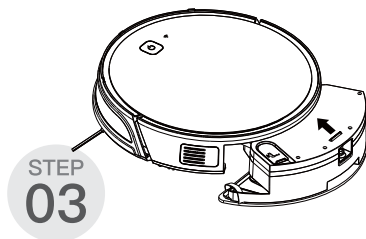
■ Sticking The Water Rag

Close the water inlet cover and stick the water rag.



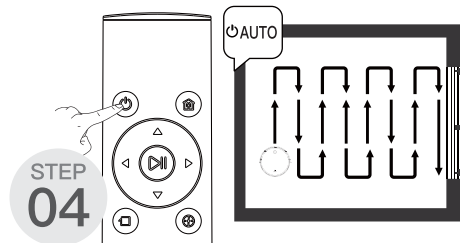
■ Install Water Tank Assembly

Press the dust box release button at the rear of the master to remove the dust box and replace the water tank assembly.



■ Mop

Start any cleaning mode as needed, and the master will perform cleaning and mopping.



3.Product Composition

3.5 Roller Brush Assembly and Sucking Assembly

Assembly Choices

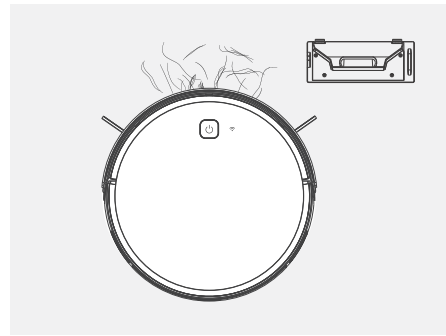
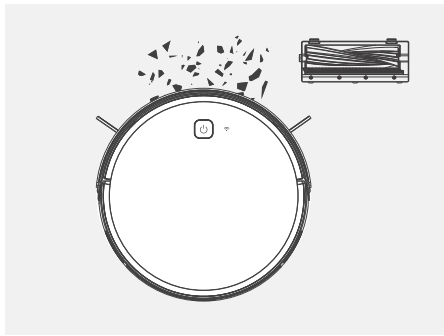
It comes with roller brush assembly and sucking assembly to satisfy different needs.

Roller brush assembly:

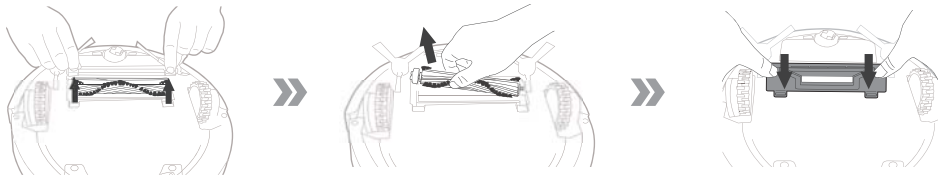
Scratch the floor, sweep and suck dust effectively.

Sucking assembly:

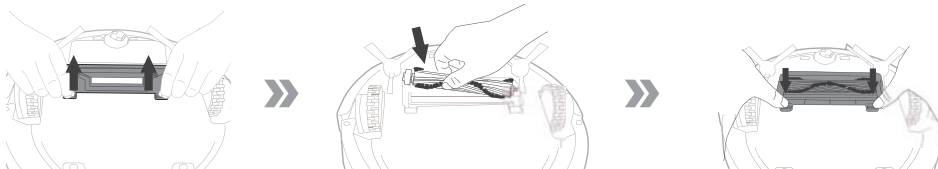
used for daily cleaning, specially for hair and pet hair.



Set sucking parts: take Aout roller brush cover board and brush first, and change suction cover board and then press to lock.



Set roller brush assembly: take out sucking assembly first, set the roller brush and cover the board and then press to lock.



3.Product Composition

3.6APP Download and Network Configuration

This product can be remotely controlled via the mobile phone APP. Please follow the instructions below or refer to the product guide in the APP interface.

1.Download/Installation

Please scan QR Code as per product model,download and install APP.

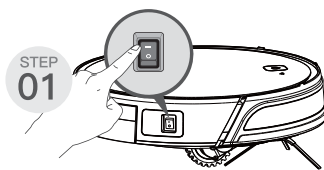
This app is for iOS9.0 and Android4.0 and above. If the phone version is too low, please upgrade first.

2.Network Configuration And Usage

You can use the following operating instructions or mobile app interface to guide the network and use the product.

■ Wi-Fi Mode

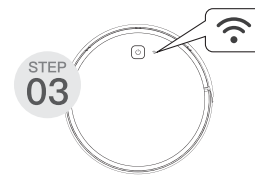
Please ensure you are in a room with strong Wi-Fi signal, sign up and login App.



Turn on the robotic vacuum cleaner

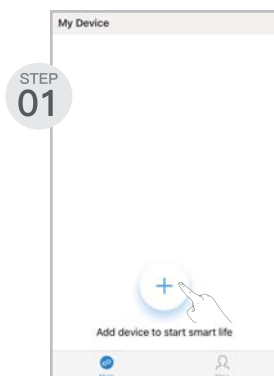


Keep pressing the AUTO icon and bumper for 3 seconds until a sound comes out



The indicator flashes when the cleaner is searching Wi-Fi

■ Open APP and choose to add device like below images



Open App and add device



Enter WIFI password pairing according to current WIFI






After the distribution network, enter the main interface

Notice: If it fails to connect the Wi-Fi, please turn on the device again and follow steps to connect Wi-Fi.

3.Product Composition

3.7Reservation Setting

For more convenience, there is a preset function. Use the APP to control the device. When you preset successfully, the cleaner can be programmed to automatically start cleaning at specified times of the day. 6 different preset times are available.

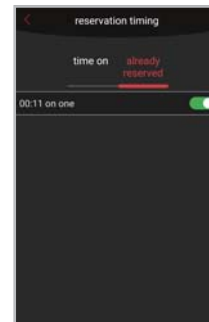
Before setting the reservation time, make sure that the master button  is red/blue and the master is awake. If the master does not wake up, press the master  or remote control  button to wake it up.



Setting Resersvation Time



Setting Reversation Time for one time or repeat

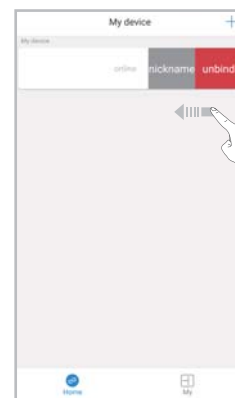


Cancel Reserved settings Under the "Reserved" item, delete the reversionation time.

3.8Unbind Device

Unbind device via App

- 1.Login App
- 2.In device list, press the device you wanna unbind and slide left can come out choices
- 3.Click Unbind to unbind the device and user

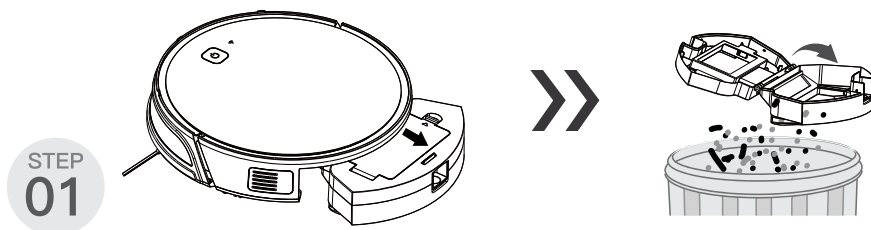


4.Maintenance

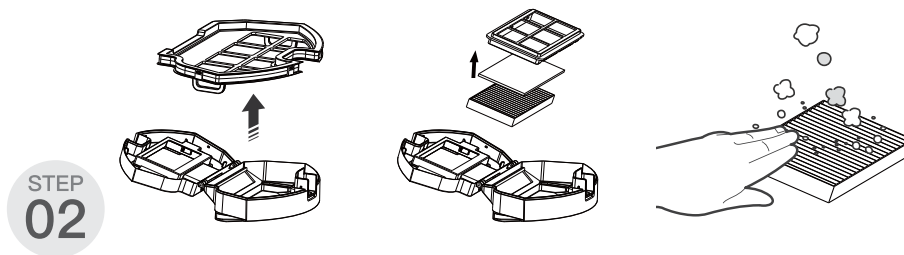
4.1Dust Box and Filter

When cleaning and maintaining the master and its accessories, turn off the master and unplug the charging stand.

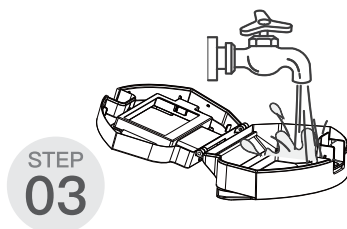
- Remove the dust box, open the dust box cover, and clean the garbage;



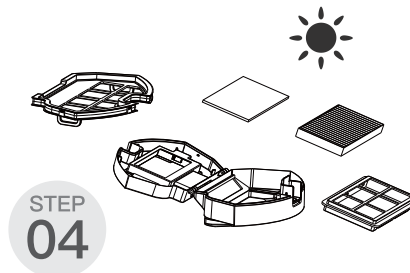
- Remove dust filter. HEPA is not recommended for washing. Please pat and remove ash.



- Flush the dust box and the primary filter;



- Dry the dust box and dust filter assembly and keep it dry to ensure its service life.

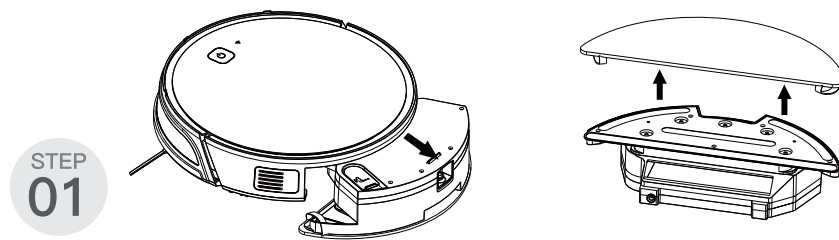


4.Maintenance

4.2 Water Tank Assembly

Cleaning Of Water Rag

- **Remove:** After the mopping is completed, remove the water tank assembly and remove the water permeable rag.



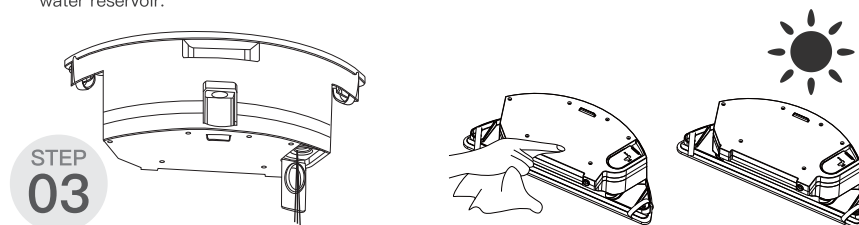
- **Maintenance:** Rinse and dry the water rag



■ Cleaning The Water Reservoir

Remove: After mopping the floor, remove the water tank assembly, remove the water permeable cloth, and pour off the remaining water in the water reservoir.

Maintenance: Dry the reservoir and allow it to dry.

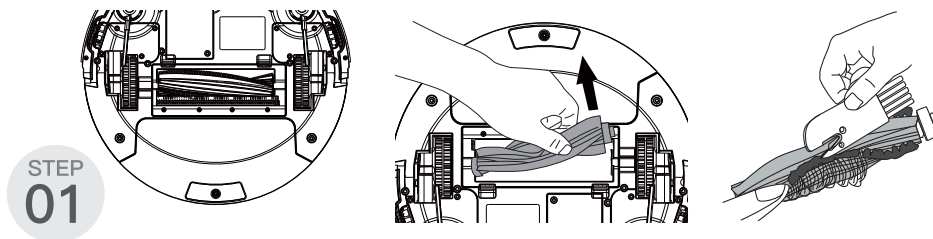


4.Maintenance

4.3Rolling Brush、 Suction Port、 Side Brushes

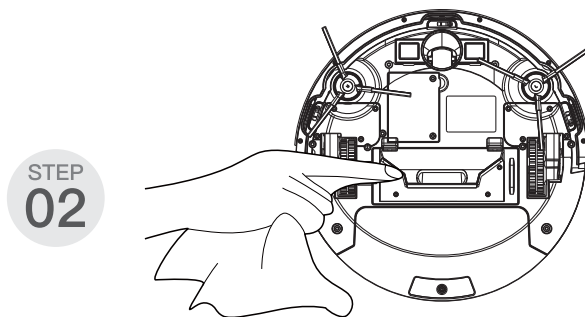
■ Cleaning Rolling Brush

Remove the rolling brush cover plate, remove the rolling brush, cut off the hair wound on the rolling brush, and facilitate cleaning.



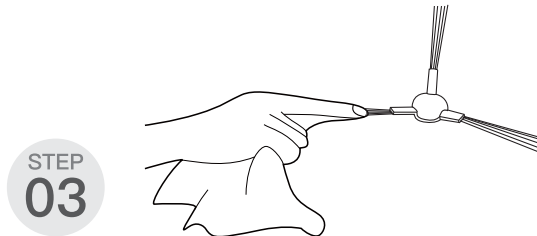
■ Cleaning Suction Port

If there is more dust on the suction port, please use a rag to clean it.



■ Cleaning Side Brushes

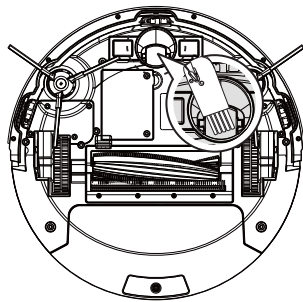
Pull out the side brush and wipe it with a clean rag.



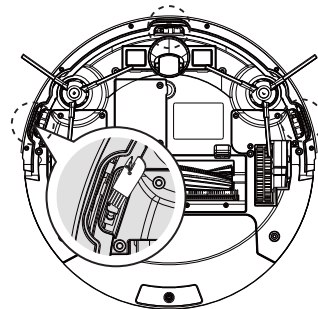
4.Maintenance

4.4Other Assembly

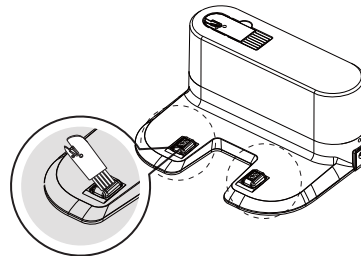
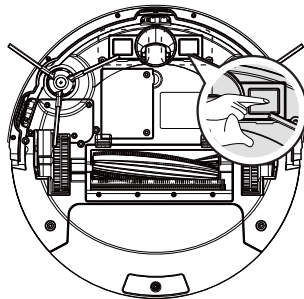
- Clean the universal wheel to reduce hair entanglem.



- Clear down the sensor to ensure the sensitivity of the sensor.



- To clean the charging pole pieces, use a dry rag to clean the charging poles on the bottom of the master or the charging stand



Do not use this product for a long time, please remove the battery and keep it in a safe place. If the battery leaks, remove the battery and wipe the battery compartment clean.
This product uses a high-life battery and does not require frequent replacement. If you need to replace, you can contact our company for after-sales service replacement.

5. Lighting Effects And Alarm Tips

5.1 Lighting Effects

Master Status	AUTO Display Status	WiFi Display Status
Charging	Red light/pink light/ blue light breathing	As per current networking status
Finished Charging	Blue light is always on	As per current networking status
When the machine fails	Red light flashes or lights up	As per current networking status
Low Battery	Red light is always on	As per current networking status
Cleaning Mode	Blue light is always on	As per current networking status
Before starting distribution network	Blue light is always on	Blue light flashes
Distribution process/ Loss of signal reconnection	Blue light is always on	Exit the distribution network after 5 minutes, the blue light is off
Connect to Wi-Fi	Blue light is always on	Blue light is always on

5.2 Alarm Tips

When the host fails, the red light of the outer ring of the host key flashes, and the buzzer sounds of different lengths will be emitted. Refer to the following table to check the cause of the fault:

Red light is always on :

No	Cause of Failure	Tips Sound	APP Err or Code	APP Error Message	Solution
1	Driving wheel abnormal	3 times in 1 sound	1	The drive wheel is abnormal, please exclude foreign matter	Check if the drive wheel is entangled and clean the side brush
2	Side brushes abnormal	3 times in 2 sounds	2	The side brush is abnormal, please clear the winding	Check if the side brush is entangled and clean the side brush
3	Fan anomaly	3 times in 3 sounds	3	The fan is abnormal. Please exclude the abnormality.	Clean up the garbage and air ducts in the dust box
4	Rolling brush abnormal	3 times in 4 sounds	4	Rolling brush is abnormal, please exclude exception	Check if the roller brush is entangled and clean the roller brush
5	Dust box/tank detection abnormal	3 times in 5 sounds	5	No dust box or water tank is detected, please put it in the dust box or water tank	Please check the dust box or water tank and put it in the dust box or water tank
6	Omnidirectional induction failure	3 times in 6 sounds	6	All-round induction failure, please exclude abnormalities	Please clean the omnidirectional lens
7	Inductive failure along the wall	3 times in 7 sounds	7	Wall failure induction, please remove exceptions.	Please check the wall and clean the omnidirectional lens

5. Lighting Effects And Alarm Tips

Red Light Flashes:

No	Cause of Failure	Tips Sound	APP Err or Code	APP Error Message	Solution
1	Collision Over 20s	3 times in 1 sound	1	The collision switch is abnormal. Please exclude the abnormality	Check if the infrared anti-collision sensor is stuck with foreign matter.
2	Ground Penetrating	3 times in 2 sounds	2	The master is suspended, please move to the ground	The master is suspended, please move to the ground
3	Get Out Of Trouble	3 times in 3 sounds	3	Failed to get out of trouble, please move to the open space	Failed to get out of trouble, please move to the open space
4	Low battery	3 times in 4 sounds	4	The battery is too low, please charge	The master voltage is too low and needs manual assistance to charge

Tips

If the above method does not solve the problem, please try the following:
Re-open the power switch on the side of the master and restart the machine.

6.FAQ

If the following problems occur during the use of the product, you can solve it yourself by checking the queries.

No	Cause of Failure	Probable Reasons	Solution
01	Master cannot be charged	The master is not in full contact with the charging pole of the charging stand.	Make sure that the master is fully docked with the charging poles of the cradle.
		The charging stand power is turned off and the main power switch is turned on, resulting in power loss.	When the master does not work, it is recommended to keep it in charge so that it can carry out the next work better
02	The master is in trouble when working	The master is entangled or obstructed by scattered wires on the ground, drape curtains or carpet edges.	The master will try various ways to get rid of difficulties, if you are not able to get out of trouble, it is recommended to help manually
03	After the cleaning is completed, the host returns to charging.	When the master is working, it can sense that the battery is low and automatically returns to charging.	Charge the master
		Wooden floor, tile and other flat ground master speed and time difference	The working time of the master varies depending on the complexity of the room, the amount of garbage and the cleaning mode.
04	The master did not automatically clean up according to the appointment time	The master power switch is not turned on, and the master is in the off state to clear the reservation information on the master side.	Turn on the power switch of the master, reconnect the network and use the APP to determine the reservation information.
		The master is low on battery.	When the master is in standby, it should be kept on the charging stand to ensure that it has sufficient power to work at any time.
		The master is clogged and tangled by garbage	Turn off the power and clean the dust box with the bottom of the master facing up. Clean each part separately.
05	The remote control is out of order (the remote control has an effective control range of 5 meters)	The remote control is low on battery.	Replace the battery with a new one and install it properly.
		Master power switch is not turned on or master is not enough power.	Make sure the master power switch is turned on and has sufficient power to complete the operation
		The infrared emission of the remote control or the master receiver is dirty and cannot transmit or receive signals.	Wipe the infrared emitter of the remote control and the infrared receiver of the master with a clean cotton cloth.
		There is a device interference signal that generates infrared rays near the master.	Avoid using the remote control near other infrared devices.

* CMIIT ID: 2018DP4073

* The images are only for reference, please make the object as the standard. Lohas reserves the right to update products without prior notice.

FCC ID:2ARHE-T700

FCC WARNING

This device complies with part 15 of the FCC Rules. Operation is subject to the following two conditions: (1) this device may not cause harmful interference, and (2) this device must accept any interference received, including interference that may cause undesired operation.

Any changes or modifications not expressly approved by the party responsible for compliance could void the user's authority to operate the equipment.

NOTE: This equipment has been tested and found to comply with the limits for a Class B digital device, pursuant to Part 15 of the FCC Rules. These limits are designed to provide reasonable protection against harmful interference in a residential installation. This equipment generates, uses and can radiate radio frequency energy and, if not installed and used in accordance with the instructions, may cause harmful interference to radio communications. However, there is no guarantee that interference will not occur in a particular installation. If this equipment does cause harmful interference to radio or television reception, which can be determined by turning the equipment off and on, the user is encouraged to try to correct the interference by one or more of the following measures:

- Reorient or relocate the receiving antenna.
- Increase the separation between the equipment and receiver.
- Connect the equipment into an outlet on a circuit different from that to which the receiver is connected.
- Consult the dealer or an experienced radio/TV technician for help.

To maintain compliance with FCC's RF Exposure guidelines, This equipment should be installed and operated with minimum 20cm distance between the radiator your body: Use only the supplied antenna.

hazardous components and contents in products

Items	Hazardous substances					
	Lead	Mercury	Cadmium	Hexavalent chromium	polybrominated biphenyls	Polybrominated Diphenyl Ethers
Electronic circuit	X	O	O	O	O	O
Switch	X	O	O	O	O	O
Power adapter	X	O	O	O	O	O
Magnetic strip	O	O	O	O	O	O
Battery assembly	O	O	O	O	O	O
Dust suction motor assembly	X	O	O	O	O	O
Side brush motor assembly	O	O	O	O	O	O
Side wheel motor assembly	O	O	O	O	O	O
Remote control module	O	O	O	O	O	O
Filter component	O	O	O	O	O	O
Side brush component	O	O	O	O	O	O
Universal wheel assembly	O	O	O	O	O	O
Dust collecting box assembly	O	O	O	O	O	O
Main components	O	O	O	O	O	O
Decorative cover assembly	O	O	O	O	O	O
Recharging docking station	O	O	O	O	O	O
Roller brush assembly	O	O	O	O	O	O
Roller brush cover assembly	O	O	O	O	O	O
Water Tank assembly	O	O	O	O	O	O
Sucking assembly	O	O	O	O	O	O

Remarks:

- 1.The table is compiled according to the provisions of SJ/T 11364.
- 2.O means the harmful components contents is below the limit requirements set by GB/T26572 (IEC62321)
- 3.X means the harmful components contents exceed the limit requirements set by GB/T26572
- 4.All components of X in this table conform to the EU ROHS rules



The environmental protection period of the digital identification product in normal use is 10 years.

Execution standard number
 GB4706.1-2005 GB4706.7-2014
 GB4343.1-2009 GB17625.1-2012

CERTIFICATE

Production Date:

Inspector:

