



SPECIFICATION

APPLICATION FOR APPROVAL

PART NAME : STAMPING ANTENNA
 PART NO : S01-00N1-0005
 DATE : 2021/12/23

Release : Full release

Customer Approval	
Program Manager	R & D director
Supplier Approval	
Program Manager	R & D director
Jingqiang Hao	GaoHe Sun

Confidential

This message contains information that may be confidential and privileged. Unless you are the addressee (or authorized to receive messages for the addressee), you can not use, copy or disclose to any third party or any information contained in the message. If you have received the message in error, please advise the sender by reply e-mail and delete the message. Nothing in this message should be interpreted as a digital or electronic signature that can be used to authenticate a contract or other legal document. Thank you very much.

• Ad: 2-805, Fubao Industrial Park, Fubao Road, Xiqing District, Tianjin Tel: 022-89545892



0. DEFINITIONS

dBi	Decibel relative isotropic antenna
Tx	Transmit frequency
Rx	Receive frequency
VSWR	Voltage Standing Wave Ratio
GSM	Global Service for Mobile communication
DCS	Digital Communication System
PCS	Personal Communication System
CDMA	Code Division Multiple Access
WCDMA	Wideband Code Division Multiple Access
PHS	Personal Handy-phone System
SAR	Specific Absorption Rate
PCB	Printed Circuit Board
TBD	To Be Defined
P	Parallel connection
S	Series connection

1. ELECTRICAL SPECIFICATIONS

1-1 FREQUENCY BAND

Freq. Band	Freq. (MHz)
WiFi	2400-2500

1-2 IMPEDANCE

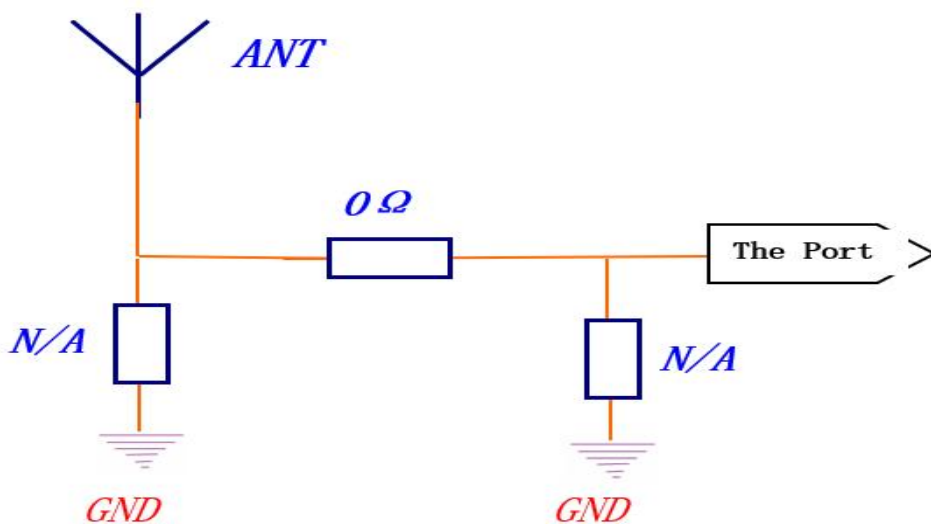
Nominal Impedance(including matching circuit) : **50** ohms



1-3 MATCHING REQUIREMENTS

The matching circuit on the PCB of the handset is according to Figure 1-3. Optimum matching circuit is highly dependent on the handset and thus.

Final matching circuit layout and values will be defined when handset is available



1-4 VSWR

FREE SPAC

Freq. Band	spec
------------	------

※Measuring a 50 Ω test jig is connected to a network analyzer to measure the VSWR.

※※All test value is done in customer approval fixture.



2. MECHANICAL SPECIFICATIONS

2-1 MECHANICAL CONFIGURATION

The appearance of the antenna is according to Figure 2-1

2. ENVIRONMENTAL CHARACTERISTICS

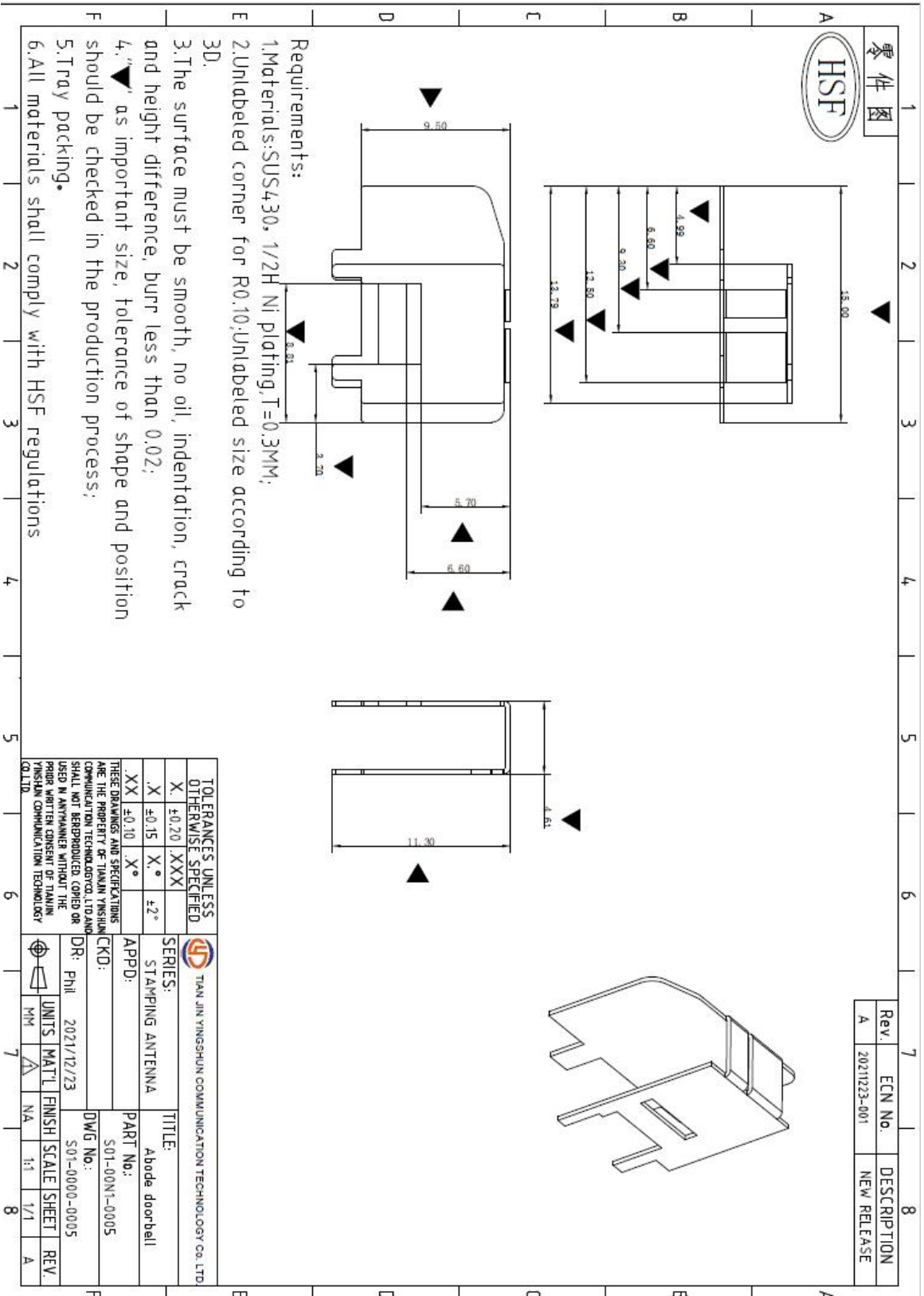
NO.	ITEM	TEST CONDITION	SPECIFICATION
3-1	Low Temperature Test	1. Temperature: $-40 \pm 2^{\circ}\text{C}$ 2. Time: 48hrs	No material deformation is allowed.
3-2	High Temperature Test	1. Temperature: $+85^{\circ}\text{C} \pm 2^{\circ}\text{C}$ 2. Time: 48hrs	
3-3	High Temperature/Humidity Storage Test (non operating)	1. Temperature: $+60 \pm 2^{\circ}\text{C}$ 2. Humidity: $93\% \pm 2\% \text{RH}$ 3. Time: 48hrss	
3-4	Salt-Spray Test	35°C, 85%RH, 48Hours (According to MIL-STD-810E) The salt-spray is generated from a 5% salt (NaCl) solution.,	NO appear rusting phenomenon is allowed

4. PACKAGING

Antenna to be packed in a PE bag. Each 100 pcs per bag.

5. APPENDIX

All of the specifications are shown as the attached files.



Rev.	ECN No.	DESCRIPTION
A	20211223-001	NEW RELEASE

TOLERANCES UNLESS OTHERWISE SPECIFIED	
X	±0.20 XXX
.X	±0.15 X.*
.XX	±0.10 X.*
	±2°

THESE DRAWINGS AND SPECIFICATIONS ARE THE PROPERTY OF TIANJIN YINGSHUN COMMUNICATION TECHNOLOGY CO.,LTD AND SHALL NOT BE REPRODUCED, COPIED OR USED IN ANY MANNER WITHOUT THE PRIOR WRITTEN CONSENT OF TIANJIN YINGSHUN COMMUNICATION TECHNOLOGY CO.,LTD.

DR: Phil	2021/12/23	UNITS	MAT'L	FINISH	SCALE	SHEET	REV.
		MM		NA	1:1	1/1	A

TITLE: Abode doorball
SERIES: STAMPING ANTENNA
APPD: S01-00N1-0005
CKD: S01-00N1-0005
DWG No.: S01-0000-0005



Customer No: HuaLai Tec.	File: 2021/12/23
Supplier NO:	Note: VSWR/RT/Smith Chart
Sample No:	
Test Condition: FREE SPACE	Matching: N/A
Confirmation: Jing Qiang Hao	Engineer: Jing Qiang Hao

Figure 2-1



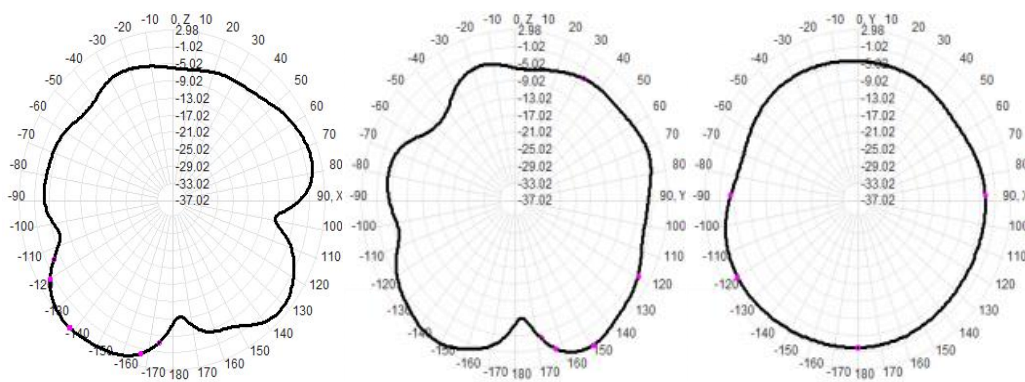


Antenna Test Date

一：Antenna Efficiency&PeakGain

Freq (MHz)	Effi (%)	Gain (dBi)
2400	66.15	2.73
2410	69.07	2.97
2420	68.82	2.99
2430	65.51	2.86
2440	63.85	2.82
2450	64.77	2.98
2460	65.83	3.12
2470	65.31	3.16
2480	63.53	3.13
2490	63.44	3.15
2500	64.99	3.26

二：Antenna 2D—2400/2450/2500MHz





三: Antenna 3D-2400/2450/2500MHz

