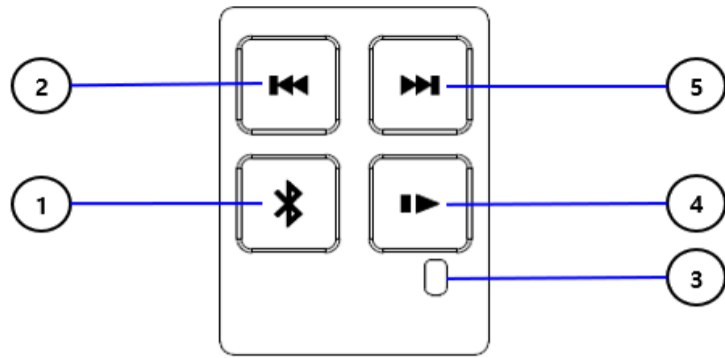


## Quick Guide

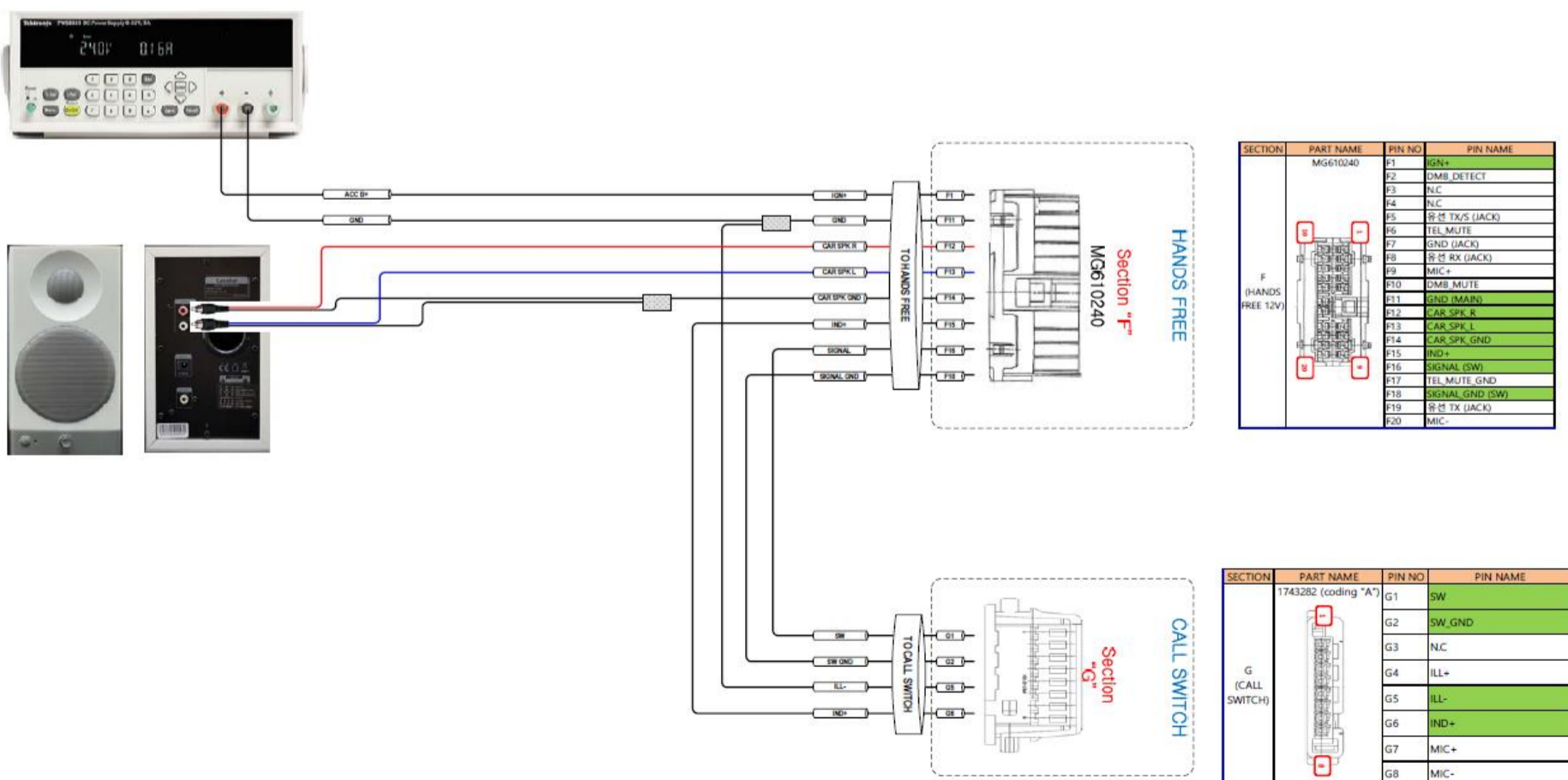


1. Bluetooth: Mode change, pairing operation KEY
2. Previous: If you press the key while Bluetooth audio is playing, the previous song will play.
3. LED: Operation status.
4. PLAY/PAUSE: Play and pause Bluetooth audio.
5. Next: If you press the key while Bluetooth audio is playing, the next song will play.

Current Mode	Key	After the key action.	LED	Remark	
			Off	Initial state	
Initial state		① Shortly press the key. (Within 0.8 seconds)	Bluetooth Mode	Flashing (2.5 sec)	Bluetooth mode but not connected to Bluetooth devices.
Bluetooth state		① Press and hold the key (More than 6 seconds)	Pairing mode	Flashing (0.25 sec)	Switch to pairing mode, (You need to find your bluetooth device on your phone)
			Bluetooth On Mode	On	Successful connection with Bluetooth device
Bluetooth On state		① Shortly press the key.		Off <-> On	Turn Bluetooth mode on / off each time you press the key.
		④ Shortly press the key.		On	Pressing the key during Bluetooth audio playback pauses playback, Press the key again to play the current music.
		② Shortly press the key.		On	If you press the key while Bluetooth audio is playing, the previous song will play.
		⑤ Shortly press the key.		On	If you press the key while Bluetooth audio is playing, the next song will play

How to connect to a Bluetooth device.

1. Connect the power cable as shown below.
2. Press the Bluetooth key briefly (within 0.8 seconds).  
-> It switches to Bluetooth mode, but it is not connected to Bluetooth device, so LED flashes every 2.5 seconds.
3. In Bluetooth mode, press and hold the Bluetooth key for more than 6 seconds.  
-> mode switches to pairing mode, and the LED flashes at 0.25 second intervals.  
-> You need to find a Bluetooth device on your phone. (Device: Doosan Audio)  
-> When connected to a Bluetooth device, the LED is on without blinking and the beep sound is output in 2 tone.
4. If Bluetooth connection fails, repeat steps 2 ~ 3.



### **FCC Information to User**

This equipment has been tested and found to comply with the limits for a Class B digital device, pursuant to Part 15 of the FCC Rules. These limits are designed to provide reasonable protection against harmful interference in a residential installation. This equipment generates, uses and can radiate radio frequency energy and, if not installed and used in accordance with the instructions, may cause harmful interference to radio communications. However, there is no guarantee that interference will not occur in a particular installation. If this equipment does cause harmful interference to radio or television reception, which can be determined by turning the equipment off and on, the user is encouraged to try to correct the interference by one of the following measures:

- Reorient or relocate the receiving antenna.
- Increase the separation between the equipment and receiver.
- Connect the equipment into an outlet on a circuit different from that to which the receiver is connected.
- Consult the dealer or an experienced radio/TV technician for help.

### **Caution**

Modifications not expressly approved by the party responsible for compliance could void the user's authority to operate the equipment.

**FCC Compliance Information :** This device complies with Part 15 of the FCC Rules. Operation is subject to the following two conditions: (1) This device may not cause harmful interference, and (2) this device must accept any interference received, including interference that may cause undesired operation

### **IMPORTANT NOTE:**

#### **FCC RF Radiation Exposure Statement:**

This equipment complies with FCC RF radiation exposure limits set forth for an uncontrolled environment. This equipment should be installed and operated with a minimum distance of 20 centimeters between the radiator and your body. This transmitter must not be co-located or operating in conjunction with any other antenna or transmitter.