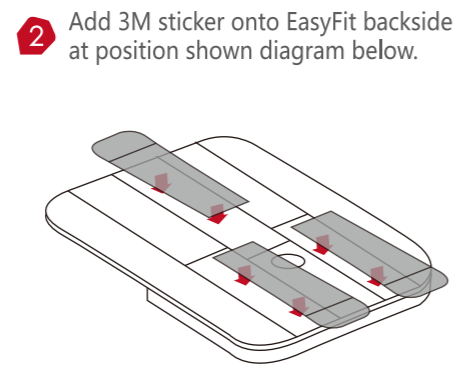
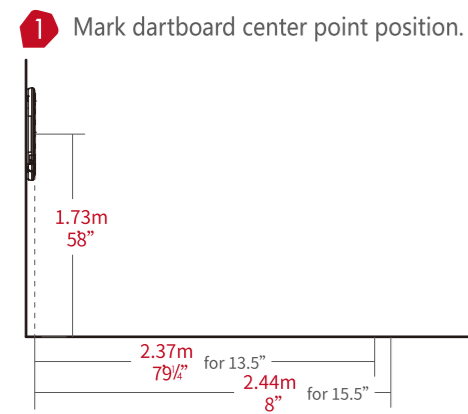
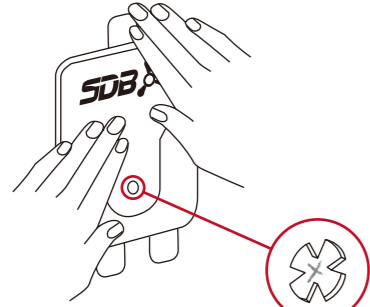


INSTANT INSTALLATION WITH EASYFIT



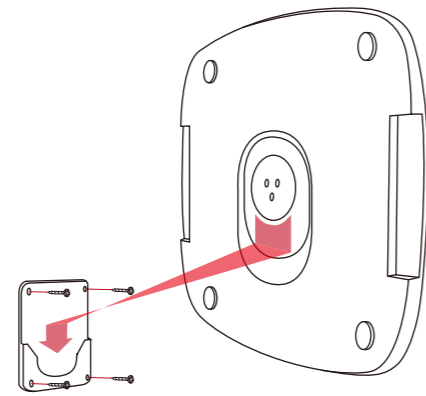
3 Install EasiFit onto wall with pushing it onto wall.



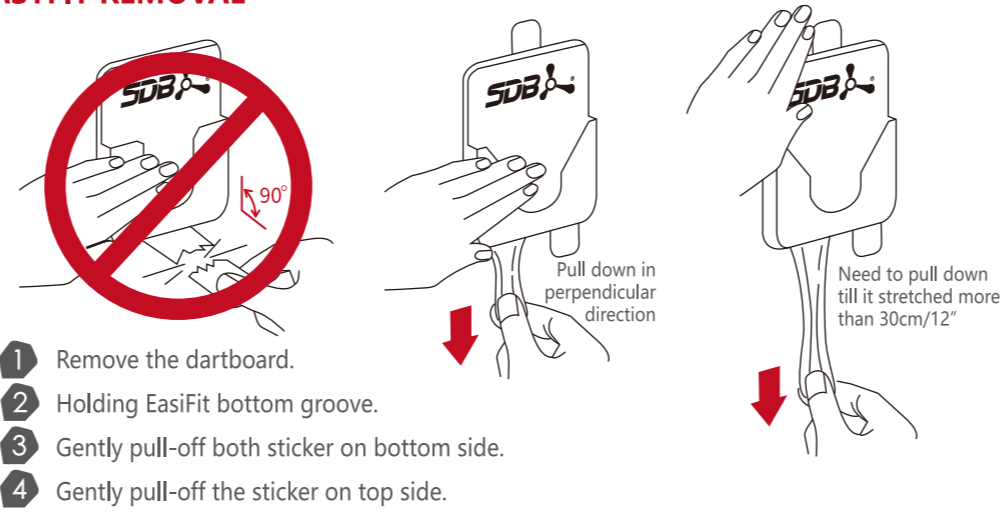
EasiFit Installation Important Note!

- For additional security purpose, when in use, please install it with screw onto screw hole on 4 corners.
- Please don't install it on the wall with fabric material which can cause the detach issue and broken the dartboard from falling.
- Please don't install it on the area above bed or sofa / chair to prevent any injury cause by the dartboard falloff.

4 Hang circle hanger on dartboard backside onto EasiFit groove.



EASYFIT REMOVAL



IMPORTANT NOTE!

TRANSPORTATION

- Please don't stack any stuff on dartboard surface to prevent dartboard sensor from not-registered issue.

INSTALLATION

- Dartboard installation not perpendicular may cause dartboard sensor sensitivity going down.
- Dartboard not stable may cause mis-scoring issue.
- When installing EasyFit, must make sure the wall is clean.

IN USAGE

- Turn-on dartboard first then open SDB app on mobile device, apps will find and connect to the dartboard automatically.
- If connection fail, please turn-off and restart both dartboard and mobil device, then follow again step 1. If still connection fail, please use customer feedback service which integrated on apps to send customer feedback (for mobilephone is required Bluetooth ON).
- Please use soft-tip dart and never use steel-tip dart or it may damage your dartboard.
- If dartboard in low battery condition, it may causes the dartboard cannot registers the dart thrown.
- When dart's tip broken, please use pliers to pull off the broken tip fragment, make sure never push the tip fragment into segment.

SDBC4000ARA

BLUETOOTH DARTBOARD

INSTALLATION MANUAL & USER GUIDE



FCC Statement:

This device complies with part 15 of the FCC Rules. Operation is subject to the following two conditions:
 (1) This device may not cause harmful interference, and
 (2) this device must accept any interference received, including interference that may cause undesired operation.

NOTE: This equipment has been tested and found to comply with the limits for a Class B digital device, pursuant to part 15 of the FCC Rules. These limits are designed to provide reasonable protection against harmful interference in a residential installation. This equipment generates, uses and can radiate radio frequency energy and, if not installed and used in accordance with the instructions, may cause harmful interference to radio communications. However, there is no guarantee that interference will not occur in a particular installation. If this equipment does cause harmful interference to radio or television reception, which can be determined by turning the equipment off and on, the user is encouraged to try to correct the interference by one or more of the following measures:

- Increase the separation between the equipment and receiver.
 - Connect the equipment into an outlet on a circuit different from that to which the receiver is connected.
 - Consult the dealer or an experienced radio/TV technician for help.
- Changes or modifications not expressly approved by the party responsible for compliance could void the user's authority to operate the equipment.

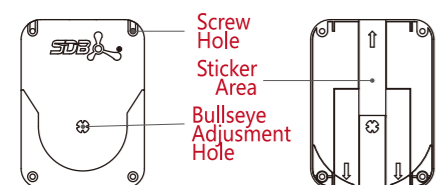
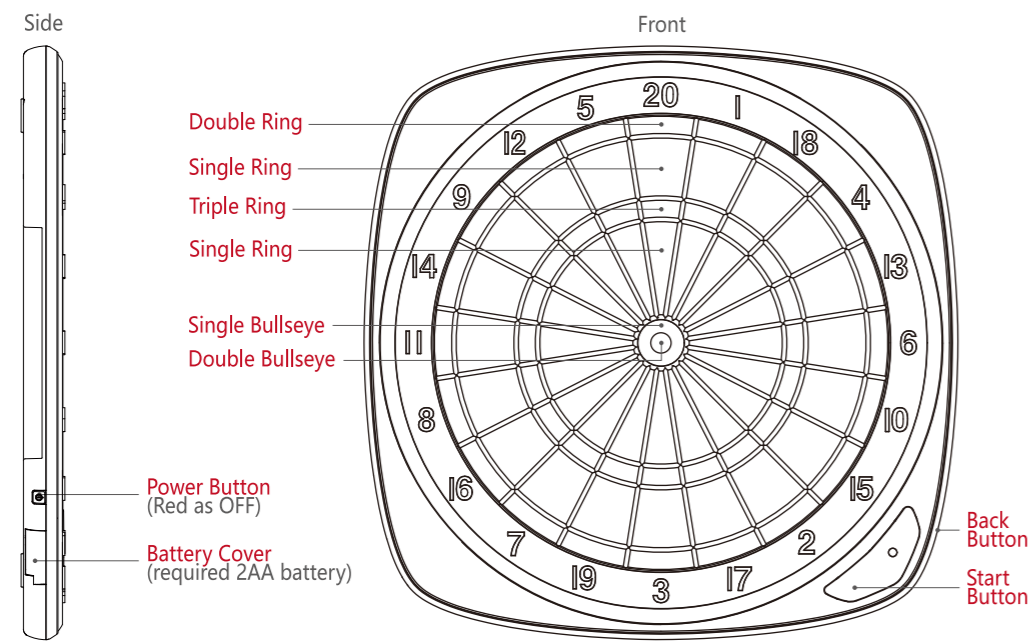
IC statement:

This device contains licence-exempt transmitter(s) that comply with Innovation, Science and Economic Development Canada's licence-exempt RSS(s). Operation is subject to the following two conditions:
 (1) this device may not cause interference,
 (2) this device must accept any interference, including interference that may cause undesired operation of the device.

L' émetteur exempt de licence contenu dans le présent appareil est conforme aux CNR d' Innovation, Sciences et Développement économique Canada applicables aux appareils radio exempts de licence. L' exploitation est autorisée aux deux conditions suivantes :

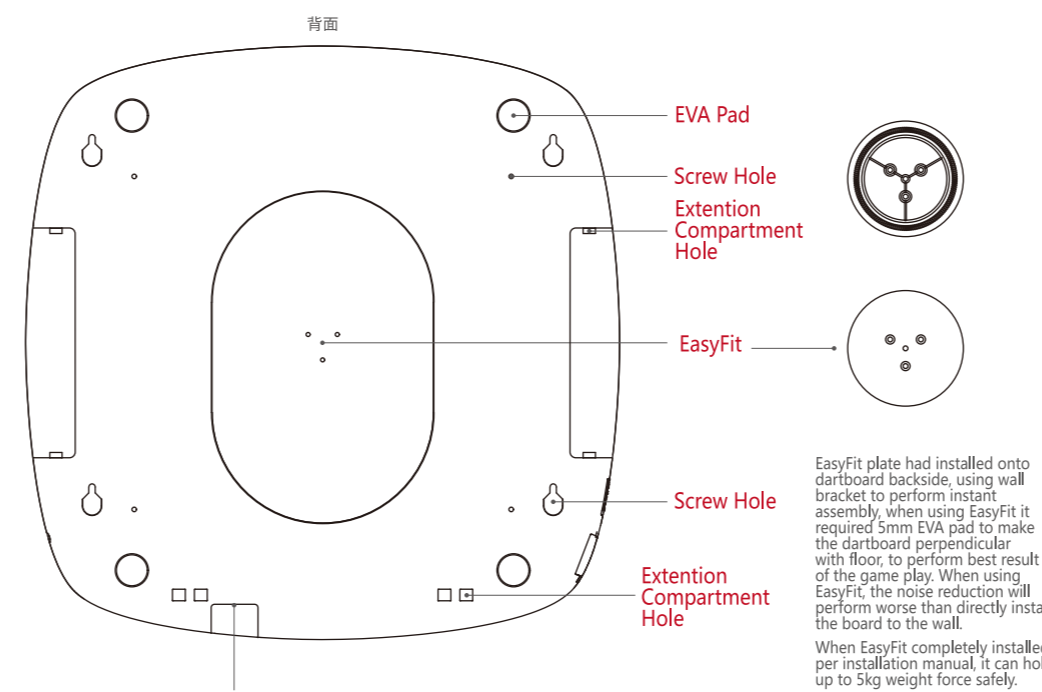
- 1) L' appareil ne doit pas produire de brouillage;
- 2) L' appareil doit accepter tout brouillage radioélectrique subi, même si le brouillage est susceptible d' en compromettre le fonctionnement.

DESCRIPTIONS



Bluetooth/Battery Indicator LED

- Red LED Blinking: waiting for connection
- Blue LED On: device connected
- Red LED On: connected with extension device like as Gamebox



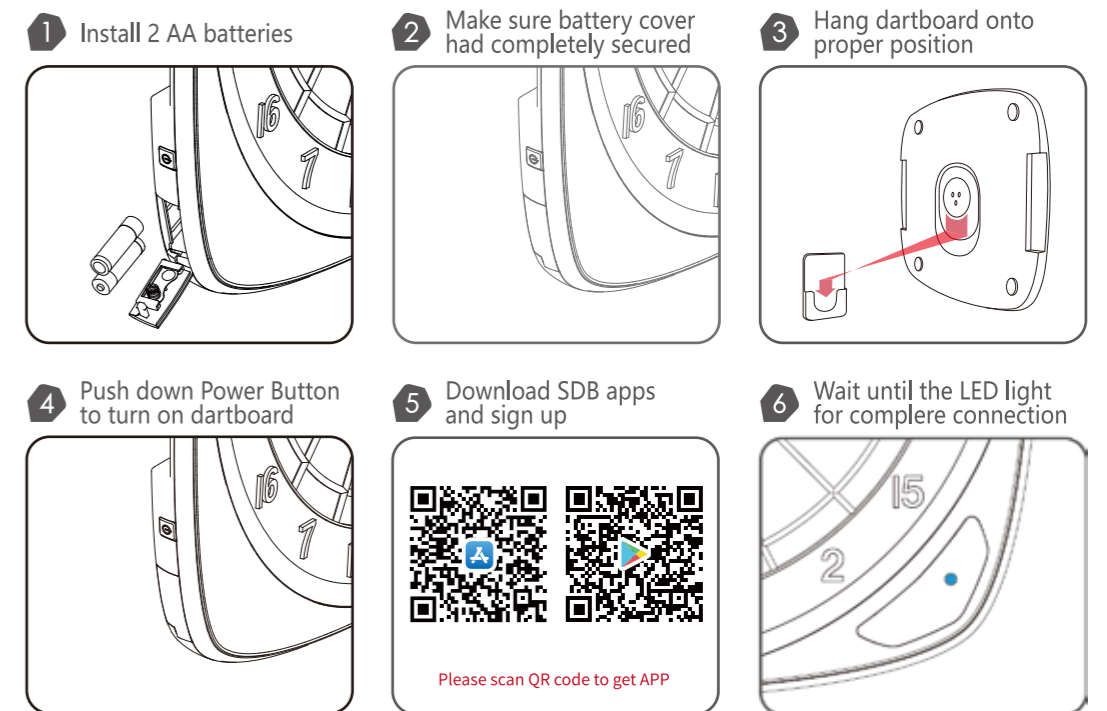
Micro USB

- Compatible with 5V/1A AC Adaptor as power supply, when plugged, battery protection system will activated to protect battery from damaged by external electric current.
- Compatible with expansion device like as Gamebox.

ACCESORIES

Soft Tip x 30	Barrel x 6	Shaft x 6	Flight x 6	Wall Plug Fisher x 4	Screw x 4

USER GUIDE



PRODUCT SPECIFICATION

Item No.	SDBC4000ARA	Dimension	510 x 510 x 36.5mm	Power Input	5V/1A
Bluetooth ver.	Bluetooth 4.0	Weight	±2.6kgs	Power	100mW