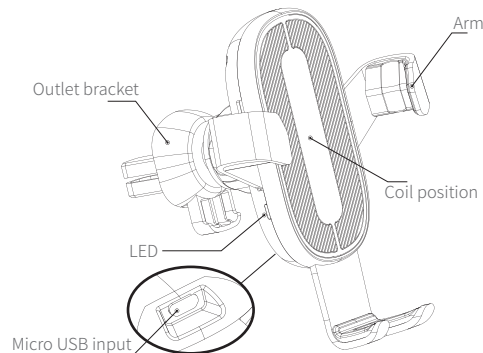


In-car wireless charger

USER MANUAL

Model: WC 01



Thanks for purchasing our product. This is a vehicle-mounted wireless charger for smart phone. It could be used as vehicle-mounted mobile bracket, meanwhile prolong the time of battery. Let you enjoy the great fun of digital products.

Please read this manual before using and keep it for future reference.



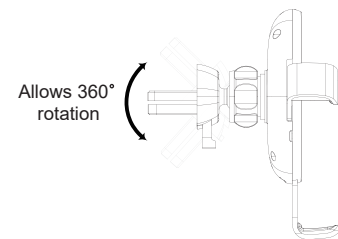
1

PRODUCT PARAMETER

Input voltage range: 4.75-5.3V 8.8-9.2V
Input current range: 2A 1.67A (max)
Output voltage: 4.75-5.1V 8.8-9.1V
Output power: 5V/5W 5V/7.5W 9V/10W
Charging distance: ≤ 7 mm
Work efficiency: $>70\%$
Fixed position: Air outlet
Suitable for: Mobile phones with wireless charging function

PRODUCT FEATURES

1. Single hand operation, easy to install and remove.
2. Gravity clamp.
3. Smart lock & release.
4. 360 degree rotation, support different viewing angles, do not block the line of sight, safe driving.



2

HOW TO USE

1. Fit the outlet stand to the wireless charger device.
2. Attach car mount on an appropriate place inside the vehicle.
3. Put your device on the holder and it will be automatic lock the device.
4. Adjust the Angle or rotation according to your needs.
5. Connect the cable to the base socket and the other end to the in-car charger.

NOTES

1. Do not squeeze or collisions.
2. Do not disassemble or throw into fire or water, to avoid causing a short circuit leakage.
3. Do not use wireless charger in severely hot, humid or corrosive environments, to avoid circuit damage and occurs leakage phenomenon.
4. Do not close with magnetic stripe or chip card (ID card, bank cards, etc) to avoid magnetic failure.
5. To take care of the children, to ensure that they won't play the wireless charger as a toy, to avoid unnecessary accidents.

PACKAGING

Wireless charger *1 Outlet bracket *1 USB cable *1
User manual *1

3

FCC WARNING

This device complies with part 15 of the FCC Rules. Operation is subject to the following two conditions: (1) This device may not cause harmful interference, and (2) this device must accept any interference received, including interference that may cause undesired operation. Any Changes or modifications not expressly approved by the party responsible for compliance could void the user's authority to operate the equipment. This equipment has been tested and found to comply with the limits for a Class B digital device, pursuant to part 15 of the FCC Rules. These limits are designed to provide reasonable protection against harmful interference in a residential installation. This equipment generates uses and can radiate radio frequency energy and, if not installed and used in accordance with the instructions, may cause harmful interference to radio communications. However, there is no guarantee that interference will not occur in a particular installation. If this equipment does cause harmful interference to radio or television reception, which can be determined by turning the equipment off and on, the user is encouraged to try to correct the interference by one or more of the following measures:
-Reorient or relocate the receiving antenna.
-Increase the separation between the equipment and receiver.

4

-Connect the equipment into an outlet on a circuit different from that to which the receiver is connected.
-Consult the dealer or an experienced radio/TV technician for help. The device has been evaluated to meet general RF exposure requirement. The device can be used in portable exposure condition without restriction.
The distance between user and products should be no less than 20cm.

5