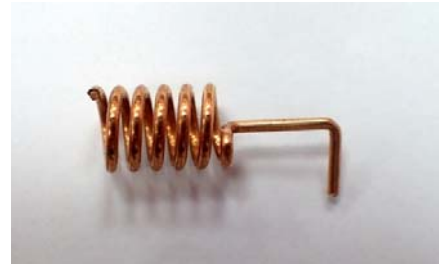


BSC032

Specifications

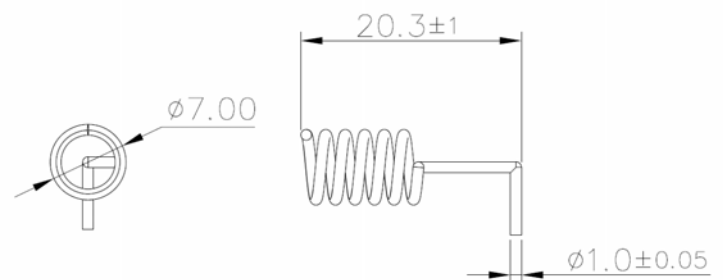
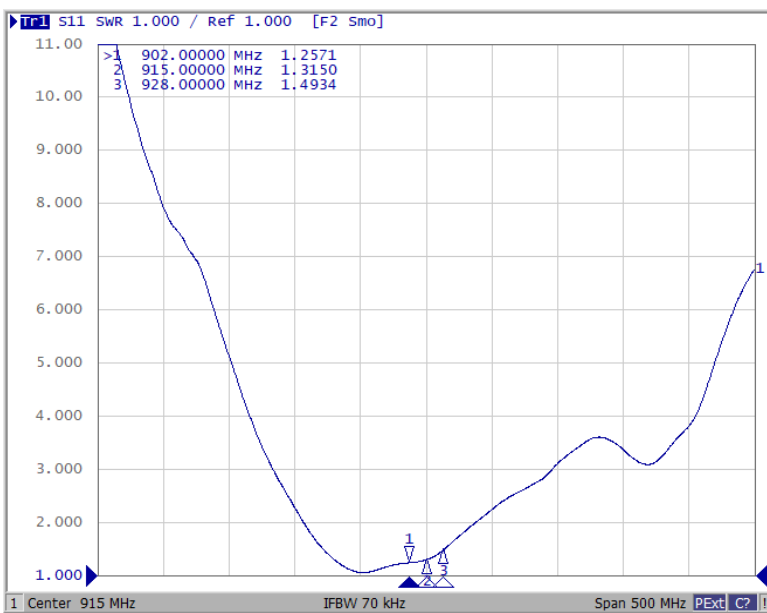
Frequency	902-928 MHz
Peak Gain	2.47 dBi
Average gain	-2.62 dBi
Efficiency	54.75 %
VSWR	2.0 : 1 Max.
Impedance	50 Ω



Environment & Mechanical Characteristics

Temperature	-10°C to +55°C
Humidity	95% @ 25°C

VSWR

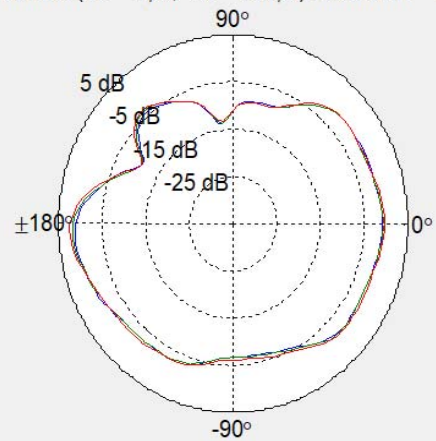
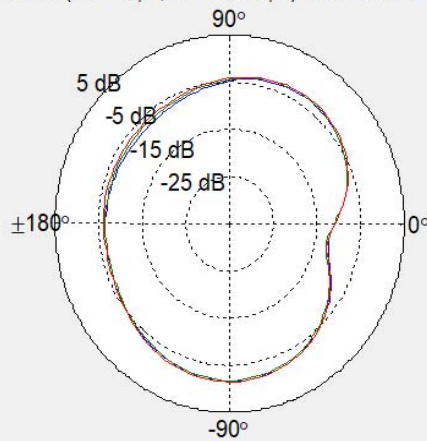


Radiation Pattern

S1 Band = 850 - 1100 MHz

XY Plane (+X = 0°ϕX, +Y = +90°ϕX) / Elevation = 90°ϕX ZX Plane (+Z = 0°ϕX, +X = +90°ϕX) / Azimuth = 0°ϕX

- 902 MHz
- 915 MHz
- 928 MHz



YZ Plane (+Z = 0°ϕX, +Y = +90°ϕX) / Azimuth = 90°ϕX

