

# Self-Cleaning Mopping Robot Vacuum Cleaner K198



Thanks for your purchasing

---

Please read this manual carefully before using

# Contents

---

1. Important Safety Instructions .....	3-7
2. Package Contents /Structure introduction .....	8-11
3. Instruction for Product Use .....	12-28
4. Routine Maintenance.....	29-34
5. Troubleshooting.....	35-39
6. Technical Specifications .....	40

# FCC Caution.

This device complies with part 15 of the FCC Rules. Operation is subject to the following two conditions: (1) This device may not cause harmful interference, and (2) this device must accept any interference received, including interference that may cause undesired operation.

Any Changes or modifications not expressly approved by the party responsible for compliance could void the user's authority to operate the equipment.

Note: This equipment has been tested and found to comply with the limits for a Class B digital device, pursuant to part 15 of the FCC Rules. These limits are designed to provide reasonable protection against harmful interference in a residential installation. This equipment generates uses and can radiate radio frequency energy and, if not installed and used in accordance with the instructions, may cause harmful interference to radio communications. However, there is no guarantee that interference will not occur in a particular installation. If this equipment does cause harmful interference to radio or television reception, which can be determined by turning the equipment off and on, the user is encouraged to try to correct the interference by one or more of the following measures:

- Reorient or relocate the receiving antenna.
- Increase the separation between the equipment and receiver.
- Connect the equipment into an outlet on a circuit different from that to which the receiver is connected.
- Consult the dealer or an experienced radio/TV technician for help.

## **\*RF warning for Mobile device:**

This equipment complies with FCC radiation exposure limits set forth for an uncontrolled environment. This equipment should be installed and operated with minimum distance 20cm between the radiator & your body.

# 1.Important Safety Instructions

---

When using an electrical Appliance, basic precautions should always be followed, including the following:

**READ ALL INSTRUCTIONS BEFORE USING THIS APPLIANCE**

**SAVE THESE INSTRUCTIONS**

- 1.This Appliance can be used by children aged from 8 years and above and persons with reduced physical, sensory or mental capabilities or lack of experience and knowledge if they have been given supervision or instruction concerning use of the Appliance in a safe way and understand the hazards involved. Children shall not play with the Appliance. Cleaning and user maintenance shall not be made by children without supervision.
2. Clear the area to be cleaned. Remove power cords and small objects from the floor that could entangle the Appliance. Tuck rug fringe under the rug base, and lift items such as curtains and tablecloths off the floor.
3. If there is a drop off in the cleaning area due to a step or stairs, you should operate the Appliance to ensure that it can detect the step without falling over the edge. It may become necessary to place a physical barrier at the edge to keep the unit from falling. Make sure the physical barrier is not a trip hazard.
4. Only use as described in this manual. Only use attachments recommended or sold by the manufacturer.
5. Please make sure your power supply source voltage matches the power voltage marked on the Docking Station.
6. For INDOOR household use ONLY. Do not use the Appliance in outdoor, commercial or industrial environments.
7. Use only the original rechargeable battery and Docking Station provided with the Appliance from the manufacturer. Non-rechargeable batteries are prohibited. For battery information, please refer to Specifications section.
8. Do not use without dust bin and/or filters in place.
9. Do not operate the Appliance in an area where there are lit candles or fragile objects.

# 1.Important Safety Instructions

---

10. Do not use in extremely hot or cold environments (below 0°C/32°F or above 40°C/104°F).
11. Keep hair, loose clothing, fingers, and all parts of body away from any openings and moving parts.
12. Do not operate the Appliance in a room where an infant or child is sleeping.
13. Do not use Appliance on wet surfaces or surfaces with standing water.
14. Do not allow the Appliance to pick up large objects like stones, large pieces of paper or any item that may clog the Appliance.
15. Do not use Appliance to pick up flammable or combustible materials such as gasoline, printer or copier toner, or use in areas where they may be present.
16. Do not use Appliance to pick up anything that is burning or smoking, such as cigarettes, matches, hot ashes, or anything that could cause a fire.
17. Do not put objects into the suction intake. Do not use if the suction intake is blocked. Keep the intake clear of dust, lint, hair, or anything that may reduce air flow.
18. Take care not to damage the power cord. Do not pull on or carry the Appliance or Docking Station by the power cord, use the power cord as a handle, close a door on the power cord, or pull power cord around sharp edges or corners. Do not run Appliance over the power cord. Keep power cord away from hot surfaces.
19. If the power cord is damaged, it must be replaced by the manufacturer or its service agent in order to avoid a hazard.
20. Do not use the Docking Station if it is damaged. The power supply is not to be repaired and not to be used any longer if it is damaged or defective.
21. Do not use with a damaged power cord or receptacle. Do not use the Appliance or Docking Station if it is not working properly, has been dropped, damaged, left outdoors, or come in contact with water. It must be repaired by the manufacturer or its service agent in order to avoid a hazard.

# 1.Important Safety Instructions

---

22. Turn OFF the power switch before cleaning or maintaining the Appliance.
23. The plug must be removed from the receptacle before cleaning or maintaining the Docking Station.
24. Remove the Appliance from the Docking Station, and turn OFF the power switch to the Appliance before removing the battery for disposal of the Appliance.
25. The battery must be removed and discarded according to local laws and regulations before disposal of the Appliance.
26. Please dispose of used batteries according to local laws and regulations.
27. Do not incinerate the Appliance even if it is severely damaged. The batteries can explode in a fire.
28. When not using the Docking Station for a long period of time, please unplug it.
29. The Appliance must be used in accordance with the directions in this Instruction Manual. We cannot be held liable or responsible for any damages or injuries caused by improper use.
30. The robot contains batteries that are only replaceable by skilled persons. To replace the robot' s battery, please contact Customer Service.
31. If the robot will not be used for a long time, power OFF the robot for storage and unplug the Docking Station.
32. **WARNING:** For the purposes of recharging the battery, only use the detachable supply unit provided with the appliance.

# 1. Important Safety Instructions

---

## **Instructions for Disposing of Battery.**

If you want to dispose of the battery in this unit, please do not throw them away with household waste, but hand them over to the nearest waste battery recycling station for centralized disposal.

The following instructions are not intended for general users, but are for disposal instructions for the ultimate battery disposer. The chemical substances contained in the battery built into this unit may pollute the environment.

Before disposing of the robot, be sure to remove the electronics from the machine. Batteries should be handed over to professional battery recycling points for centralized disposal.

## **CAUTION!**

Personal injury due to battery leakage!

If the battery leaks, be sure to avoid contact with eyes or skin.

In case of accidental contact, wash hands and eyes immediately with water. If you still feel unwell, seek medical attention immediately.

## **NOTICE!**

**The following information applies only when discarding the robot, not for daily operation instructions!**

Only remove the battery when the battery is completely depleted. Under no circumstances should the battery come into contact with metal objects.

**The steps to remove the battery are as follows:**

Let the robot run completely dead without touching the charging base;

Turn off the robot power switch;

Remove the screws on the battery cover;

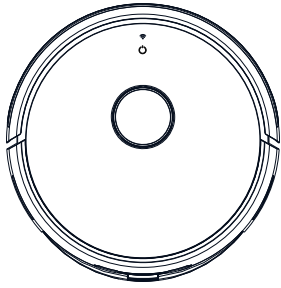
Remove the battery cover;

Unplug the battery's connector and remove the battery.

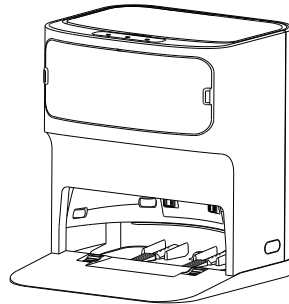
# 2.Package Contents /Structure introduction

---

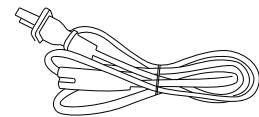
## 2.1 Package Contents



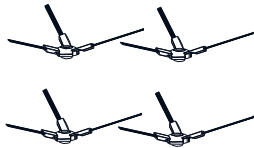
Robot



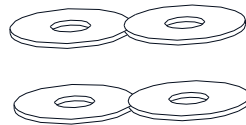
Self-Wash  
Charging Station



Power Cord  
inside the station



Side Brush



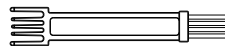
Mop



Mop Pad  
installed on the robot



Clean brush for station  
inside the station



Clean brush  
for machine



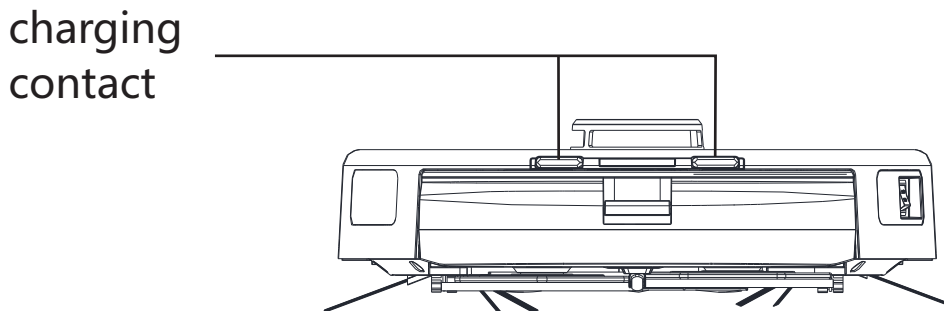
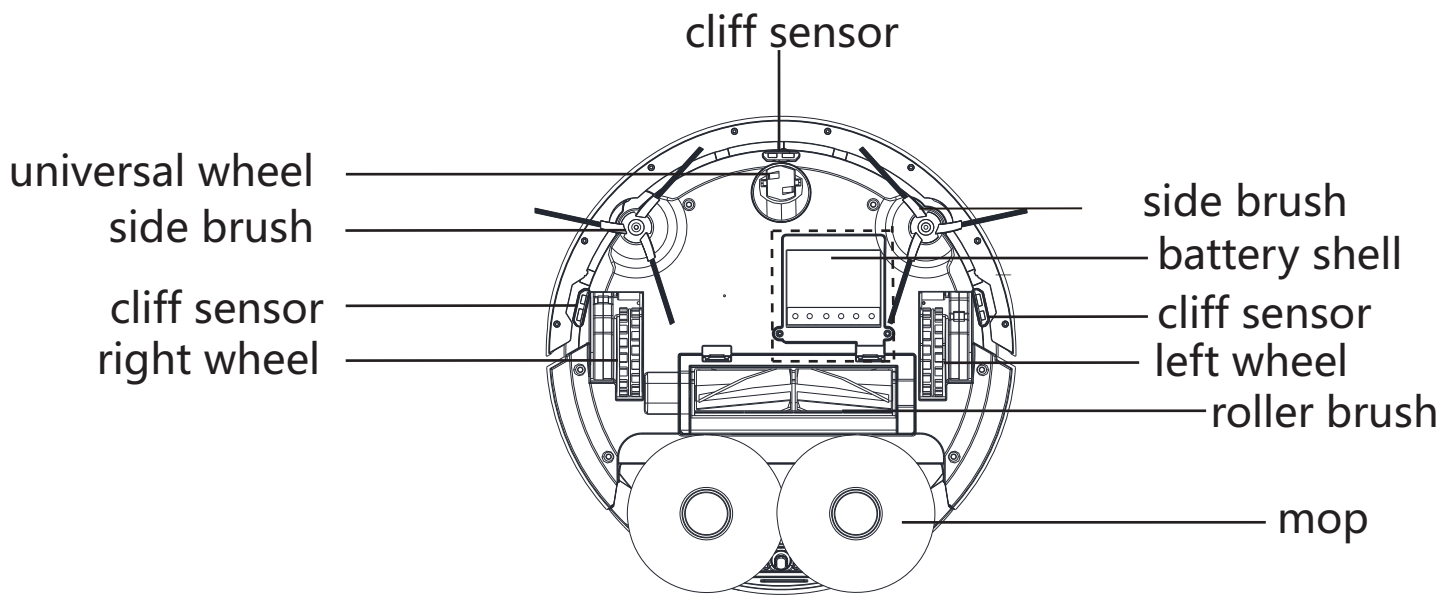
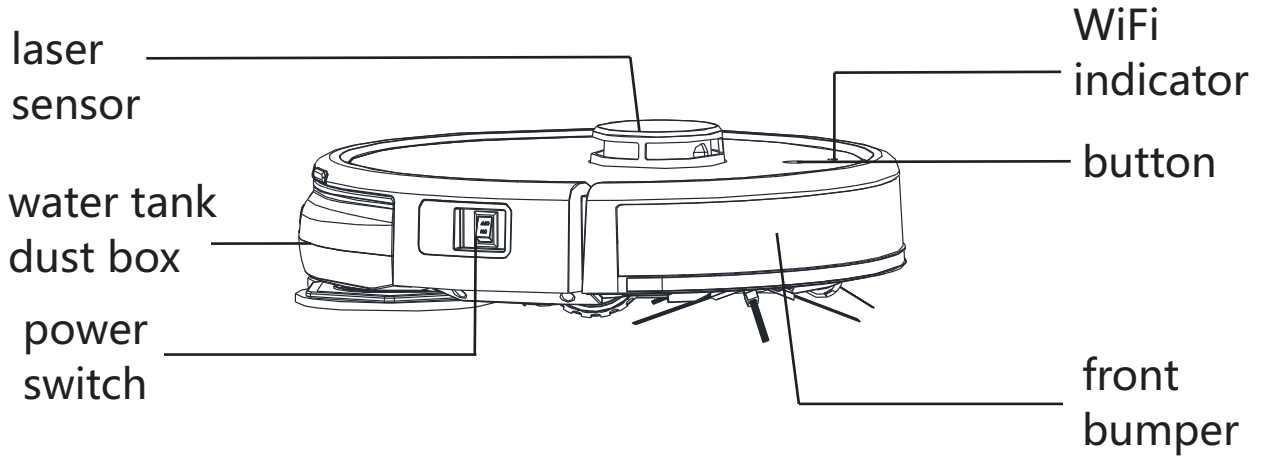
Manual

Note: Figures and illustrations are for reference only and may differ from actual product appearance.



# 2.Package Contents /Structure introduction

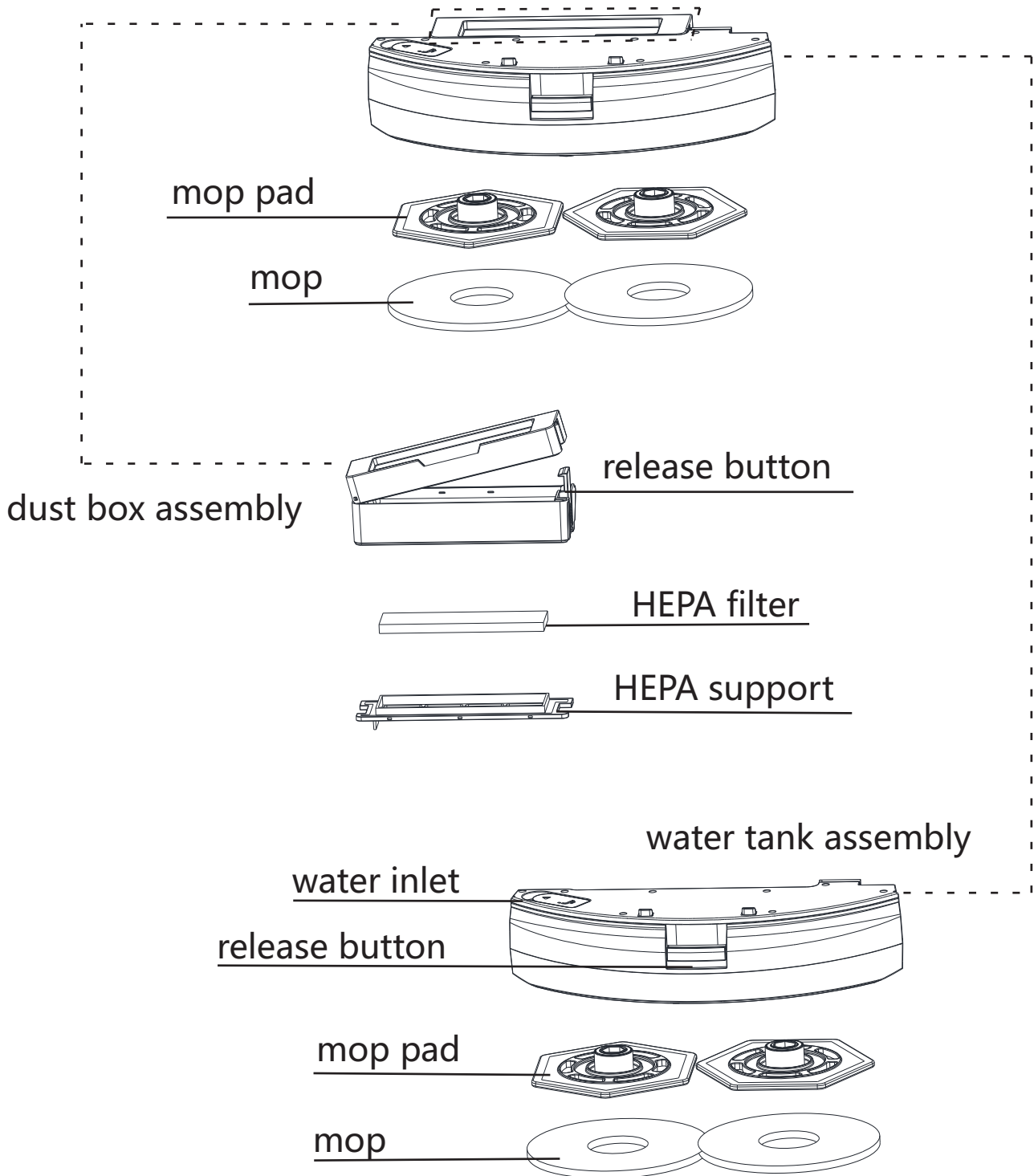
## 2.2 Structure introduction



# 2.Package Contents /Structure introduction

## 2.2 Structure introduction

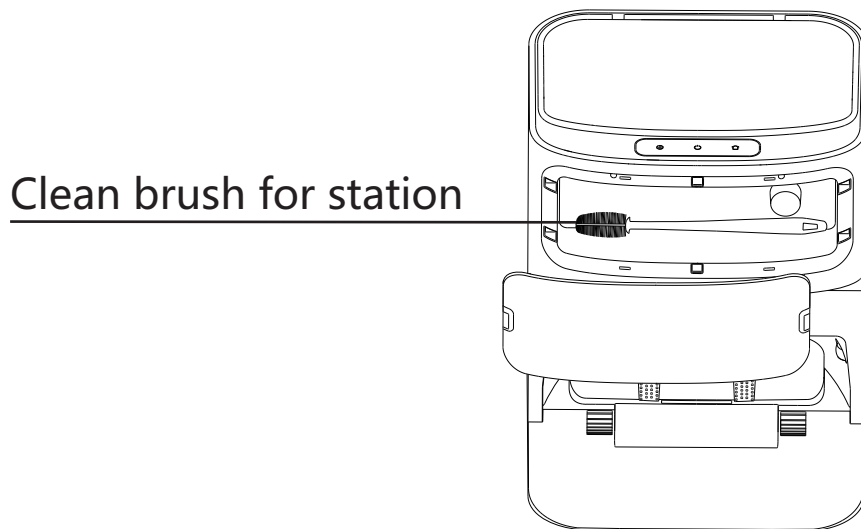
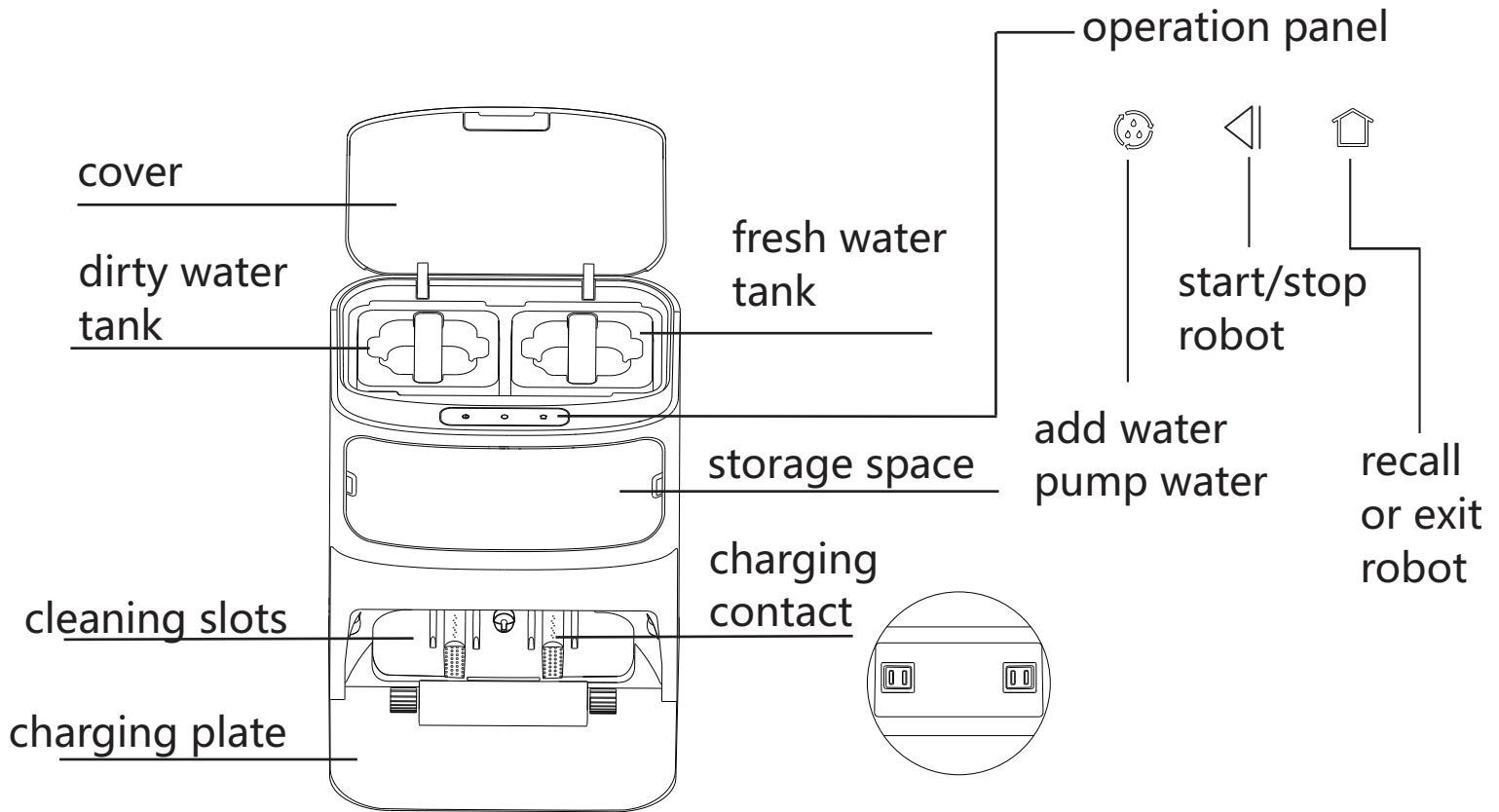
### Dust Box & Water Tank



# 2.Package Contents /Structure introduction

## 2.2 Structure introduction

### Self-Wash Charging Station

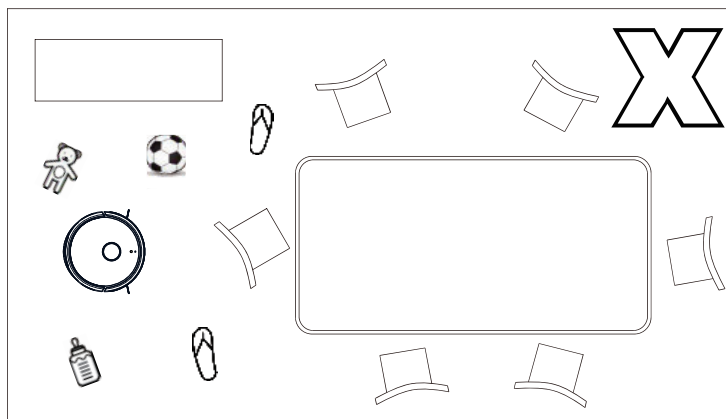
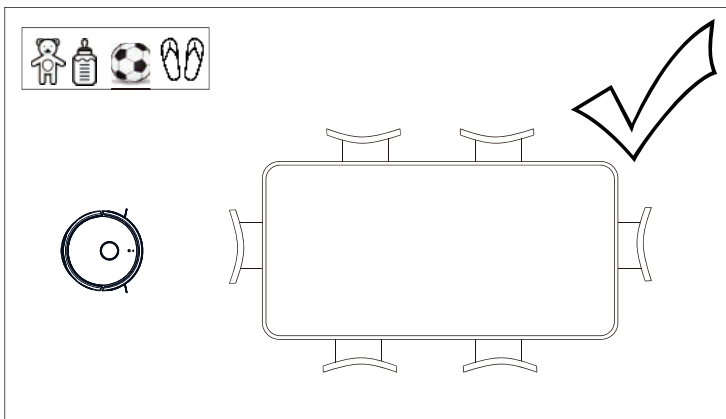


# 3.Introduction for Product Use

## 3.1 Notes Before Cleaning

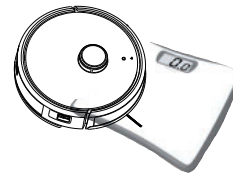
### 1.Arrange the furniture neatly

Please arrange chair table and other objects neatly to leave the biggest space before cleaning.



### 2.Remove unfriendly obstacles

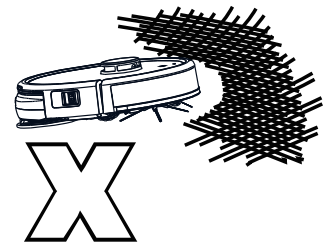
Remove the weight scale ,fan base and other low objects that may affect the robot clean.



Before using the product on a rug with tasseled edges, please fold the rug edges under.

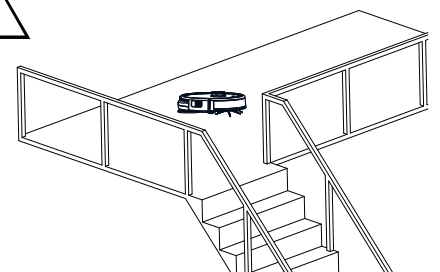
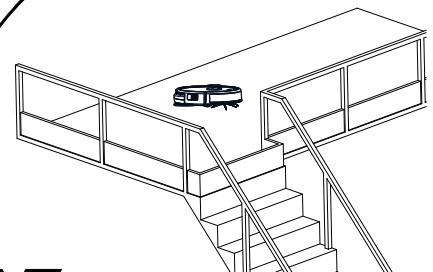
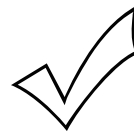


Please do not use mop function on the rug.



### 3.Prevent robot from falling

It may be necessary to place a physical barrier at the edge of a drop to stop the unit from falling over the edge.

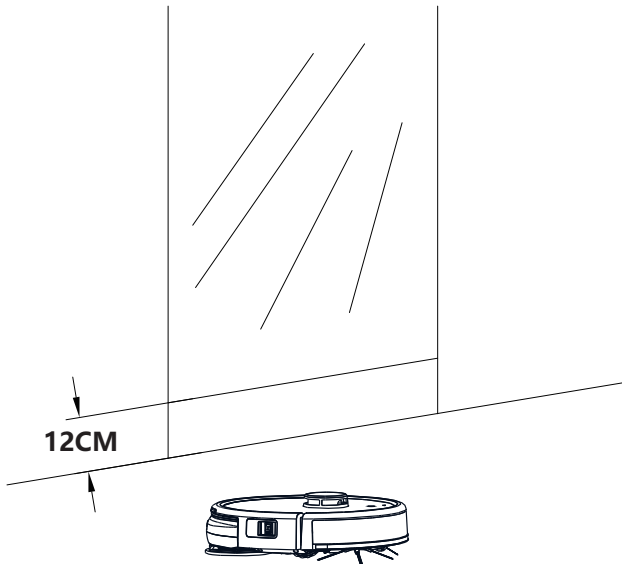


# 3.Introduction for Product Use

## 3.1 Notes Before Cleaning

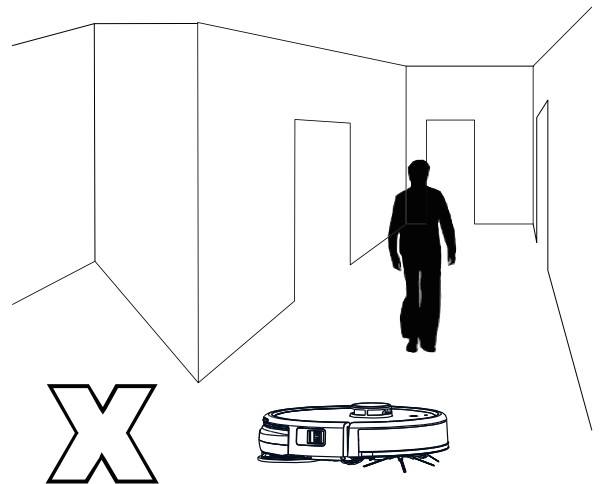
### 4.Block out objects with strong reflective surfaces

Please ensure height 12 cm from floor without strong reflective surface, such as mirror or glass, or occlude it otherwise it will influence the robot cleaning.



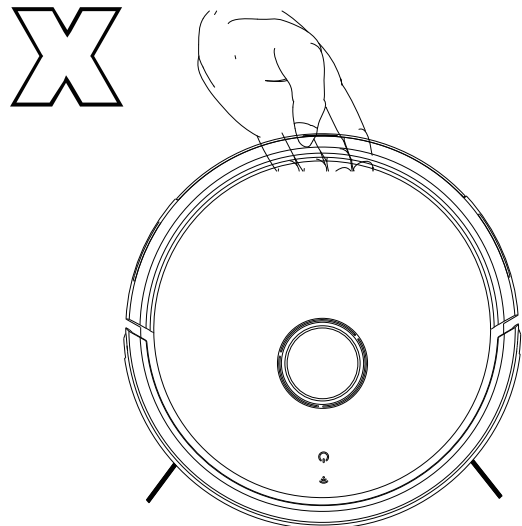
### 5.Please stay away from the robot when it's working

Please do not stand in narrow places such as thresholds or aisles, otherwise the robot can not identifying the area that needs to be cleaned.



### 6.Avoid touching the water tank release button

please do not touch the water tank button when pick up robot, otherwise ,the robot will fall.

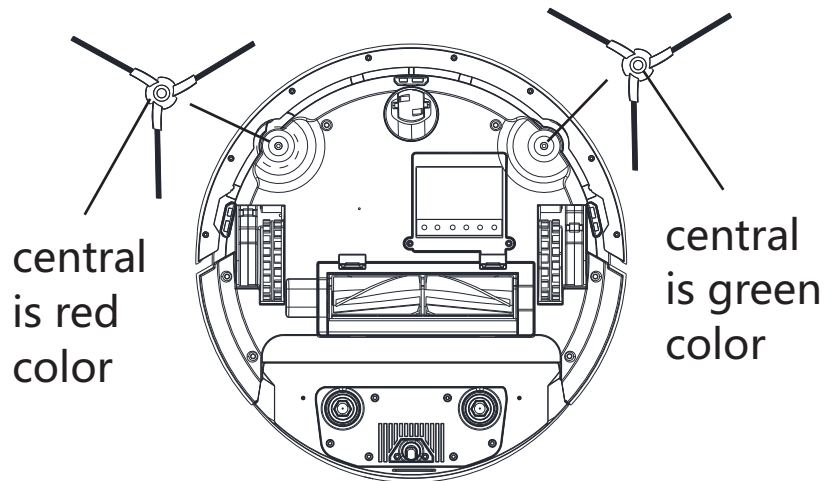


# 3.Introduction for Product Use

## 3.2 Preparation

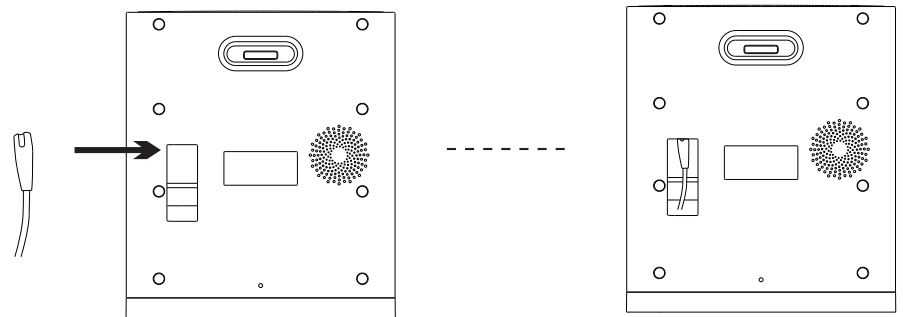
\*Before using the product, please remove all protective materials on the main unit and the cleaning seat.

Install the side brush correctly according to the illustration on the right.



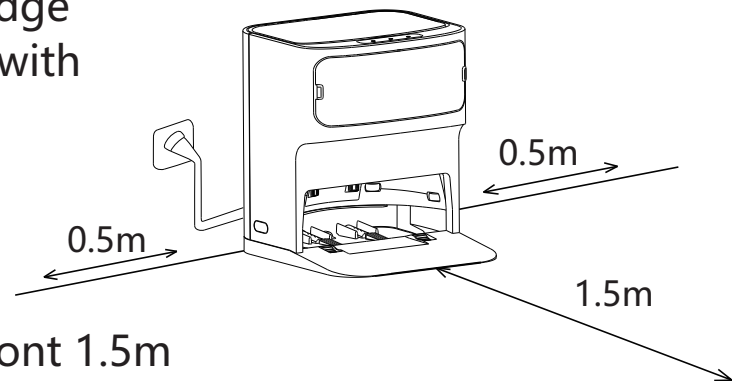
## 3.3 Install the Station for Robot Charging

1.Connect the power cord with station.



2.Place the station in right place

Place the station against the wall edge on a flat surface and connect plug with mains power.



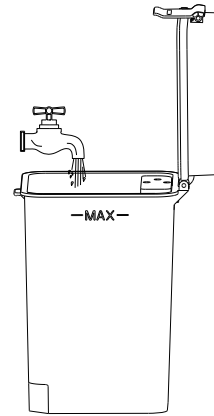
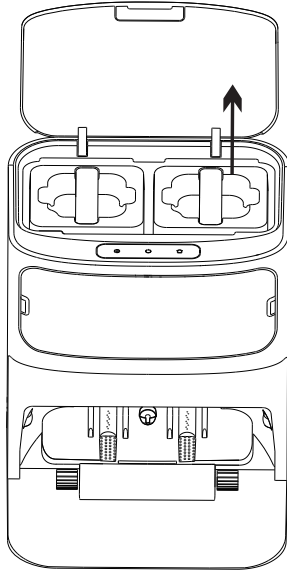
Note:

- a. Insure station each side 0.5m, front 1.5m without any object.
- b. Do not place the station in direct sunlight.

# 3.Introduction for Product Use

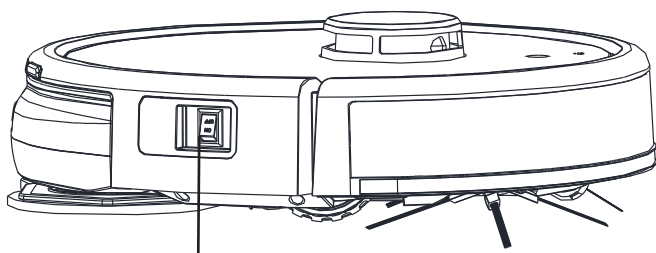
## 3.3 Install the Station for Robot Charging

3. Add water into Fresh Water Tank



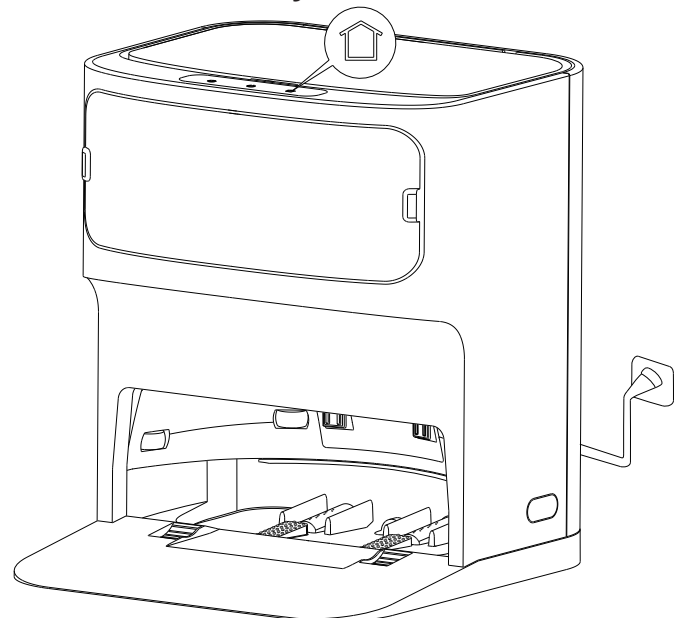
To max line

4. Press power switch to turn on the robot



power switch

5. Short press  button, robot will go to station for charging automatically



### Note:

- a. Please full charge 10 hours for first time use.
- b. Please start the robot from station and do not move the station during the robot cleaning.
- c. Do not fill hot water to any water tank.



# 3.Introduction for Product Use

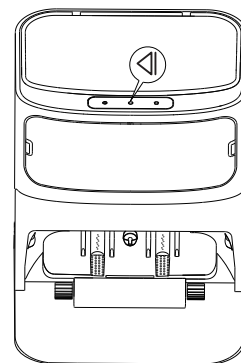
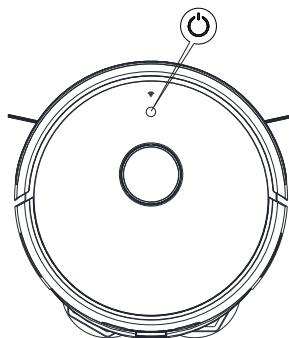
---

## 3.4 Robot Usage

Note: For first time start cleaning, please make sure the robot is on the mop cleaning station and fully charged.

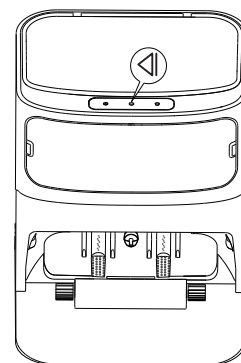
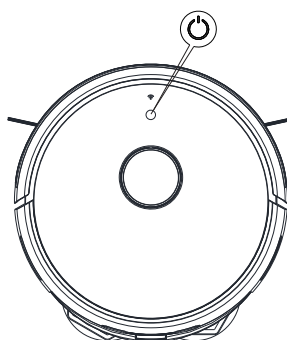
### 1. Turn on/off

Turn on robot power switch,  
place robot onto station  
Press  button on robot  
or  button on the station,  
robot will start scan and built  
the map for home





### 2. Fast Mapping

Remove the mop pad before fast mapping.  
After you connect the robot to the app, create a map as instructed  
in the app. The robot moves around to scan the environment and  
creates a map without cleaning. After the robot returns to the base,  
a map is created and saved automatically.



### 3. Pause/ Wake up the Robot

Press  button on machine  
or  button on the station  
to pause or wake up the robot

#### **Note:**

If the robot is paused and place onto the station, currently  
cleaning process will end.

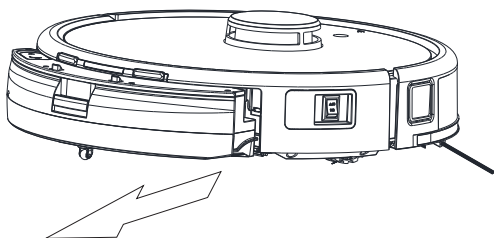


# 3.Introduction for Product Use

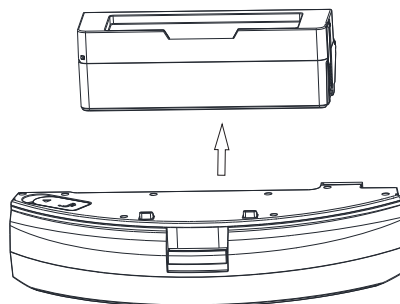
## 3.4 Robot Usage

### 4.Vacuum / Mopping Function

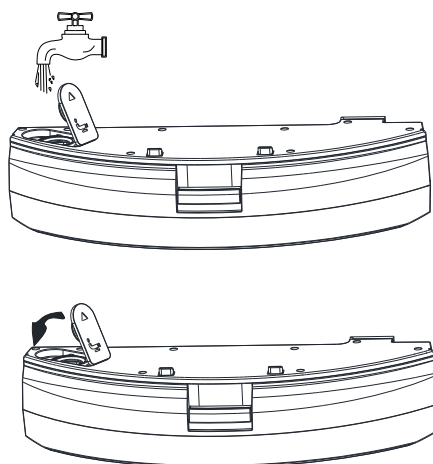
①. Remove out water tank



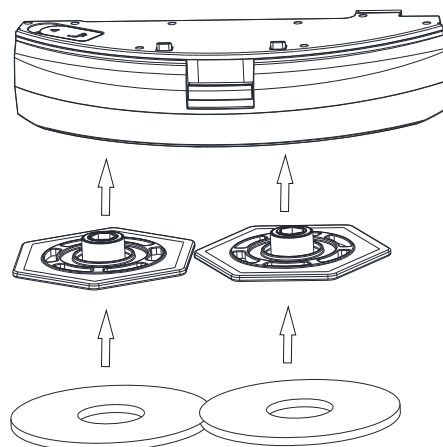
②. Take out dust tank



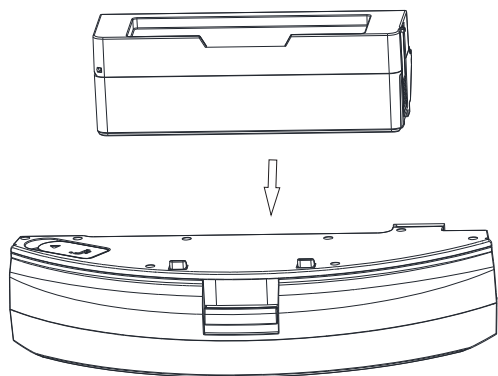
③. Fill with water, then close plug



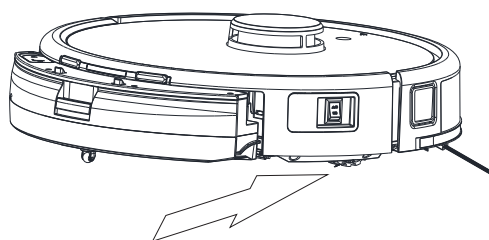
④. Attach mop pad



⑤. Place dust tank back



⑥. Place to the robot  
put robot onto station  
then start cleaning



#### Note:

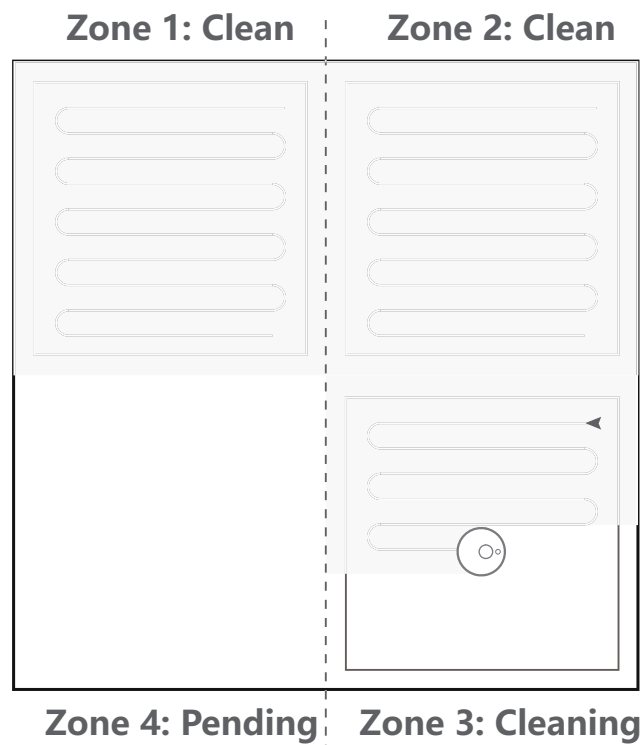
Please do not use the mopping function on the carpet

# 3.Introduction for Product Use

## 3.4 Robot Usage

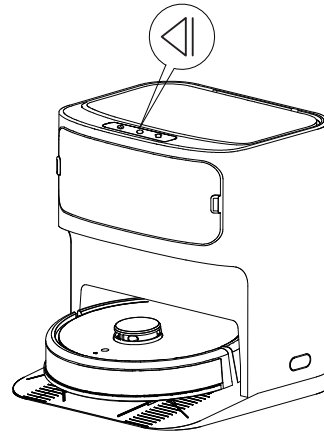
### 5.Cleaning Mode

**After the robot is turned on, it cleans** each room by cleaning along the edges and walls first and then cleaning in a S-shaped pattern. The robot automatically returns to the base to charge its battery after cleaning.



### 6.Cleaning Mode

**Press button. The robot starts from** the base and mops the house based on the optimal cleaning plan scheduled by the map.



### Note:

- a. If the robot is not on the base, please put it back before starting it.
- b.The robot will clean the mop pad before cleaning, please wait patiently until the mop pad is cleaned.
- c. Do not manually move the station, clean tank, dirty tank, or washboard while mopping.

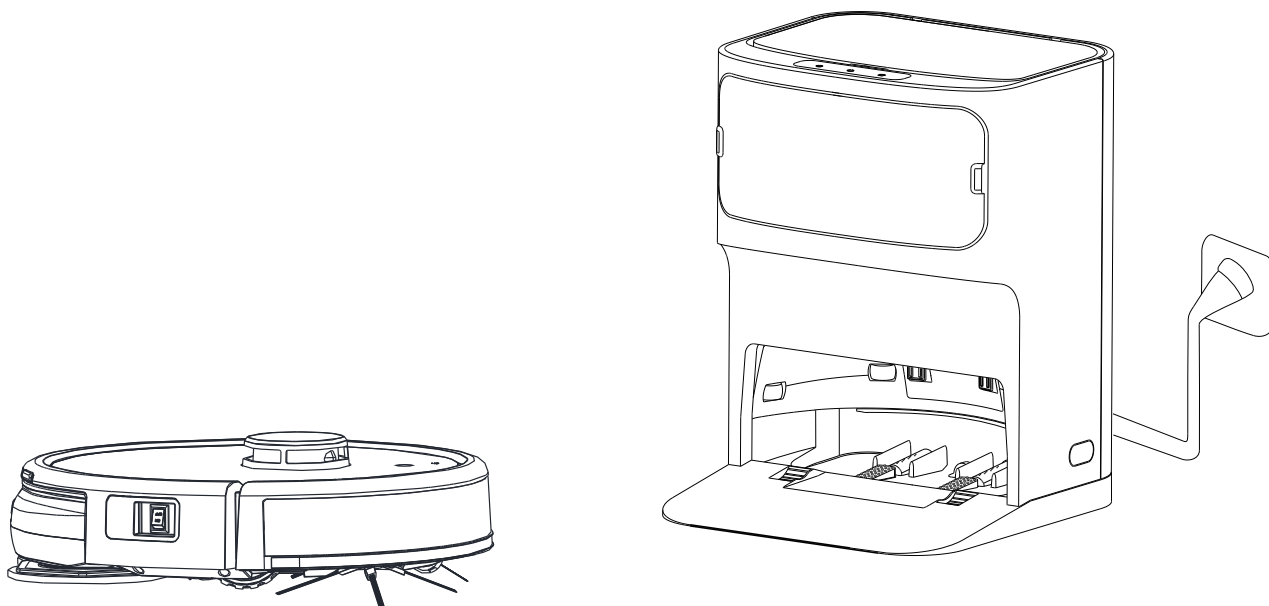
# 3.Introduction for Product Use

---

## 3.4 Robot Usage

### 7.Return to Self Clean


While mopping, the robot will return to the base to have the mop pad cleaned as cleaning conditions set in the app. The robot resumes cleaning after the mop pad is cleaned.



### 8.Return to Self Clean

After the robot completes cleaning and returns to charge, the base starts cleaning and drying the mop pad.

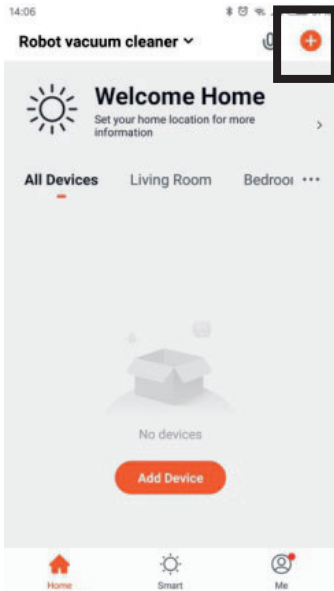
#### **Note:**

- To clean the mop pad at any time, press the  button on the station.
- While cleaning the mop pad, if the water in the clean tank is insufficient or the dirty tank is full, the robot will send a voice prompt.
- After the robot completes mopping, clean the dirty tank in time to avoid mold or odor.
- It is recommended to change the mop pad every 1 to 3 months.

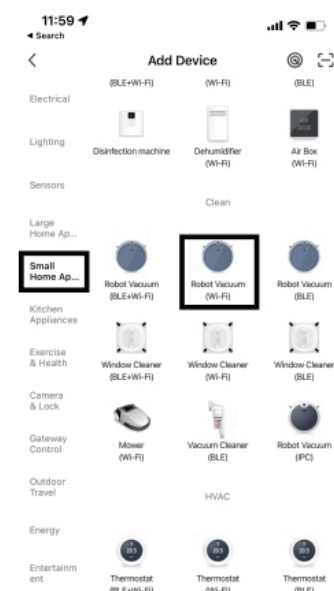
# 3.Introduction for Product Use

## 3.5 Function Use through APP

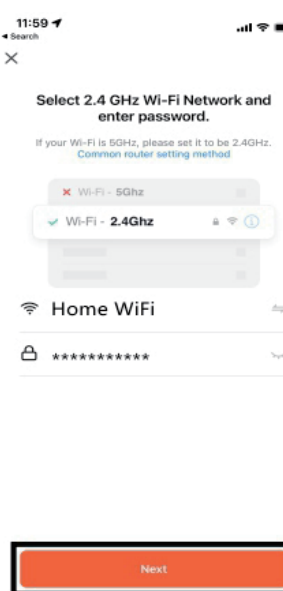
1. Download the Tuya APP search "TUYA" in the APP Store or Google Play, or scan the QR code , download and install the app. Follow the app step to register and login.



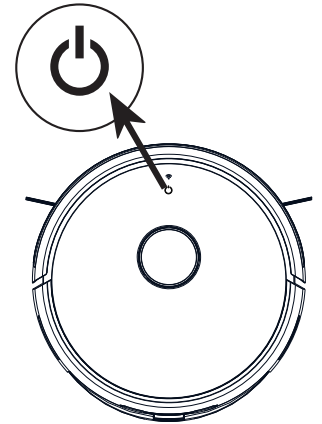
Step 1  
Press "+" mark



Step 2  
Choose small home appliance-robot vacuum wifi as above



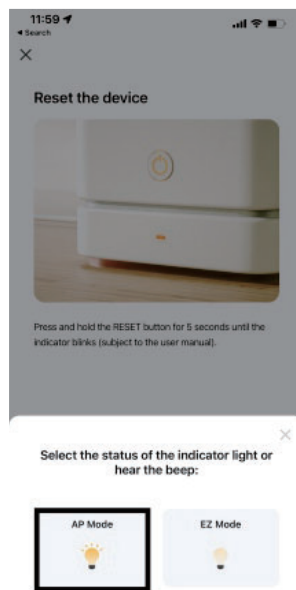
Step 3  
Enter wifi password



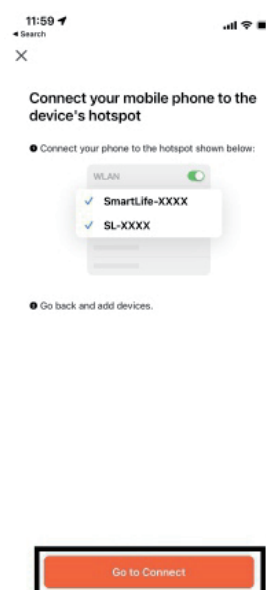
Step 4  
Turn on robot long press button till hear a sound



Step 5  
Press next



Step 6  
Choose AP code



Step 7  
Go to connect,find the wifi hotspot named SmartLife-xx (xx means a wifi code)

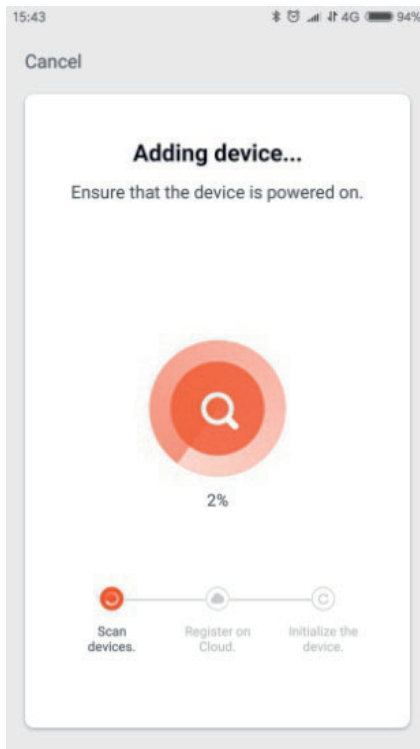


# 3.Introduction for Product Use

## 3.5 Function Use through APP



Step 8  
Choose wifi hotspot



Step 9  
After connect wifi hotspot  
back to APP wait for connection

### Note:

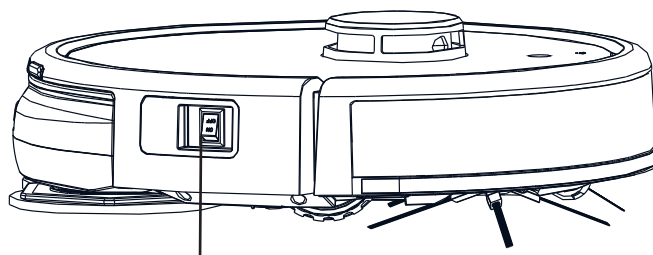
- Due to ongoing app development, the actual process may differ slightly from the above description. Always follow the instruction showed in the app.
- Only support 2.4GHz WiFi.
- If you can't connect your phone to the robot, reset the WiFi, and add your robot as a new device.

# 3.Introduction for Product Use

## 3.5 Function Use through APP

### ON/OFF

Turn on power switch, button indicator will turn on with a music prompt, robot will standby and wait for command.



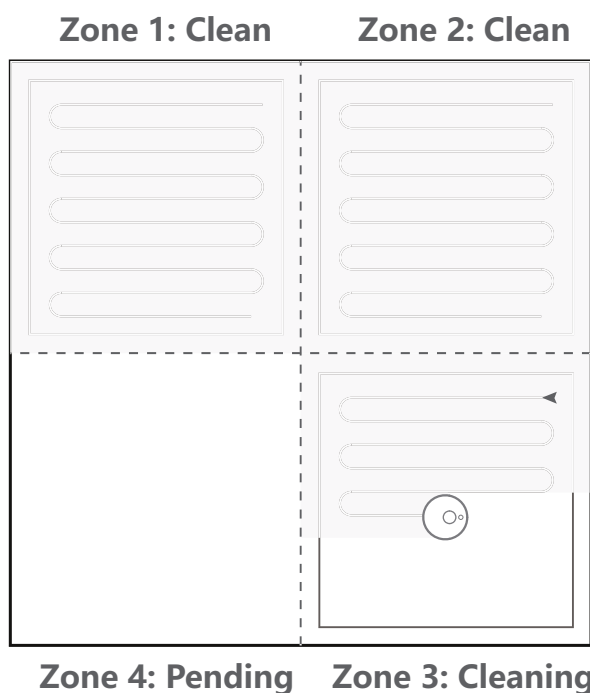
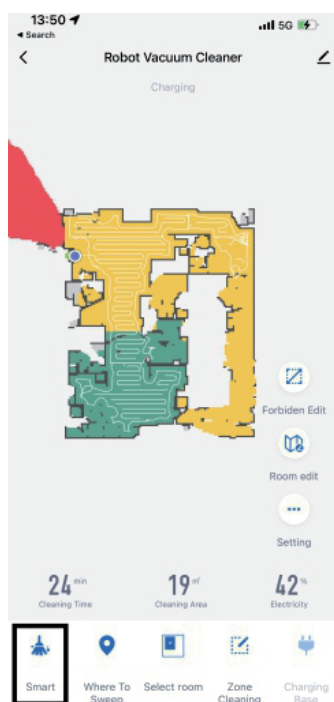
power switch

### Pause

When the robot is cleaning, press smart button on app to stop

### Start Clean up

Press smart on APP to start smart cleaning. Once started the robot will plan its cleaning route based on its scan of area. It cleans along the edges of a zone first and then moves in a S-shaped cleannig route to cover the internal area efficiently and thoroughly

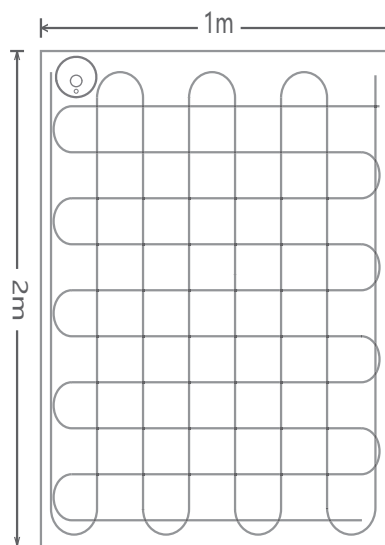


# 3.Introduction for Product Use

## 3.5 Function Use through APP

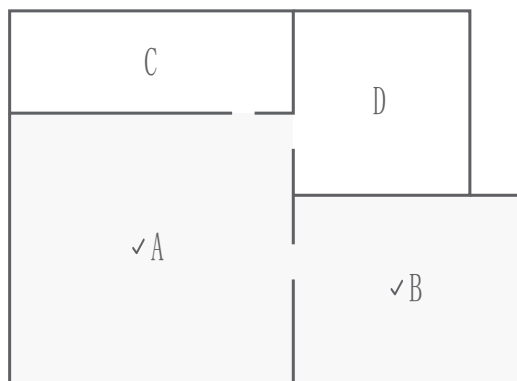
### Where to Sweep

Robot is standby mode, press below button to start spot cleaning for specific area. This mode is used to start 2 times clean in an area about 1m\*2m.



### Select Room Cleaning

Select specific rooms for cleaning in the app. In this mode, the robot will only clean the selected rooms.



### Note:

A full map must be created before this function can be used. After cleaning starts, the robot may move beyond the defined areas. Make sure there are no obstacles prevents the robots access to the target rooms.

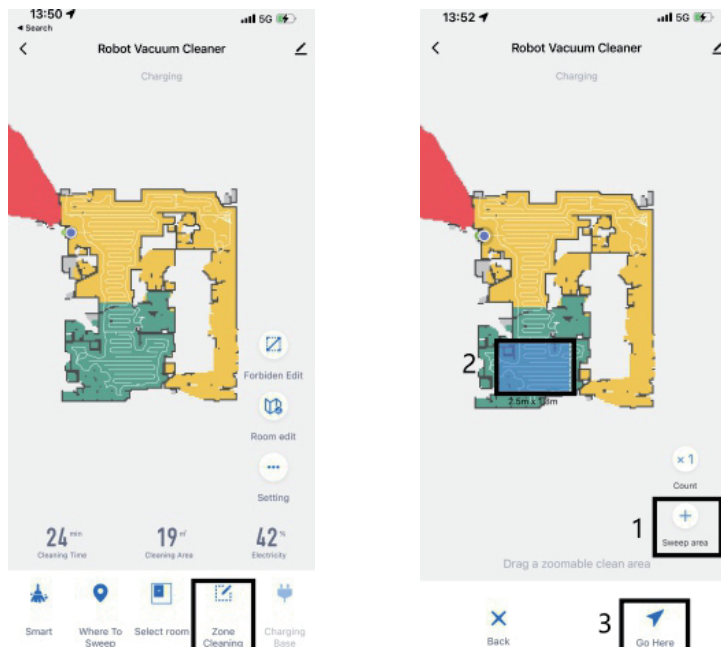


# 3.Introduction for Product Use

## 3.5 Function Use through APP

### Zone Cleaning

Drag a specific cleaning zone for robot to clean

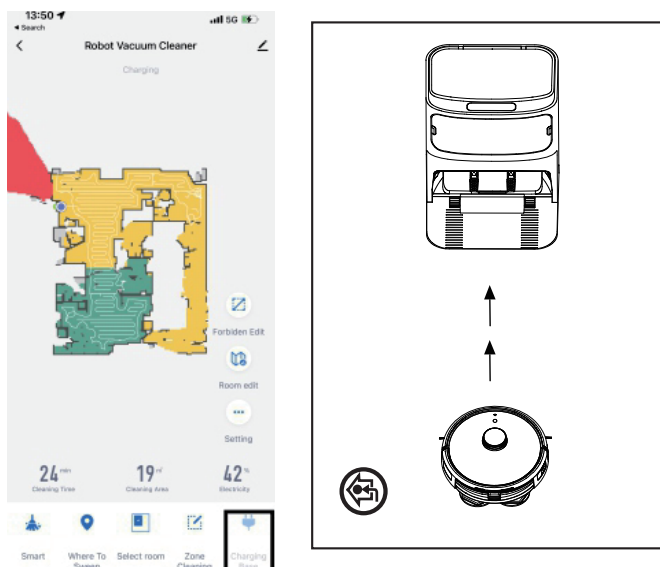


### Note:

While cleaning the designated zone, the robot may move outside zone borders. Make sure that there are no cables or obstacles placed close to clean up.

### Charging Base

Robot will start finding charging station automatically when battery power below 20%. Users can press below button to control robot back to dock station.



### Note:

While cleaning the designated zone, the robot may move outside zone borders. Make sure that there are no cables or obstacles placed close to clean up.

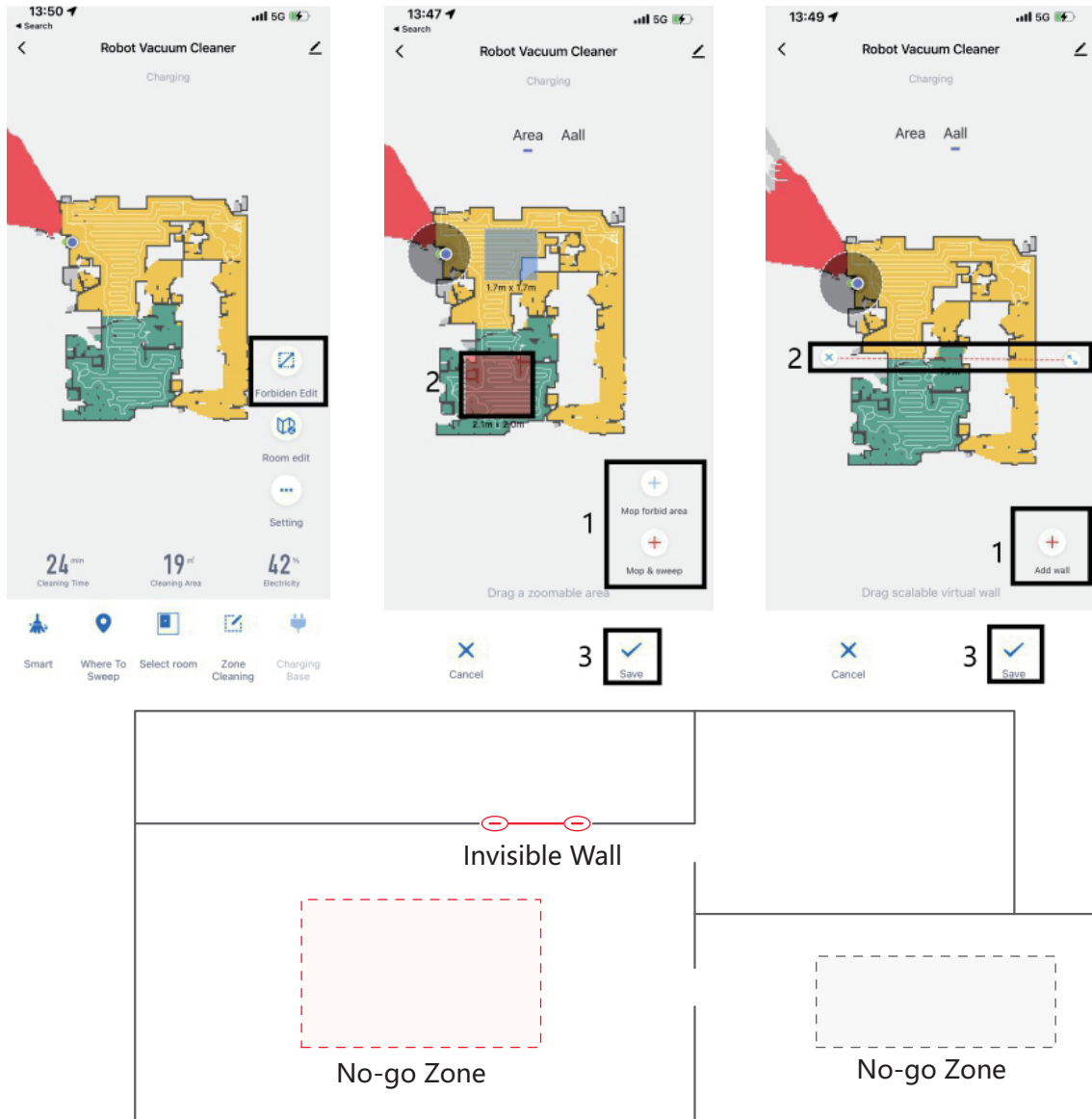


# 3.Introduction for Product Use

## 3.5 Function Use through APP

### Forbidden Edit - No-go Zones / Invisible Wall

Draw virtual no-go zones and walls for vacuuming and mopping mode to keep the robot from entering the areas you define.



**Note:**

- a. Map Saving Mode must be turned on in the app to use virtual no-go zones
- b. Virtual no-go zones and walls should only be used to customize the cleaning area. They should not be used to isolate hazards.
- c. Moving the robot manually or making significant changes to the home environment may cause the loss of Virtual No-Go Zones and Walls

# 3.Introduction for Product Use

## 3.5 Function Use through APP

### Room Edit

1.You can merge or split the areas on the map according to your needs



2.You can rename the cleaning area as you want

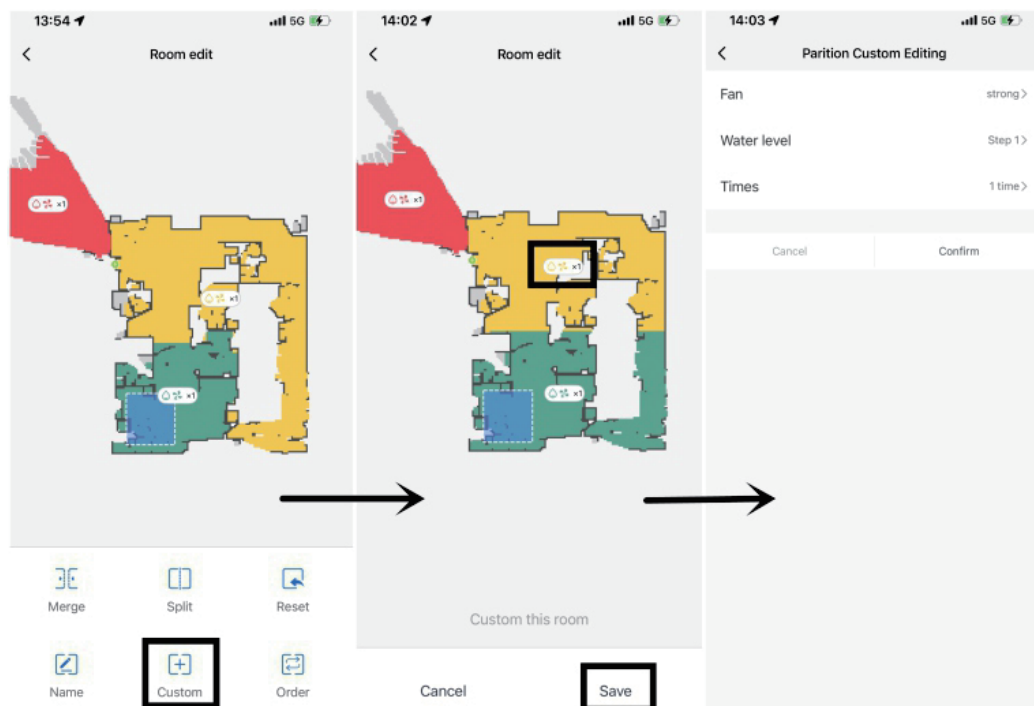


# 3.Introduction for Product Use

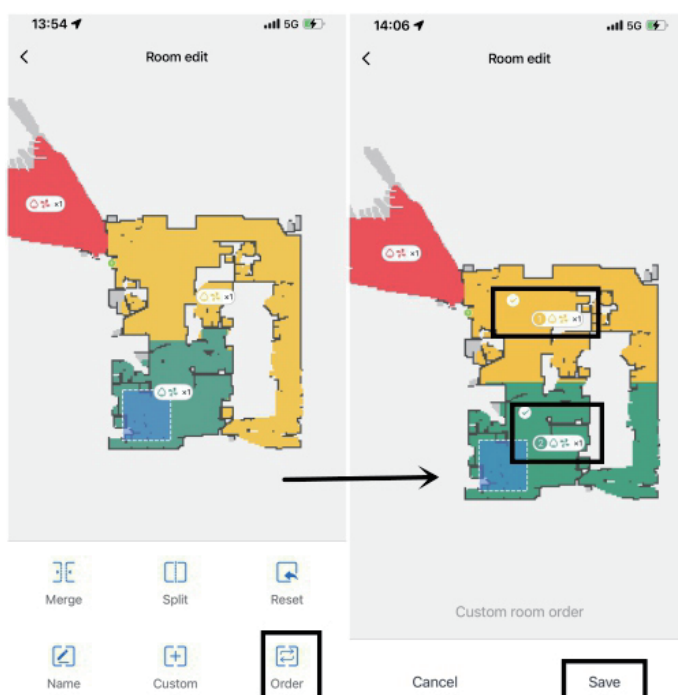
## 3.5 Function Use through APP

### Room Edit

3.You can custom suction, water flow speed and cleaning times for any rooms



4.You can customize the cleaning sequence for several rooms



# 3.Introduction for Product Use

## 3.5 Function Use through APP

### Settings(more functions)

Manual: control direction of the robot

Room Manage: check different floor maps, Max to save 5 maps

Seek Robot: use when you can't find the robot

Timer: set time to schedule cleaning

Adhesion: different level for suction select

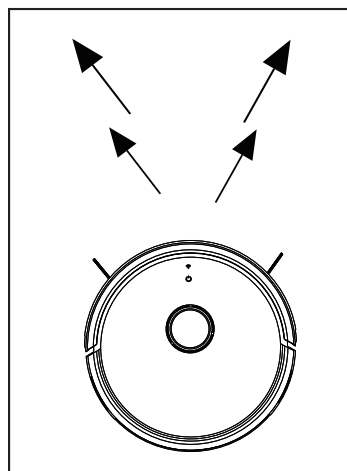
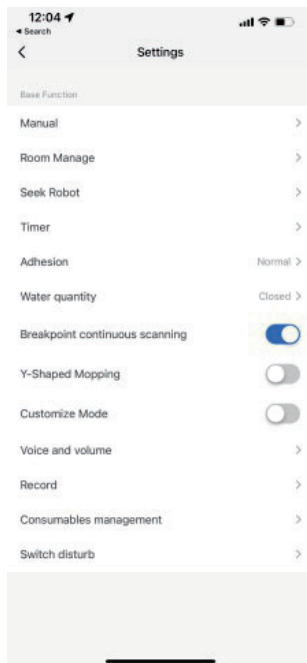
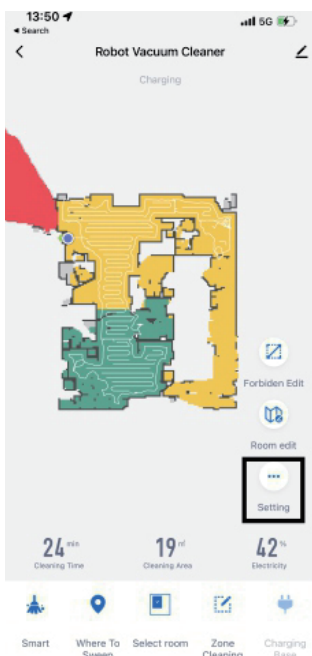
Water quantity: different level for water flow speed adjustment

Breakpoint continuous scanning: turn on this function, power below 20%, robot will automatically go to charging station for charging. once power up to 90%, robot will go back to the last stop place to continue clean the rest area. Please do not press any button or pick up the robot while its in charging, otherwise, this function will be cleared.

Y-shaped Mopping: scrubbing wet mopping clean

Voice and volume: adjust the volume

Switch disturb: turn on this function, robot without cleanups, no voice alerts, and no power indicator will dim.



Y-Shaped scrubbing wet mopping, clean thoroughly

### Note:

- a. Due to ongoing app development, the actual process may differ slightly from the above description. Always follow the instructions given in the app.
- b. Only support 2.4GHz WiFi.

# 4. Routine Maintenance

---

## 4.1 Parts Maintenance

For optimal performance, follow the instructions below to clean and maintain the robot and station.

Parts	Maintenance Frequency	Replacement Frequency
Mop	Once every month	Every 1 to 3 month
Side Brush	Once every 2 weeks	Every 3 to 6 month
Roller Brush	Once every weeks	Every 6 to 12 month
HEPA	Once every weeks	Every 3 to 6 month
Cleaning Slots	Once every 2 weeks	/
Fresh Water Tank	Once every 2 weeks	/
Dirty Water Tank	After each use	/
Dust Box	Clean it as needed	/
Universal Wheel Cliff Sensor Charging contact in robot Charging contact in station LDS sensor Front Bumper Bottom of robot Body of station	Once every 2 weeks	/

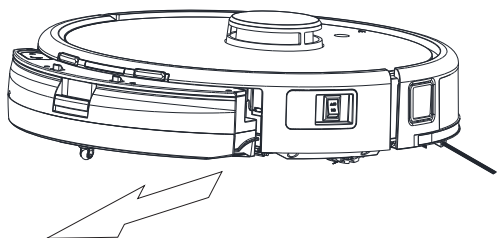
**Note:**

The replacement frequency will depend on your usage of the robot. If an exception occurs due to special circumstances, the parts should be replaced.

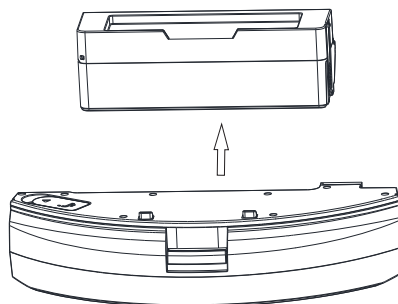
# 4. Routine Maintenance

## 4.2 Dust Box & Water Tank Maintenance

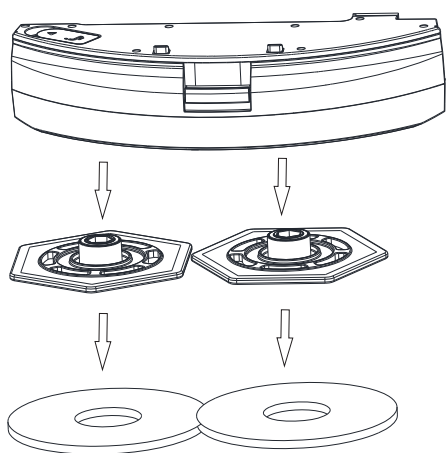
①. Remove out water tank



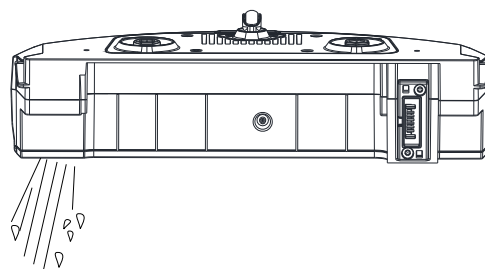
②. Take out dust tank



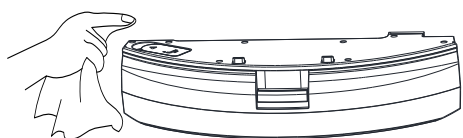
③. Remove mop pad



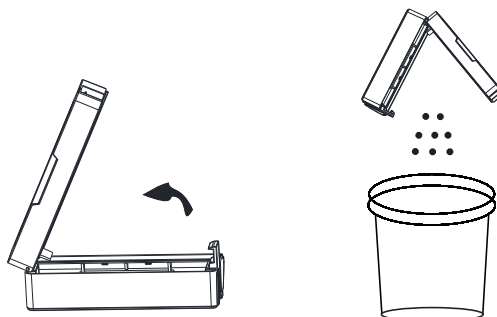
④. Pour out the rest water



⑤. Wipe and dry the water tank



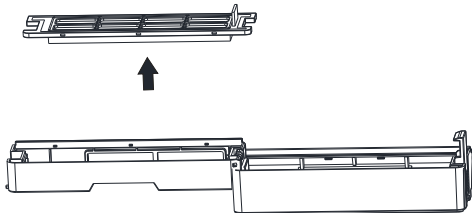
⑥. Open the bin cover and empty box as below diagram



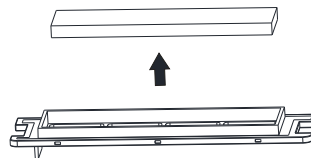
# 4. Routine Maintenance

## 4.2 Dust Box & Water Tank Maintenance

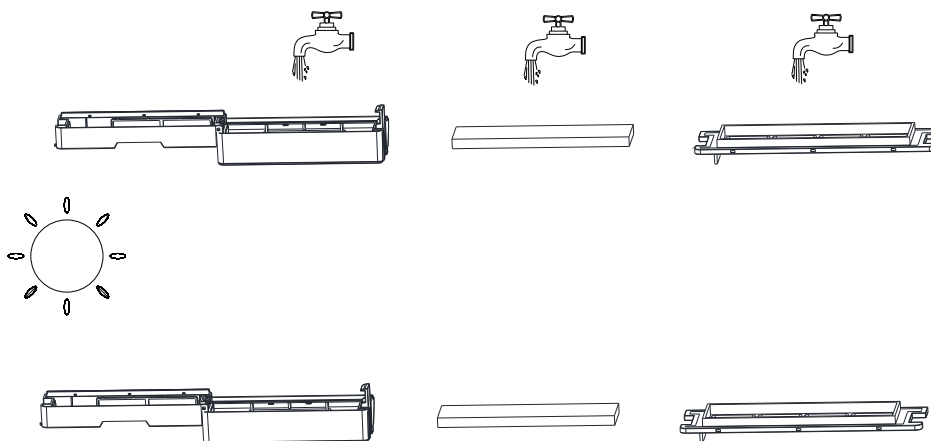
⑦. Take out HEPA support



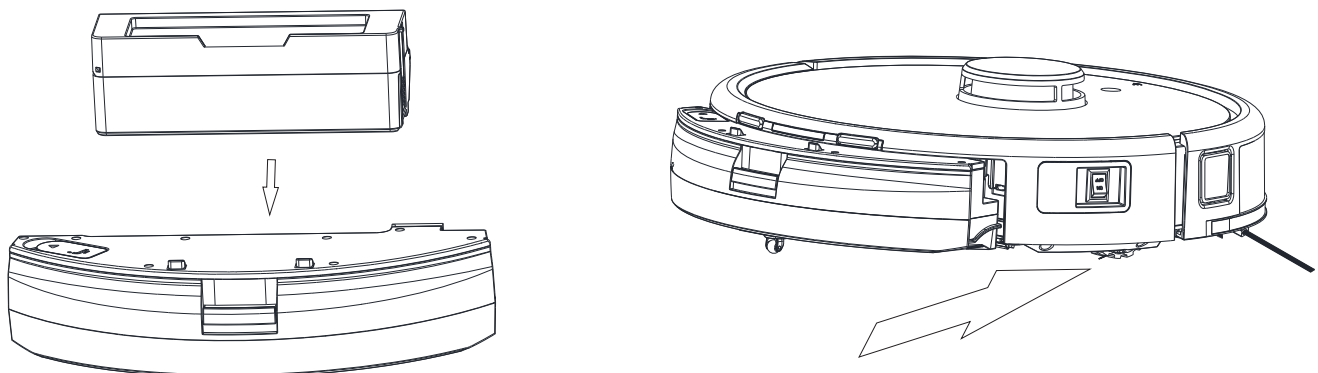
⑧. Take out HEPA filter



⑨. Rinse the dust box, HEPA filter and support under the running water and dry them completely before re-installing.



⑩. Assembly the dust box and water tank back after dry all the parts



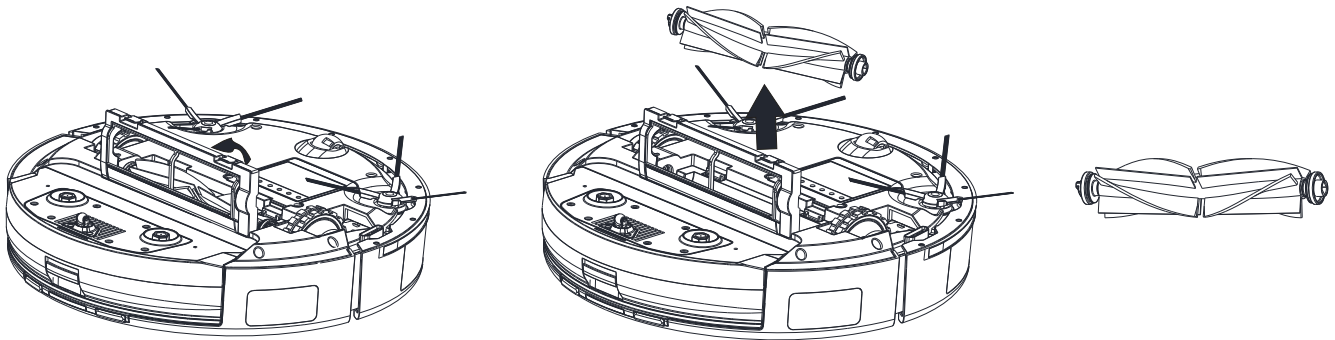


# 4. Routine Maintenance

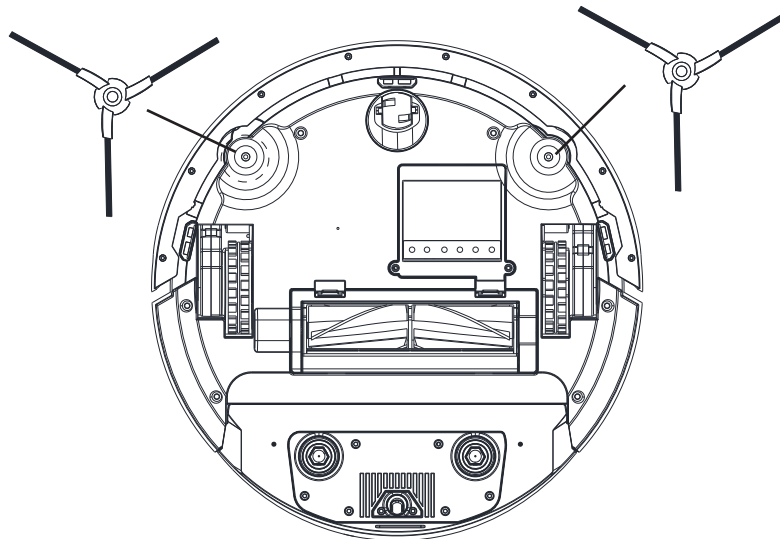
---

## 4.3 Roller Brush & Side Brush Maintenance

- ①. Press the brush guard clips backwards to remove the brush guard and lift the brush out of the robot and clean it.



- ②. Pull out the side brushes and clean it

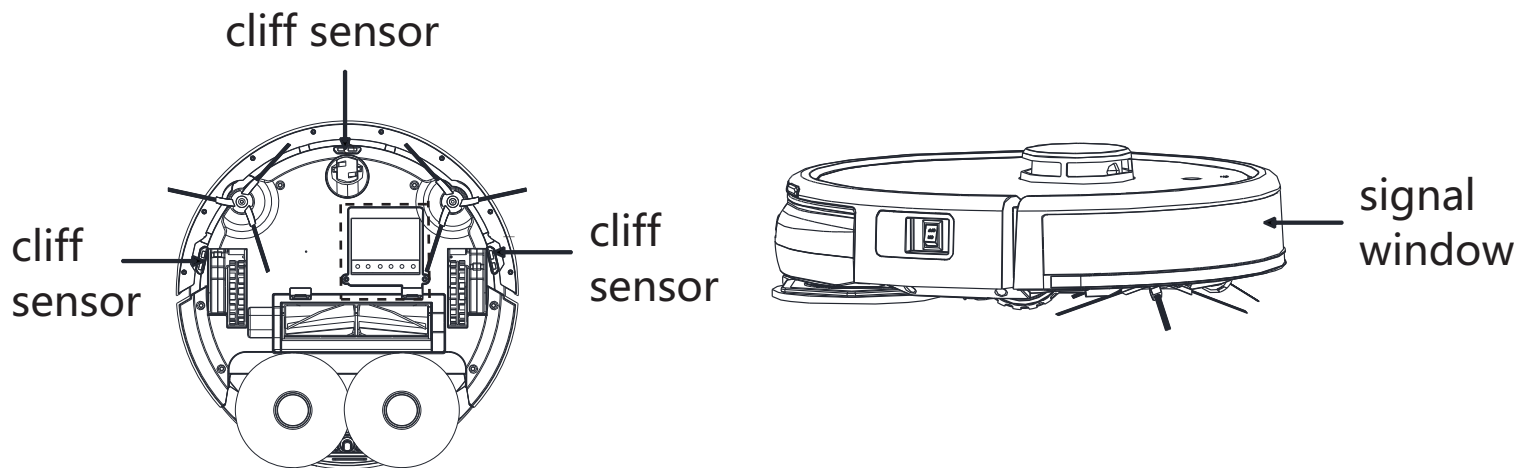




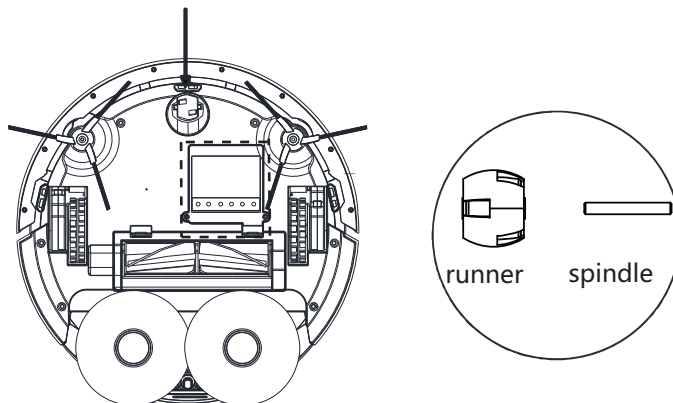
# 4. Routine Maintenance

## 4.3 Robot Other Parts

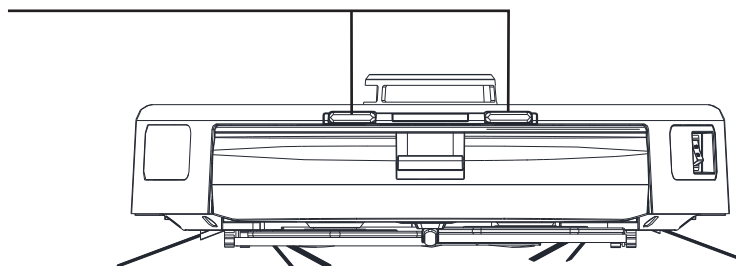
Please use dry mop to clean below parts gently



### Universal Wheel



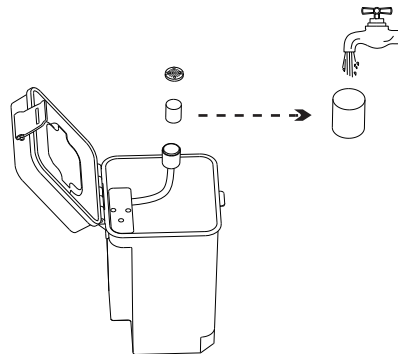
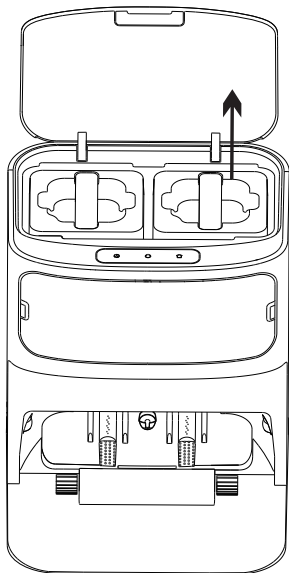
charging contact



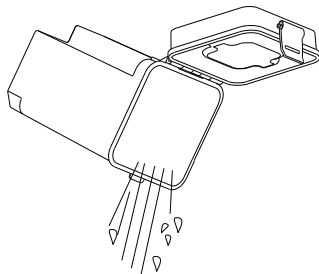
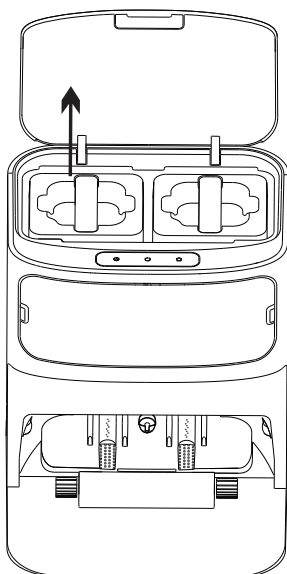
# 4. Routine Maintenance

## 4.4 Self Cleaning Station Maintenance

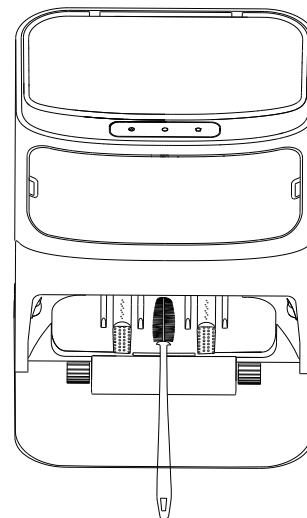
- ①. Take out fresh water tank, wash the water tank filter under running water.



- ②. Take out dirty water tank, pour out water, clean it.



- ③. Clean the cleaning slots with brush, and dry it with mop



# 5. Troubleshooting

If you encounter the following situations during the use of the product, please check it and solve it.

<b>Problems</b>	<b>Possible Cause and Solution</b>
The robot can not turn on.	<ol style="list-style-type: none"><li>1. The battery is low. Recharge the robot on the base and try again.</li><li>2. The temperature of the battery is too low or too high. It is recommended to operate the appliance at a temperature between 32 °F (0°C ) and 104 °F (40°C ).</li></ol>
The robot can not charge.	<ol style="list-style-type: none"><li>1. The base is unplugged. Make sure that both ends of the power cord are plugged in.</li><li>2. Poor contact. Wipe the charging contacts on both the base and the robot.</li></ol>
The robot fails to connect to Wi-Fi.	<ol style="list-style-type: none"><li>1. The Wi-Fi network password is incorrect. Make sure the password used to connect to your Wi-Fi network is correct.</li><li>2. The robot does not support a 5 GHz Wi-Fi connection. Make sure the robot is connected to a 2.4 GHz Wi-Fi connection.</li><li>3. The Wi-Fi signal is weak. Make sure the robot is in an area with good Wi-Fi coverage.</li><li>4. The robot may not be ready to be configured. Please exit and re-enter the app, and then try again as instructed.</li></ol>
A room-based map cannot be created in the app.	<ol style="list-style-type: none"><li>1. The robot must start from the base to create a map. It is recommended to use the fast mapping function.</li><li>2. Do not move the robot when the robot creates a map for the first time, otherwise positioning failure may occur.</li><li>3. After the robot creates a map for the first time, check whether it fails to return to the base and remove any obstacles around it.</li></ol>

# 5.Troubleshooting

If you encounter the following situations during the use of the product, please check it and solve it.

Problems	Possible Cause and Solution
The robot cannot find the base or will not return to the base	<ol style="list-style-type: none"> <li>1. The base is unplugged or is moved when the robot is not placed onto the base.</li> <li>2. The robot can not return to the base since its path is blocked. For example, a door is closed.</li> <li>3. There are too many obstacles around the base. Place the base in an area without any obstacles around it.</li> <li>4. Moving the robot may cause it to re-position itself or re-map its surroundings. If the robot is too far from the base, it might not be able to automatically return to the base, in which case you need to manually place the robot onto the base.</li> <li>5. Wipe the signaling area on the base to prevent dust or dirt.</li> </ol>
The robot is stuck in front of the base and cannot return to the base.	<ol style="list-style-type: none"> <li>1. Check whether there is enough space around the base. keep the immediate area 1.5 m in front of the base and 5 cm on both side of the base clear of objects.</li> <li>2. The robot may slip. Check whether there is water in front of the base, if so, wipe it and try to send the robot back again.</li> <li>3. It is recommended to change the place where you put the base and try again.</li> </ol>
The robot will not turn off.	<ol style="list-style-type: none"> <li>1. The robot can be turned off only when it is not charging. To turn off the robot, press the power switch on the robot side.</li> </ol> <p>If the problem persists, please contact after-sales service.</p>
The charging speed is slow.	<p>It takes about 6 hours to fully charge the robot when its battery is low.</p> <ol style="list-style-type: none"> <li>1. If you operate the robot at temperatures outside of the specified range, the charging speed will automatically slow down to extend the battery life.</li> <li>2. The charging contacts on both the robot and the base may be dirty, please wipe them with a soft cloth.</li> </ol>

# 5. Troubleshooting

If you encounter the following situations during the use of the product, please check it and solve it.

<b>Problems</b>	<b>Possible Cause and Solution</b>
The robot is malfunctioning.	Turn off the robot and then restart it.
The side brush falls off.	<ol style="list-style-type: none"><li>1. Re-install the side brush until it clicks into place.</li><li>2. The side brush is entangled by power cords. Remove the power cords from the floor before cleaning.</li></ol>
The mop pad falls off.	The mop pad is entangled by power cords. Remove the power cords from the floor before cleaning.
The cleaning performance is poor.	<ol style="list-style-type: none"><li>1. The dust bin is full. Empty it.</li><li>2. The filter needs cleaning. Check and clean it.</li><li>3. The filter is not fully dried after being washed. Dry the filter before use.</li></ol>
The robot leaks dust while cleaning.	Take out the main brush and the dust bin, and remove any debris that may have become trapped around spaces that hold the main brush and the dust bin.
The noise increases while the robot is operating.	<ol style="list-style-type: none"><li>1. The dust bin is full. Empty it.</li><li>2. Hard objects are trapped around the main brush and the dust bin. Check and clean them up.</li><li>3. The main brush and the side brush may be entangled with hair or debris. Check and clean them up.</li><li>4. Switch the suction mode to Standard or Quiet.</li></ol>
The robot makes a strange noise while operating.	Please turn and press the main wheel to check if there is any object entangled or stuck, if so, clean them in time. If the problem persists, please contact the after-sales service.
The robot is stuck and stops operating.	<ol style="list-style-type: none"><li>1. Check the corresponding area to make sure whether there are obstacles such as power cords, curtains, or carpet tassels around the robot. It is recommended to remove them so that the robot can continue to work.</li><li>2. The robot may be stuck by furniture. It is recommended to elevate the furniture, place a physical barrier to block off the problem areas, or set no-go zones by using the app</li></ol>

# 5. Troubleshooting

If you encounter the following situations during the use of the product, please check it and solve it.

<b>Problems</b>	<b>Possible Cause and Solution</b>
The robot moves without following the set route.	<ol style="list-style-type: none"><li>1. Objects such as power cords and slippers should be organized before using the robot.</li><li>2. Working on wet slippery surfaces causes the main wheel to slip. It is recommended to dry the wet places before using the robot.</li></ol>
The robot misses the rooms to be cleaned.	<ol style="list-style-type: none"><li>1. Make sure that the doors of the rooms to be cleaned are open.</li><li>2. Check whether there is a threshold higher than 1.8 cm at the door of the room. The robot cannot climb over high thresholds or steps.</li><li>3. The place in front of the room to be cleaned is wet and slippery, causing the robot to slip and work abnormally. It is recommended to dry the floor before using the robot.</li></ol>
The robot often strays into no-go zones or areas with virtual walls.	<ol style="list-style-type: none"><li>1. View the homepage of the app to check whether an error occurs to the current map, if so, restore the map in the Map Management settings.</li><li>2. When you set virtual walls or no-go zones, it is recommended to adjust boundaries based on the home environment and include all areas that are prone to getting the robot stuck, such as sinking steps and bottoms of furniture.</li></ol>
The robot gets into trouble while working and stops.	<ol style="list-style-type: none"><li>1. The robot automatically powers off when its battery is depleted to 0%.</li><li>2. The robot fails to charge, which causes its battery to run out and the robot to shut down. The possible cause is that the base is not connected to the power supply, or the robot and the base are in poor contact. Please check the connection.</li></ol> <p>If the problem persists, please contact the after-sales service.</p>
The robot will not clean automatically at the scheduled time.	The robot has low battery. The scheduled cleaning will not start unless the battery level is over 25%.

# 5.Troubleshooting

If you encounter the following situations during the use of the product, please check it and solve it.

<b>Problems</b>	<b>Possible Cause and Solution</b>
The robot will not resume cleaning after charging.	<ol style="list-style-type: none"><li>1. Make sure that the robot is not set to the Do Not Disturb (DND) mode, which will prevent it from resuming cleaning.</li><li>2. The robot does not resume cleaning when it is manually recharged or placed onto the base.</li></ol>
The robot does not respond to the base.	The robot is too far away from the base and they can not communicate with each other. It is recommended to use the app to control the robot.
Water in the clean tank is insufficient.	<ol style="list-style-type: none"><li>1. Replenish clean water in time.</li><li>2. Unplug the power cord of the base, take out the fresh tank and put it back, and then power on the base and try again.</li><li>3. Pour out the remaining water in the fresh tank, rinse the bottom of the fresh tank and filter media, and then try again after adding water into it.</li><li>4. Check the metal filter at the water inlet of the base to see if there are foreign objects, if any, please take out the foreign objects.</li></ol> If the problem persists, please contact the after-sales service.
The water level in the washboard is abnormal.	The water level in the cleaning slots is abnormal. <ol style="list-style-type: none"><li>1.Wipe the metal elastic pieces of the overflow sensor within the cleaning slots with a dry cloth.</li><li>3. Gently press down on the waste tank to ensure that the waste tank is installed in place.</li><li>4. Check if the sealing ring of the waste tank is loose or not installed properly, if so, reset it manually. If the problem persists, please contact the after-sales service.</li></ol>

**Note:**

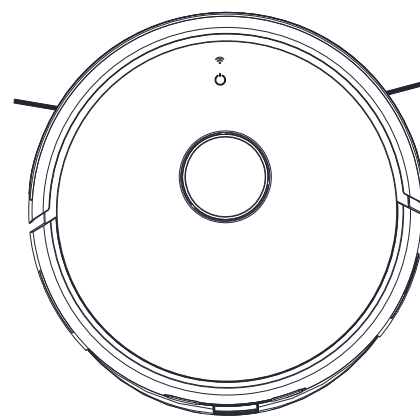
If the above troubleshooting still fails to solve the problems, please contact company' s after-sales service, please do not disassemble the robot by yourself

# 6.Specification

---

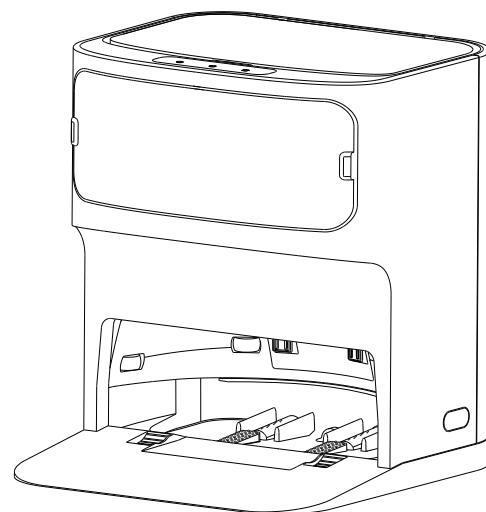
## 6.1 Robot

Model	K198
Battery	5200mAh
Power	50W
Charging Time	Approx. 9-10 hous
Working Voltage	14.8V $\overline{\text{---}}$
Input	20V $\overline{\text{---}}$ 1.5A
Wi-Fi Wireless Connectivity	Wi-Fi 2.4GHz



## 6.2 Self-Wash Charging Station

Model	KCH218
Power	40W
Input	100-240V ~ 50/60Hz
Output	20V $\overline{\text{---}}$ 3.25A





## WEEE Information



All products bearing this symbol are waste electrical and electronic equipment (WEEE as in directive 2012/19/EU) which should not be mixed with unsorted household waste. Instead, you should protect human health and the environment by handing over your waste equipment to a designated collection point for the recycling of waste electrical and electronic equipment, appointed by the government or local authorities. Correct disposal and recycling will help prevent potential negative consequences to the environment and human health. Please contact the installer or local authorities for more information about the location as well as terms and conditions of such collection points.