



INSTRUCTIONS MANUAL

Please read this manual carefully prior to using. We are not responsible for any intentional damage or improper use. If you require any additional information or have any questions about the product or its use, please contact us via www.turboracinghobby.com

This product is not a toy! (14+) Recommended for ages 14 and up. Adult supervision required for ages under 18 years old. Contains small parts, keep out of reach of children 3 years of age and younger.

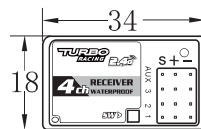
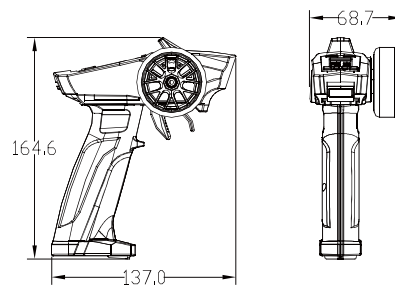


MADE IN CHINA

Congratulations on your purchase of Turbo Racing P32 4-Channel Radio System. Designed using advanced wireless technology, Turbo Racing P32 will advance and simplify control of your surface model and minimize interference while providing many years of enjoyment.

Before installing and operating your new radio system, please take a few minutes to familiarize yourself with the various features of the system by reading this instruction manual thoroughly.

SPECIFICATIONS		
Model	TX	
Part #	P32	
Configuration	Pistol grip	
Frequency Band	2.4 GHz	
Channels	4CH	
Input voltage	AAA x4	
Dimensions	Length (mm)	137.00
	Height (mm)	164.60
	Width (mm)	68.70

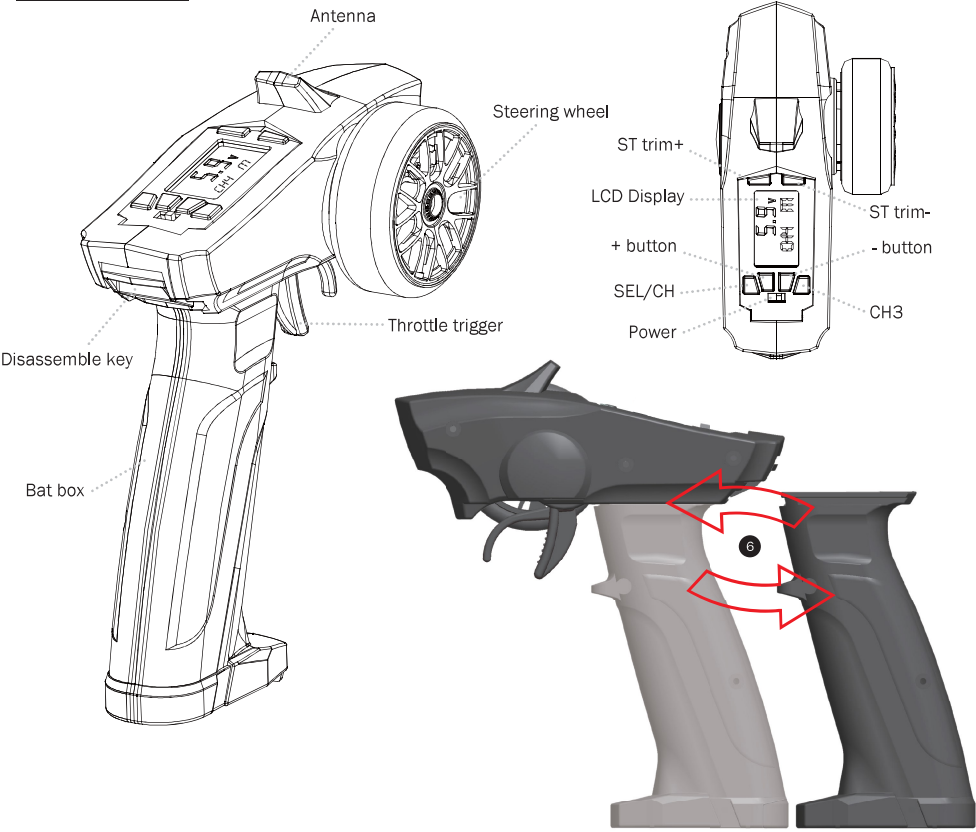


WARRANTY

Turbo.Racing P32 4-Channel Radio System is warranted to the original purchaser for 30 days from the date of purchase, verified by the sales receipt, against defects in material and workmanship. Product that has been mishandled, abused, used incorrectly, used for an application other than intended or damaged by the user is not covered under warranty. Turbo Racing. is not liable for any loss or damage, whether direct or indirect, incidental or consequential, or from any special situation, arising from the use, misuse, or abuse of this product.

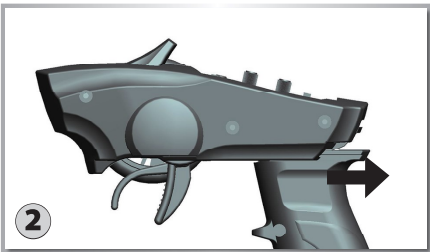
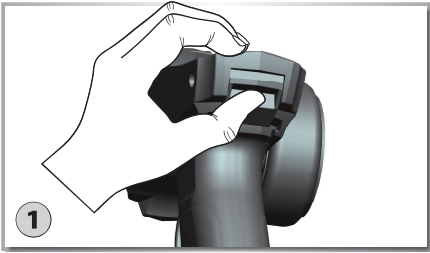
INSTRUCTIONS MANUAL

Functions LCD



Disassemble Handle & Install

- 1. Press the button
- 2. take away the handle
- 3. press the button, install the handle

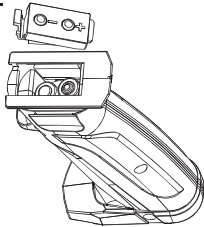


INSTRUCTIONS MANUAL

Battery Installation

Using the AAA batteries or NIMH batteries, when the voltage is lower than $4.5V \pm 0.2$, the buzzer sounds continuously, and the LED should start flashing.

1. Remove the battery cover from the transmitter.
2. Insert four new AAA batteries according to the polarity markings on the battery holder.
3. Reinstall the battery cover.



WARNING: DO NOT ATTEMPT TO CHARGE NON-RECHARGEABLE BATTERIES. YOU MAY CAUSE AN EXPLOSION.

WARNING: PLEASE DON'T RESERVE THE BATTERY, OR IT WILL BURN OUT THE PCB

Connection

- Channel 1: Controlled by the wheel, connect to a servo for steering.
- Channel 2: Controlled by the trigger, connect to the ESC or a servo for throttle/brake.
- Channel 3: Controlled by the adjustment knob (0-100%) for optional use. This port can also be used to connect a transponder device used in racing.
- AUX (Channel 4): Controlled by button (ON/OFF) for optional use. This port is most commonly used for LED light kits. Use this port to connect an external battery for use with gas powered vehicles.

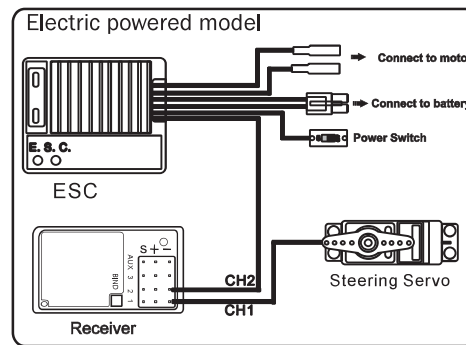
CAUTION: NEVER CONNECT A BATTERY WITH VOLTAGE HIGHER THAN 6.0V TO THE RECEIVER, DOING SO COULD DAMAGE THE ELECTRONICS.

Receiver Installation & Connection

Installation

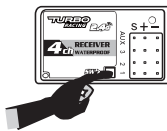
To achieve full operating range with your radio system it is critical that the receiver antenna be undamaged and installed properly. It should be installed with as much of the antenna as possible in a vertical position. The end of the antenna should be contained inside an antenna tube. When installing:

- Ensure there are no kinks in the antenna or antenna tube.
- Never fold the end of the antenna over the tube, this will reduce the operating range of the system and damage the antenna.
- Ensure the receiver is mounted securely or padded against hard impacts.



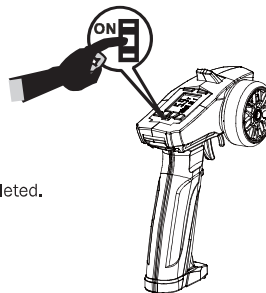
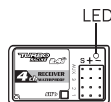
Pairing The Transmitter & Receiver

1. Turn on the receiver power. Press the SW switch. The receiver's LED should start flashing.



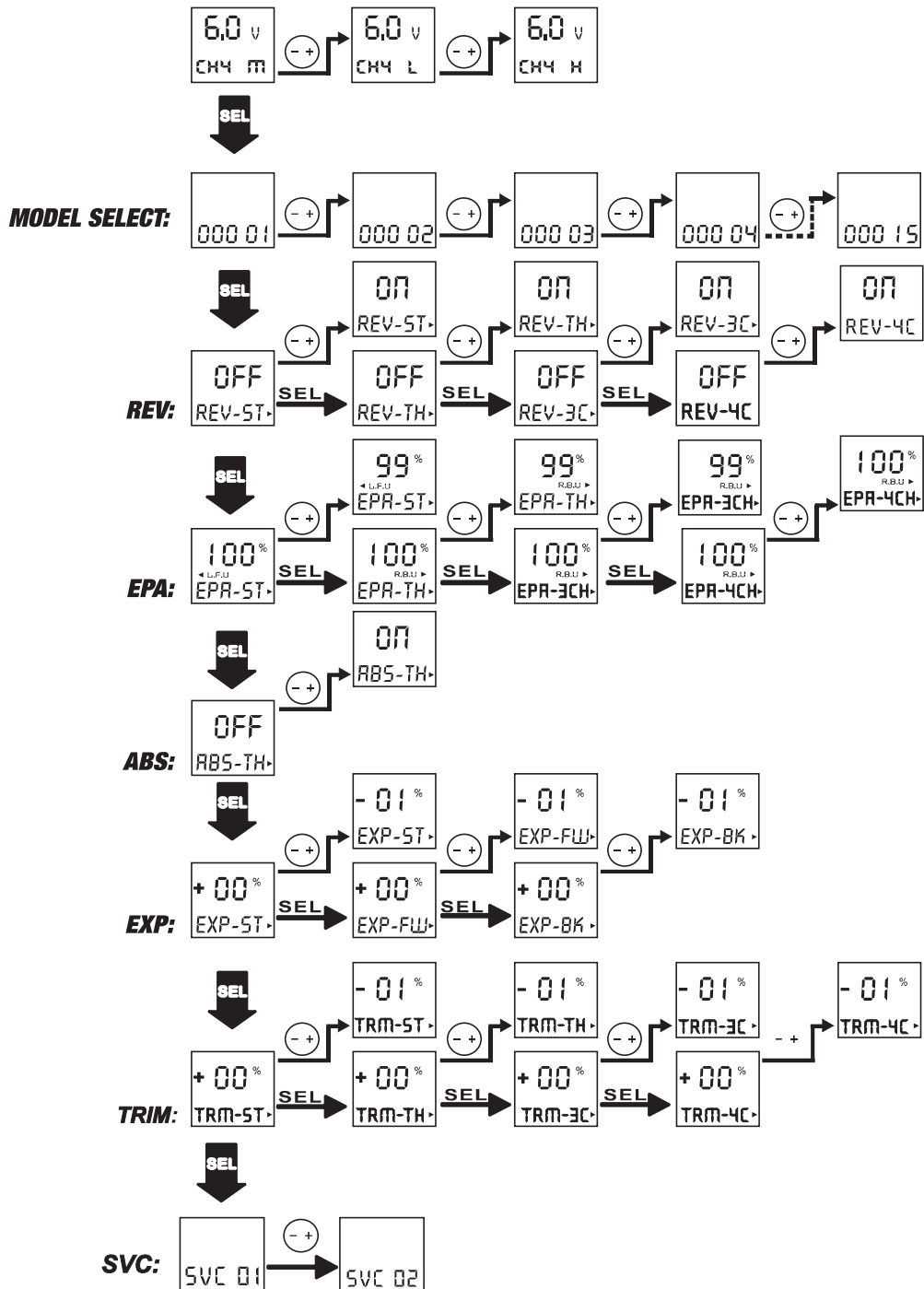
2. Turn on the transmitter.

3. When the LED on the receiver becomes solid, the binding process is completed.

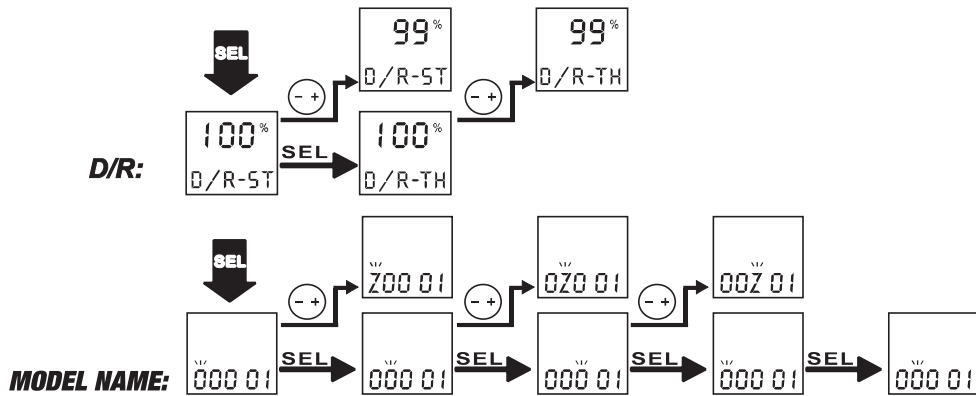


Note: Radio systems installer in RTRs have already been bound. Only when installing a new transmitter or receiver is the above process necessary

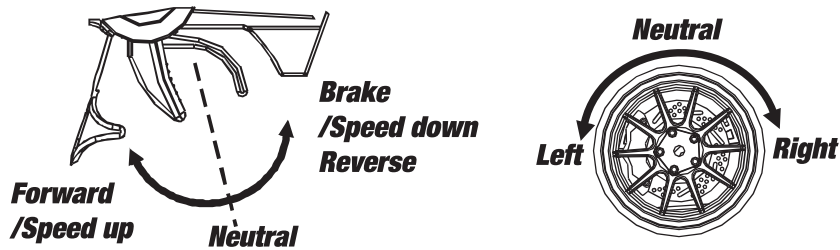
LED FUNCTION DISPLAY



INSTRUCTIONS MANUAL



Operation



Fail safe function setting

Please turn on the TX, then pull the TH trigger anywhere you want to and hold it, press the SW button of the receiver about 2sec, the LED should start flashing for 5sec, then release SW button and TH trigger, turn off the TX.

Using Caution While Operating

- Do not operate the model or use the radio in the rain, in the presence of lightning, or at night.
- Do not operate the model or use the radio if you have been drinking alcohol or are under the influence of any other substance that will affect your skills.
- Always confirm that the radio has sufficient battery power before operating.
- Keep out of reach of children.
- Do not store the radio in temperatures below -10°C (14°F) or above 40°C (104°F) or in humid, dusty, or in high-vibration environments. Keep the radio away from direct sunlight.
- To prevent corrosion, remove the batteries from the radio if it will be stored for more than one week.

General Care

1. Always use clean, dry cloth or soft bristle brush to clean your equipment.
2. Never use chemical cleansers, as these could damage the sensitive electronics and plastics.

This equipment has been tested and found to comply with the limits for a Class B digital device, pursuant to part 15 of the FCC Rules. These limits are designed to provide reasonable protection against harmful interference in a residential installation. This equipment generates, uses and can radiate radio frequency energy and, if not installed and used in accordance with the instructions, may cause harmful interference to radio communications. However, there is no guarantee that interference will not occur in a particular installation. If this equipment does cause harmful interference to radio or television reception, which can be determined by turning the equipment off and on, the user is encouraged to try to correct the interference by one or more of the following measures:

- Reorient or relocate the receiving antenna.
- Increase the separation between the equipment and receiver.
- Connect the equipment into an outlet on a circuit different from that to which the receiver is connected.
- Consult the dealer or an experienced radio/TV technician for help.

Caution: Any changes or modifications to this device not explicitly approved by manufacturer could void your authority to operate this equipment.

This device complies with part 15 of the FCC Rules. Operation is subject to the following two conditions: (1) This device may not cause harmful interference, and (2) this device must accept any interference received, including interference that may cause undesired operation.

The device has been evaluated to meet general RF exposure requirement. The device can be used in portable exposure condition without restriction.