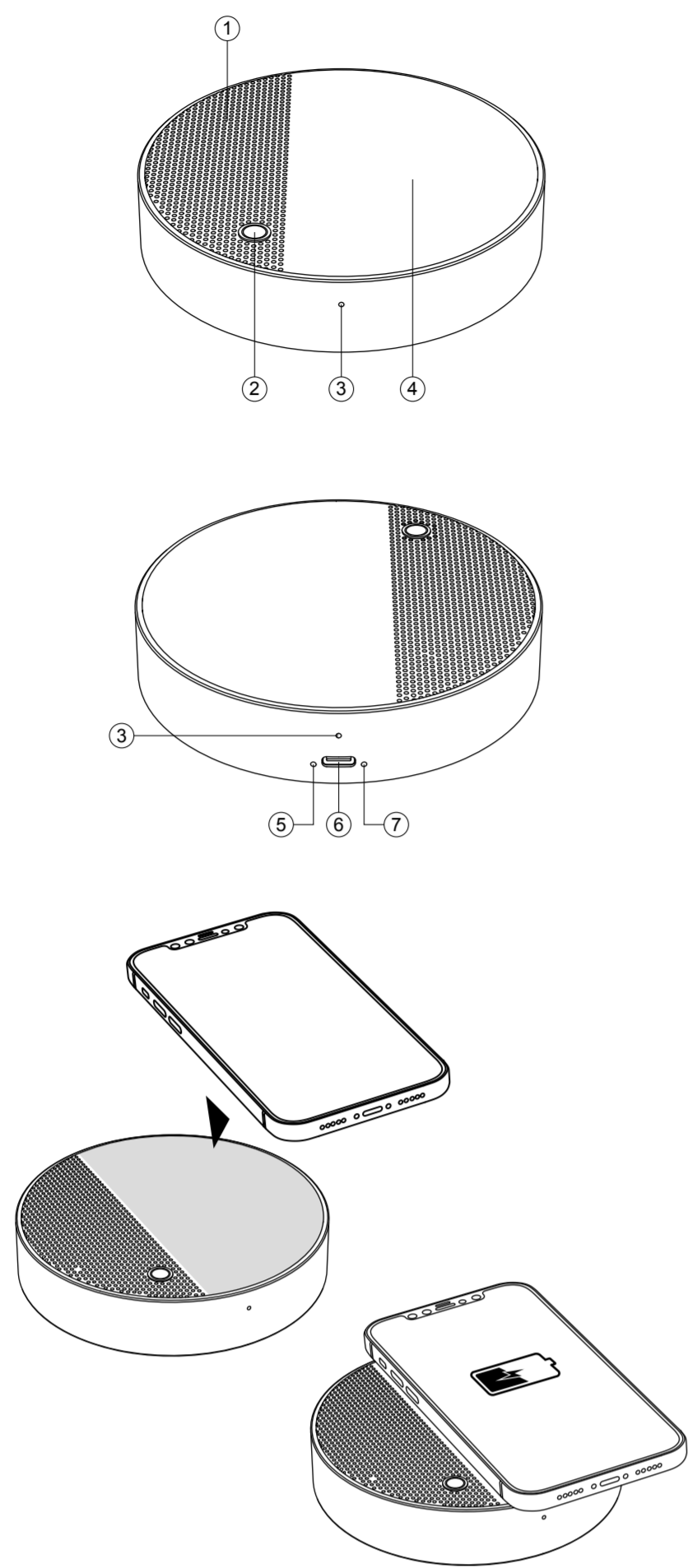


125 mm



LL141 OSLO ENERGY+

Design by Manuela Simonelli & Andrea Quaglio



ENGLISH

Thank you for choosing our Oslo Energy+. Before using the appliance, and to ensure the best use, carefully read these instructions. Keep this manual for future reference.

WARNING To get your Lexon's device properly operating, make sure to use a DC 5V/2A Power Adapter (not included) or a Quick Charge 3.0 power adapter (not included). Using a different charger or adapter with lower specification than mentioned above, will significantly affect the wireless charging performance. The audio quality and the device irreversible damage to your device.

PRODUCT OVERVIEW 1. Speaker 2. Button 3. Microphone 4. Bluetooth® light indicator 5. USB Type-C port 7. Wireless charging light indicator

FEATURES • 5W wireless charge • Multi-device wireless speaker • Dual microphone • Conference for conference calls • Environmental noise cancellation

DEFINITION 1. Plug the provided USB Type-C cable into the charging port of Oslo Energy+. 2. Plug the USB end of the cable into DC 5V/2A power adapter or Quick Charge 3.0 USB power adapter. 3. Connect the power adapter to a power source. When the device is powered, the light indicator next to the charging port turns blue.

Light status indicator table with columns for Operation mode, Power supply, Enter in pairing mode, and Bluetooth device connected.

Bluetooth Hands-Free operation 1. Answer a call: Press the button once. 2. End a call: Press the button once. 3. Hold-Calling: Under standby mode, first press the button twice for 2 seconds. While the Bluetooth® is in use, press the button to stop playing, and press again to continue playing.

Light status indicator table for wireless charging with columns for Operation mode, Power supply, On hold, Start charging, Foreign object detected, and Fully charged.

SAFETY PRECAUTIONS Read all the instructions before using the device. 1. Protect the speaker from heat, heat sources such as radiators, heaters, air ducts, sunlight. 2. Wireless charging may not work properly if you have attached a too thick case to your mobile phone. If your mobile phone case thick, remove it when charging your mobile phone on the wireless charging surface.

PRODUCT SPECIFICATIONS Model: LL141 Material: ABS Dimensions: Ø 124 x 25 mm | Ø 4.7 x 0.98" Weight: 250 g | 8.8 oz

Audio Bluetooth version: 4.2 Speaker unit: 10W/3500mAh Transmitter: Bluetooth® 4.2 Working frequency: 110.25MHz & 2400-2480MHz RF output power: 450mW Impedance: 4Ω

Wireless charge Input: DC 5V/2A Output power: 10W/3500mAh Transmitter: Bluetooth® 4.2 Working frequency: 110.25MHz & 2400-2480MHz RF output power: 450mW Conit: 1.0m Conversion: USB Type-C (cable included)

FRANÇAIS

DEUTSCH

NEDERLANDS

ITALIANO

ESPAÑOL

РУССКИЙ

RECTO

日本語

中文

한국어

עברית

العربية

POLSKI

TÜRK

ไทย

EUROPEAN UNION CE DIRECTIVE LEXON hereby declares that the device is in compliance with the essential requirements and other relevant provisions of Directives 2014/53/EU & 2011/65/EU. The original EU declaration of conformity may be found at: https://www.lexon-design.com/assets/certifications-ce-osloenergyplus.pdf

UK CONFORMITY ASSESSMENT The product described above is in conformity with the relevant UK harmonisation legislation. The original UK declaration of conformity may be found at: https://www.lexon-design.com/assets/certifications-ukca-osloenergyplus.pdf

DISPOSAL AND RECYCLING INFORMATION After the implementation of the European Directive 2012/18/EU in the national legal system, the following applies: electrical and electronic devices may not be disposed of with domestic waste. Consumers are obliged by law to return electrical and electronic devices at the end of their service lives to the public collecting points set up for this purpose or point of sale. Details to this are defined by the national law of the respective country. This symbol on the product, the instruction manual or the packaging indicates that a product is subject to these regulations. By recycling, reusing the materials or other forms of utilizing old devices, you are making an important contribution to protecting our environment.

USA - FCC STATEMENT This device complies with part 15 of the FCC Rules. Operation is subject to the following two conditions: (1) This device may not cause harmful interference, and (2) this device must accept any interference received, including interference that may cause undesired operation.

NOTE: Any changes or modifications not expressly approved by the party responsible for compliance could void your authority to operate the equipment. The equipment has been tested and found to comply with the limits for a Class B digital device, pursuant to part 15 of the FCC Rules. These limits are designed to provide reasonable protection against harmful interference in a residential installation.

This equipment generates, uses and can radiate radio frequency energy and, if not installed and used in accordance with the instructions, may cause harmful interference to radio communications. However, there is no guarantee that interference will not occur in a particular installation. If this equipment does cause harmful interference to radio or television reception, which can be determined by turning the equipment off and on, the user is encouraged to try to correct the interference by one or more of the following measures:

- Reorient or relocate the receiving antenna.
- Increase the separation between the equipment and receiver.
- Connect the equipment into an outlet on a circuit different from that to which the receiver is connected.
- Consult the dealer or an experienced radio/TV technician for help.

RF exposure statement This equipment complies with FCC radiation exposure requirements set forth for an uncontrolled environment. End users must follow the specific operating instructions for satisfying RF exposure compliance.

Canadian Compliance Statement This device complies with Industry Canada license-exempt RSSA. Operation is subject to the following two conditions: 1) This device may not cause interference, and 2) This device must accept any interference, including interference that may cause undesired operation of the device.

Le présent appareil est conforme aux CNR d'Industrie Canada applicables aux appareils radio exempts de licence. L'émission est autorisée aux deux conditions suivantes: (1) l'appareil ne doit pas produire de brouillage, et (2) l'utilisateur de l'appareil doit accepter tout brouillage radioélectrique subi, même si le brouillage est susceptible d'en compromettre le fonctionnement.

RF exposure statement This device complies with the ICES RSS-102 RF exposure requirement set forth for an uncontrolled environment and is safe for intended operation as described in this manual. Cet appareil est conforme aux exigences d'exposition RF de l'ISED RSS-102 définies pour un environnement non contrôlé et est sûr pour le fonctionnement prévu comme décrit dans ce manuel.



LEXON 125, Avenue des Champs-Élysées - 75008 Paris - FRANCE All brands or product names are or may be trademarks or their respective owners. Pictures and specifications are not contractual. Assembled in China. lexon-design.com | @lexondesign

RECTO