
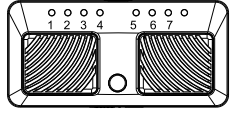

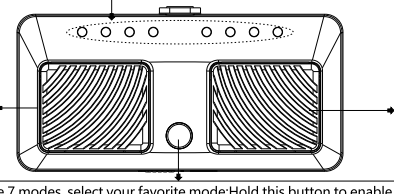


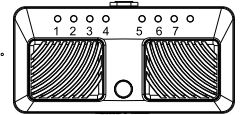

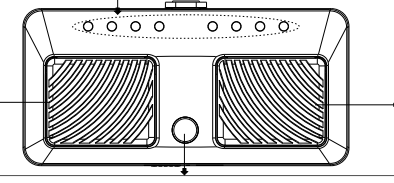
# Cube turner Pro\_ 踩钉脚踏\_中英文说明书排版

英文

	<p><b>Product Description</b> Thank you for purchasing this Cube Turner Pro. This product is suitable for Mobile Phone, PAD or Computer, we can use it for turning the page, viewing pictures, controlling some software of Computer/Phone, replacing some keys of Computer keyboard. It also could be used while the power switch in OFF, it can be two "Momentary Switch" of the other product.</p> <p>This product adopts foot-control design and wireless BT connection, which is simple and convenient. The built-in battery can be used continuously for up to 48 hours when it is fully charged. The player can realize one-foot operate the equipment, make your operation more smooth!</p> <p><b>Features</b> This product has 7 modes to choose from, please select a mode according to your requirements. The 7 modes correspond one-to-one to the seven lights on the left side of the front panel. Please refer to the following introduction.</p> <p>1. It can replace the Left and Right keys of the computer keyboard, or for other devices to turn the page.</p>	<p>2. It can replace the Up and Down keys of the computer keyboard, or for other devices to turn the page.</p> <p>3. It can replace the Page Up and Page Down keys of the computer keyboard, or use for other devices.</p> <p>4. It can function as the Space key and Enter key.</p> <p>5. It can be used in multimedia software to switch between the Previous song and the Next song.</p> <p>6. It can use to swipe left and right on your Android phone.</p> <p>7. It can use to swipe up and down on your Android phone.</p>  <p><b>Attentions</b> <b>1. Power supply:</b> Please make sure to use the correct 5Vs 10% power adapter to charge this product. The maximum of working voltage must be less than 6V. Otherwise, it may cause equipment damage. Please turn off the device when you do not need to use this product or when there is a thunderstorm. <b>2. Electrical interference:</b> Electromagnetic waves such as radios and televisions, may cause interference to this equipment, so please stay away from equipment that generates large electromagnetic waves as much as possible.</p>	<p><b>3. Placement:</b> In order to prevent deformation, discoloration and other damages to this product, please avoid the following situations: A. heat source B. magnetic field C. direct sunlight D. high temperature and humidity E. high humidity F. dusty or dirty place G. strong vibration or shaking</p> <p><b>Side Panel</b> <b>1. Power switch:</b> <b>2. Power indicator:</b> During charging, the indicator will stay red. When the battery is normally using, or fully charging, the indicator will go off. <b>3. Type-C Jack:</b> It can use for charging; you can use a cable to connect it to Computer, then it can turn the pages or view the pictures, it can control some software of computer, etc. <b>4. TRS output interface:</b> When the power switch in OFF, you can use a cable with stereo or mono 1/4"(6.5mm), connect TURNER to other product. Then the TURNER can send the signal of "Momentary Switch".</p> 	<p><b>Front Panel</b> 1. There are 8 lights in total, with the 7 lights on the left representing 7 modes; if the light on the far right is on, it indicates that the "Continuous Sending" function is enabled, when you hold the left/right footswitch, the product will continuously send signals until you release the footswitch. When one of the seven lights on the left is on, it means that the BT has been successfully connected to another device. When one of the lights flashing, it means the product has been turned on and the BT is waiting to be connected.</p>  <p>2. Left footswitch, it is use to send the signal. 4. Right footswitch, it is use to send the signal. 3. Click this button to rotate 7 modes, select your favorite mode; Hold this button to enable or disable the "Continuous sending" function.</p>	<p><b>FCC Warning</b> *FCC Warning Statement Changes or modifications not expressly approved by the party responsible for compliance could void the user's authority to operate the equipment. This equipment has been tested and found to comply with the limits for a Class B digital device, pursuant to Part 15 of the FCC Rules. These limits are designed to provide reasonable protection against harmful interference in a residential installation. This equipment generates uses and can radiate radio frequency energy and, if not installed and used in accordance with the instructions, may cause harmful interference to radio communications. However, there is no guarantee that interference will not occur in a particular installation. If this equipment does cause harmful interference to radio or television reception, which can be determined by turning the equipment off and on, the user is encouraged to try to correct the interference by one or more of the following measures: ■ Reorient or relocate the receiving antenna. ■ Increase the separation between the equipment and receiver. ■ Connect the equipment into an outlet on a circuit different from that to which the receiver is connected. ■ Consult the dealer or an experienced radio/TV technician for help.</p>	<p><b>FCC Radiation Exposure Statement</b> The device has been evaluated to meet general RF exposure requirement. The device can be used in portable exposure condition without restriction. This device complies with Part 15 of the FCC Rules. Operation is subject to the following two conditions: (1) This device may not cause harmful interference, and (2) This device must accept any interference received, including interference that may cause undesired operation.</p>
---	---	---	---	--	---	--

英文封面

中文

<p><b>产品描述</b> 感谢您购买这款无线翻页踏板,本产品适用于平板、手机或电脑,可用于操作图片翻阅、翻谱、多媒体软件控制、代替键盘上的某些功能键、等等,也适用于某些产品,作为某些产品的瞬时开关,让您更便捷地激活/关闭或者切换这些设备的特定功能。</p> <p>本产品采用脚踏控制为主的设计,无线BT连接,极其简便,内置电池,满电状态下可连续使用长达48个小时,操作者可实现单脚操控翻页,让您的操作更加顺畅!</p> <p><b>功能介绍</b> 本产品共有7个操作模式,与产品正面板上的左边7个灯是一一对应,切换到指定的灯后,产品上的左右踏板可分别用于以下功能:</p> <ol style="list-style-type: none"> <li>代替电脑←键和→键,或者用于其他设备的左右翻页功能。</li> <li>代替电脑↑键和↓键,或者用于其他设备的上下翻页功能。</li> <li>代替电脑Page Up键和Page Down键,或者用于其他设备的功能,空格键和回车键。</li> <li>用于多媒体软件控制上一曲和下一曲的功能。</li> <li>用于安卓手机进行左右滑屏的功能。</li> <li>用于安卓手机进行上下滑屏的功能。</li> </ol> 	<p><b>注意事项</b></p> <ol style="list-style-type: none"> <li><b>电源供应:</b> 请确保使用正确的5Vs 10%电源变压器为本产品充电,最大工作电压必须小于6V,否则可能会导致设备损坏,在不需要使用本产品或是雷雨天气时请关闭本产品。</li> <li><b>电磁干扰:</b> 收音机、电视机等电磁波可能会对设备造成干扰,因此请尽量远离产生电磁波较大的设备。</li> <li><b>放置场所:</b> 为防止变形、变色和其他方面等对本产品造成损坏,请避免以下情况: A. 热源 B. 磁场 C. 阳光直射 D. 高温潮湿 E. 湿度较大 F. 多尘或不洁地方 G. 强烈震动或摇晃。</li> </ol>	<p><b>侧面面板功能图</b></p> <ol style="list-style-type: none"> <li><b>开机按钮。</b></li> <li><b>电源指示灯。</b> 开机时,本机在正常使用时电源灯为熄灭状态,当充电时,指示灯为红灯常亮,充满电时灯熄灭。</li> <li><b>充电&amp;数据接口。</b> 可供设备充电/供电;可对其他硬件设备进行有线控制,也可使用产品附带的数据线,连接电脑USB端口,对电脑进行控制,电脑图片翻页、某些多媒体软件控制,等等。</li> <li><b>TRS输出接口。</b> 当开关按钮在OFF档位上,本机关机的情况下,使用大三芯线,将本产品与其他设备进行连接,即可获得2个瞬时踩钉开关,适用于大部分支持瞬时型外接脚踏开关控制器的设备。</li> </ol> 	<p><b>正面板功能图</b></p> <ol style="list-style-type: none"> <li>共八个指示灯,左边七个灯代表7个操作模式,最右边的一个灯常亮表示机器已开启“持续发送”功能,开启后,当踩住左右踩钉不定时,本机将持续不断地发送信号,直至脚松开,当左边七个灯的其中一个持续常亮时,代表此时本机已被其他设备的BT连接;当其中一个灯闪亮,即代表目前本机属于开机状态,目前等待BT连接。</li> <li>左踩钉,用于脚踏发送信号。</li> <li>功能按钮:短按按钮可用于循环切换选择七个模式中的任意一个模式,选择完毕后对应的模式灯会亮起;长按按钮可用于并开/关闭“持续发送”功能。</li> <li>右踩钉,用于脚踏发送信号。</li> </ol> 
--	---	--	--