

FCC Class II Permissive Change Request Letter

Date: 2/17/2023

To FCC:

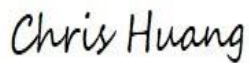
RE: FCC Permissive II Change Request for Company: Arovast Corporation FCC ID: 2ARBY-CS168

We are submitting an application for a class II permissive change to the FCC approval of the Company name: Arovast Corporation, product description: Air Fryer (FCC ID: 2ARBY-CS168, Original Grant Date: 12/29/2022). The transmitter module itself has not changed. Here are the changes:

Power board chip and resistance component parameters are changed.

See appendix for detail.

Sincerely,



Client's signature:

Name: Chris Huang

Title: Sr Manager, Product Compliance

Applicant Company: Arovast Corporation

浙江精体

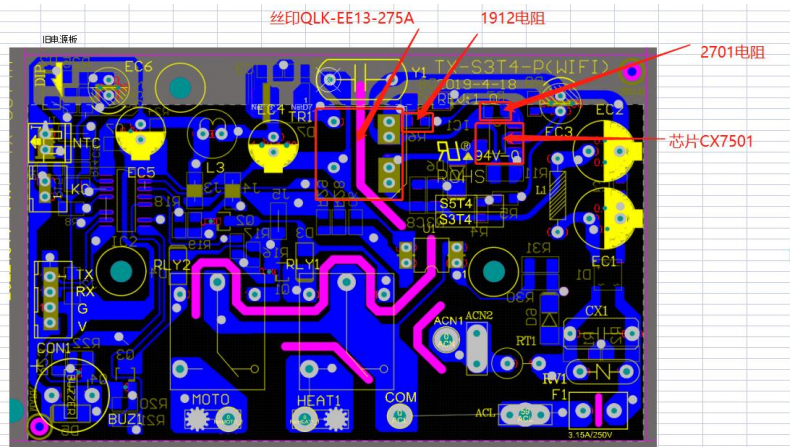
Power board change description



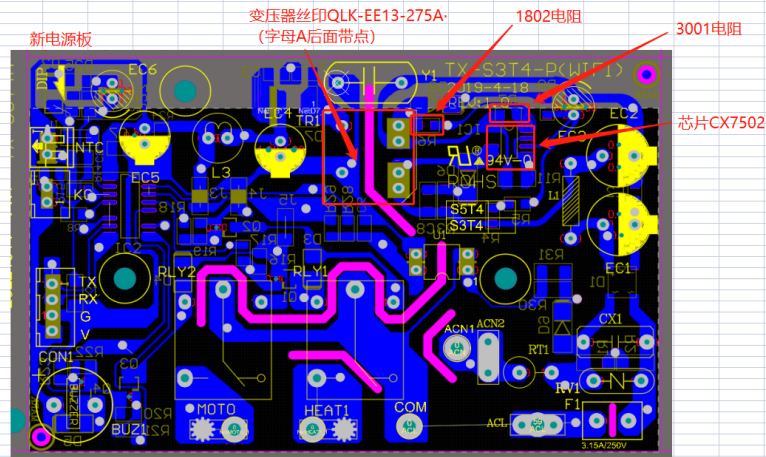
➤ **Change content:**

- 1、 The R6 resistor is changed to “1060144-R-0805-K-1802-F-T”
- 2、 The R7 resistor is changed to “1060214-R-0805-K-3001-F-T”
- 3、 IC1 chip changed to “3052330-CX7502 (SOP-7) ”

三、Comparison before and after the Power board change

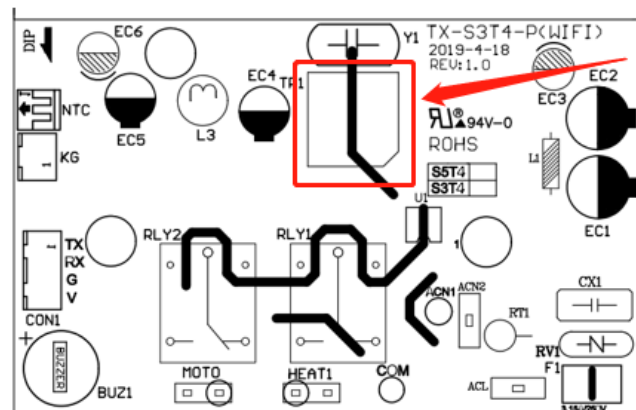


Before change

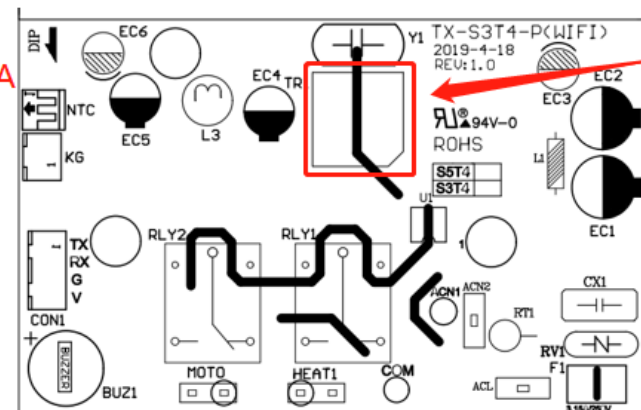


After the change

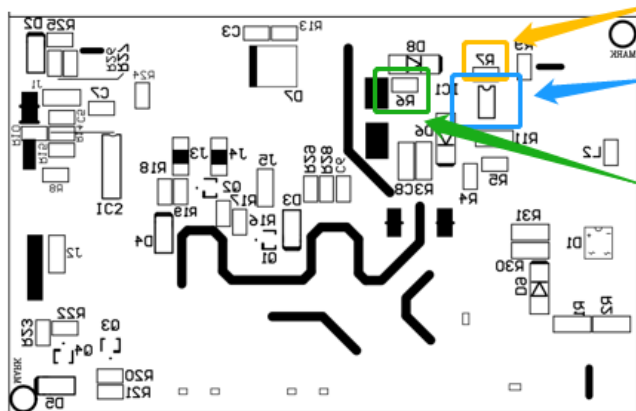
三、 Comparison before and after the Power board change



变压器丝印
QLK-EE13-257A



变压器丝印
QLK-EE13-257A· (字母A后面带点)

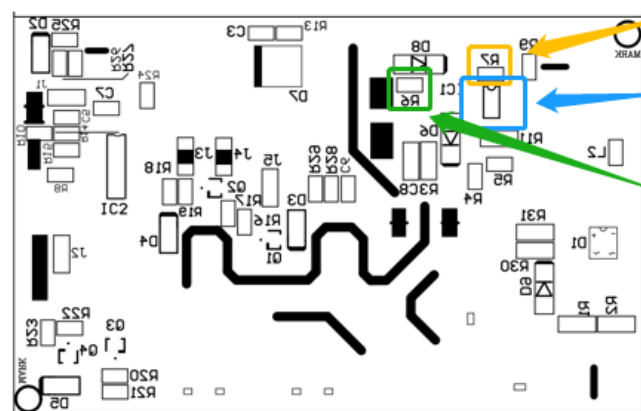


2701电阻

CX7501芯片

1912电阻

Before change



3001电阻

CX7502芯片

1802电阻

After the change

三、 Comparison before and after the Power board change

变更前 Before change			变更后 After the change		
4030064	QLK-EE-13-257A	TR1	4030118	EE13骨架 1.8mH 立式5+5 (GC-E130813) 丝印QLK-EE-13-257A (字母A后面加点)	TR1
1060269	R-0805-K-1912-F-T	R6	1060144	R-0805-K-1802-F-T	R6
1060085	R-0805-K-2701-F-T	R7	1060214	R-0805-K-3001-F-T	R7
3050666	CX7501 (SOP-7)	IC1	3052330	CX7502 (SOP-7)	IC1



THANKS

浙江精体电子科技有限公司