



## SPECIFICATIONS FOR APPROVAL

Customer Name: \_\_\_\_\_

Product Name: 2.4GHz Antenna

Product Model: \_\_\_\_\_

Part Number: LJW01-17091602-R0A

Write By : Huxuwen

Issued Date: 2021-04-08

### CUSTOMER

ENGINEER R&D DEPT	BUSSINESS DEPT	APPROVAL

### LEJIN

R&D DEPT	ENGINEER DEPT	APPROVAL

REV	MODIFIED DESCRIPTION	DATE	REMARK
V1.0	Initial Draft Release	2021/04/08	



## Index

1. Cover	1
2. Index	2
3. Product Specification	3
4. Test Equipment & Conditions	3
5. Test Report	4
6. Reliability Test	5
7. Assemble type	6
8. Product Drawing	8





## 5. Test Report

### 5.1 Voltage Standing Wave Ratio(VSWR).

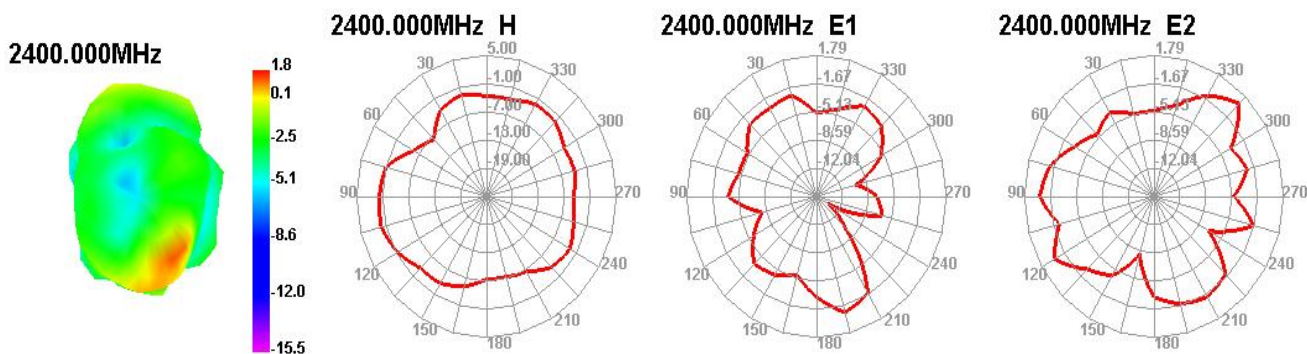


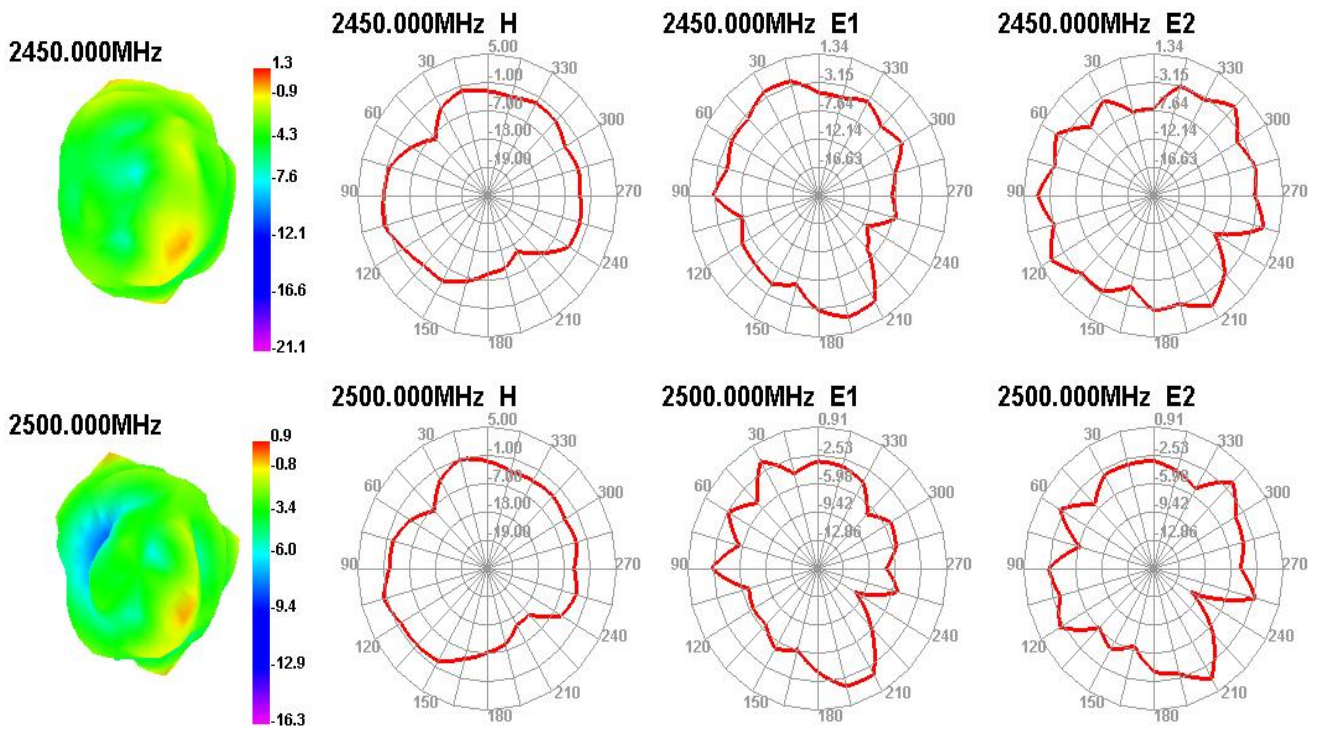
Chart 2 VSWR

### 5.2 Efficient and gain.

Passive Test For WIFI 2.4G	Freq(MHz)	2400	2410	2420	2430	2440	2450	2460	2470	2480	2490	2500
	Effi(%)	42.62	46.84	51.47	55.07	53.54	48.06	51.80	49.38	44.21	42.77	40.64
	Gain(dBi)	1.47	1.44	1.56	1.65	1.54	1.79	1.62	1.59	1.62	1.37	0.36

### 5.3 Radiation pattern.



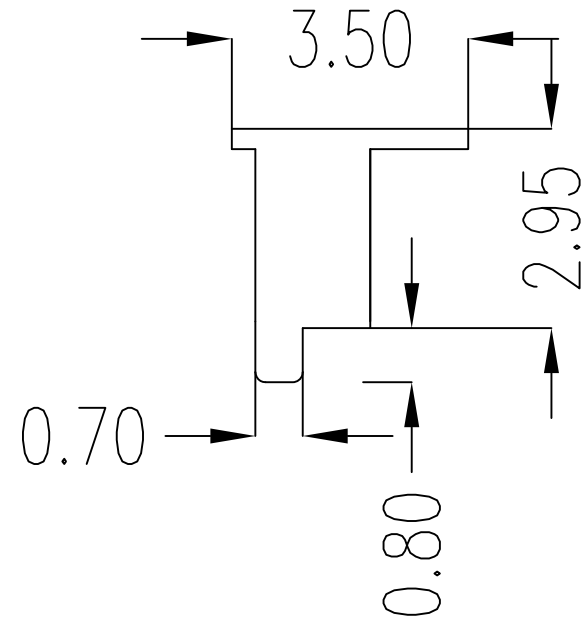
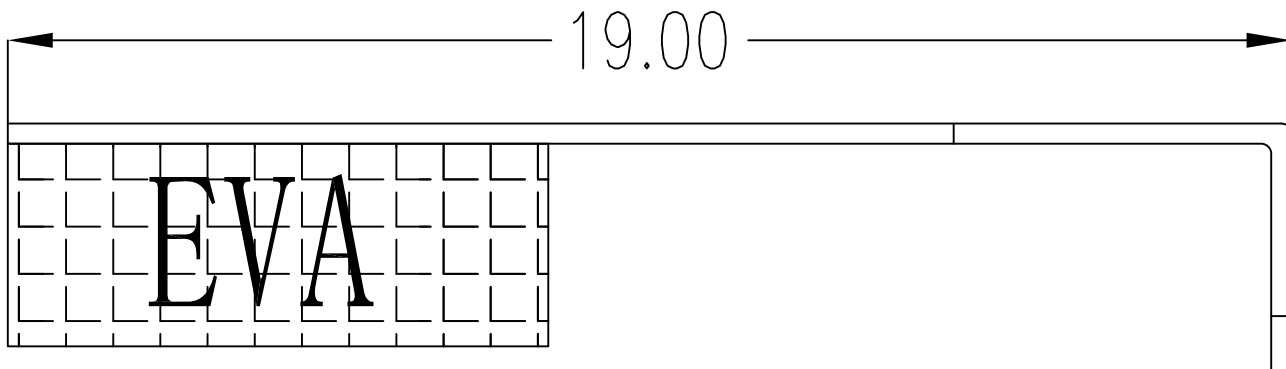
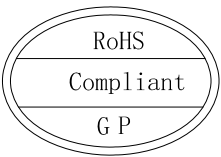


## 6. Reliability Test

Test Item	Test condition	Equipment	Specification	Result
1 Low Temp. Storage Test	Temperature: -30℃ , Time:48hrs Test condition: Placing antenna in a Low/High Temperature Chamber, keep the temp is 25℃ and humidity is 65% for one hour, then step-down the temp. to -30℃ in one hour, store antenna for44 hours; step-up temp to 25℃,test antenna after 2 hours.	Temp.&Hu mi. Tester	No material deformation is allowed. Electronic Performance is ok .	PASS
2 High Temp./High Humid Storage Test	Temperature: 85℃ Humidity: 85% RH Time:48hrs Test condition: Placing antenna in a Low/High Temperature Chamber, keep the temp is 25℃ and humidity is 65% for one hour, then step-up the temp. to 80℃ and the humidity up to 85% in one hour, store antenna for 44 hours; step-down temp to 25℃ ,test antenna after 2 hours.	Temp.&Hu mi. Tester	No material deformation is allowed. Electronic Performance is ok .	PASS
3 Salt-Spray 6 pray Test	Placing antenna in the Salt-Spray Tester ,set the test condition , Temp: 35±2℃ Humidity: 85% NaCl salt spray :5±1%.PH value :6.5~7.2 Testtime:24hours	Salt-Spray Tester	No color change No appear rusting	PASS

## 7. Assemble type(omitted)

## 8. Product Drawing



深圳乐进射频科技有限公司  
SHEN ZHEN LEJIN RADIO FREQUENCY CO., LTD

	Third Angle	Project	LJW01-17091602-ROA	Date	2017-09-16					
0~10	±0.05	○	0.02	Part Name	2.4G-WIFI-ANT		Designed by			
10~18	±0.10	◎	∅0.03	Part No.			Checked by	MD		
18~30	±0.12	⊥	0.02	Material	洋白铜			RF		
30~40	±0.15	∕	0.04	Treatment	LJW01-17091602-ROA		Approved by			
40~	±0.20	Angle	±0.5°	Location	Unit	mm	Scale	FIT	Rev	A

A	New drawing				
Rev	Description	Date	Remark		